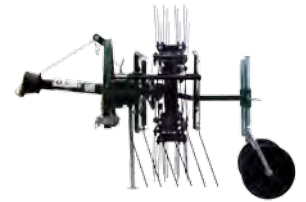
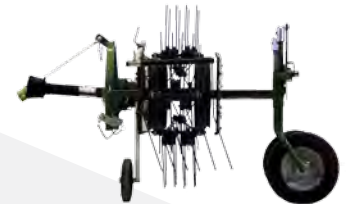


TX78
TX78 MINI BELT RAKE



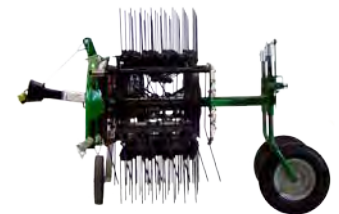
TXP78
TXP78 PINE STRAW BELT RAKE



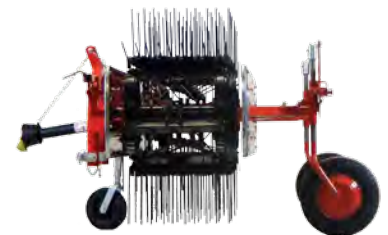
TS96
TS96 COMPACT BELT RAKE



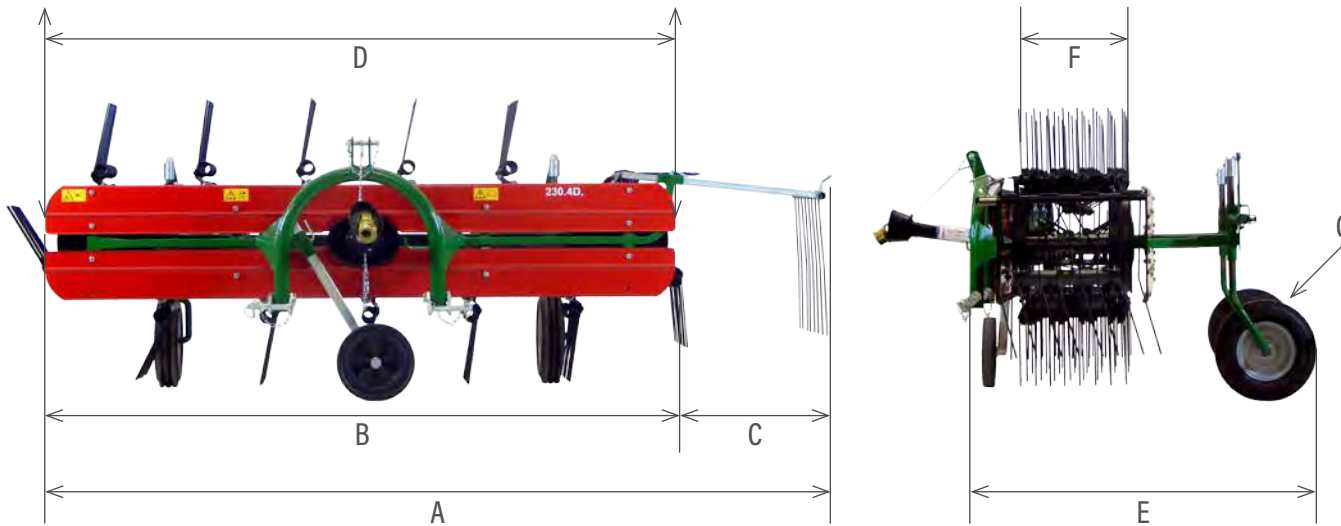
TM120
TM120 BELT RAKE



TL150
TL150 BELT RAKE



BELT RAKES



Tractor Tools Direct is proud to offer a high-quality, durable line of belt rakes manufactured by Molon of Italy. Belt rakes are simple in design, meaning they are easy to use, trouble free, and very low-maintenance. Originally designed for raking hay into windrows, belt rakes work equally well for raking pine straw, leaves, and for many other applications. They save space in the barn and money in your wallet by taking the place of two implements, easily converting to a tedder with the simple removal of the hay stop. Their compact, low profile design means you can rake in places that used to be considered too confined for conventional tractor-driven rakes. With their minimal power requirement and light weight, belt rakes can be operated by any size tractor with a PTO and 3 point hitch. Tractor Tools Direct offers 5 different models with widths from 5 to 12.5 feet so you can be sure to find one that is perfect for your operation!

	MODEL	TX38 MINI	TXP78	TS96	TM120	TL150
A	WORKING WIDTH, RAKING	5' to 6'-6"	5' to 6'-6"	6'-6" to 8'-6"	8' to 10'	10' to 12'-6"
B	WORKING WIDTH, TEDDING	4'	4'	5' to 6'	7'	9'
C	WINDROW WIDTH	1'-6" to 3'	1'-6" to 3'	2' to 3'-6"	2' to 3'-6"	2' to 4'-6"
D	TRANSPORT WIDTH	5'-2"	5'-5"	7'-4"	8'-8"	10'-8"
E	DEPTH	3'-5"	4'-4"	4'-8"	4'-8"	5'-1"
F	DOUBLE TEETH PER ROW	2	2	3	4	5
G	TIRE SIZE (WIDTH X DIAMETER)	2" x 11"	3.5" x 8"	3.5" x 8"	3.5" x 8"	16" x 6.5" to 8"
	TIRE	solid rubber	pneumatic 4 ply	pneumatic 4 ply	pneumatic 4 ply	pneumatic 6 ply



TM120 BELT RAKE.