

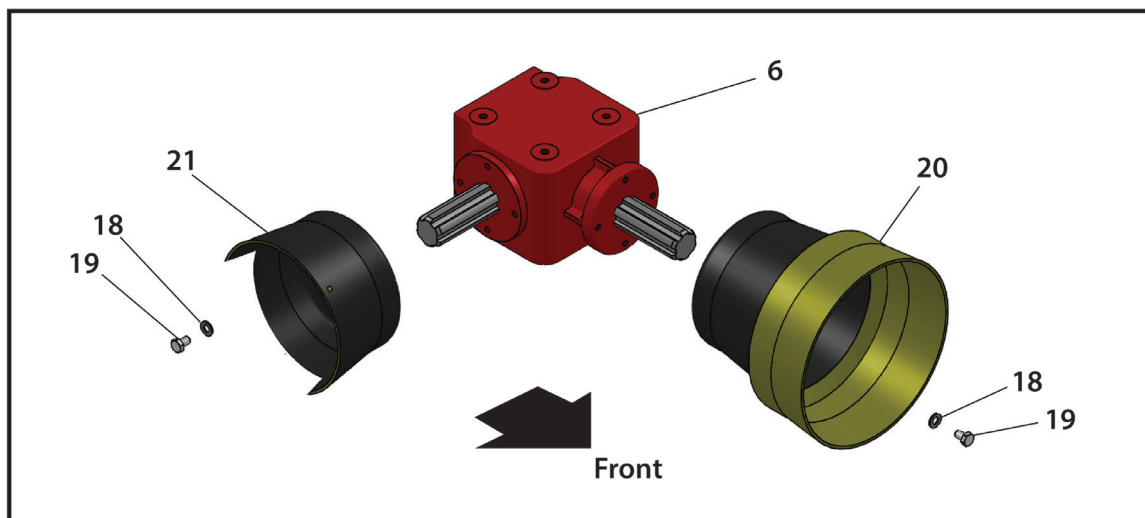
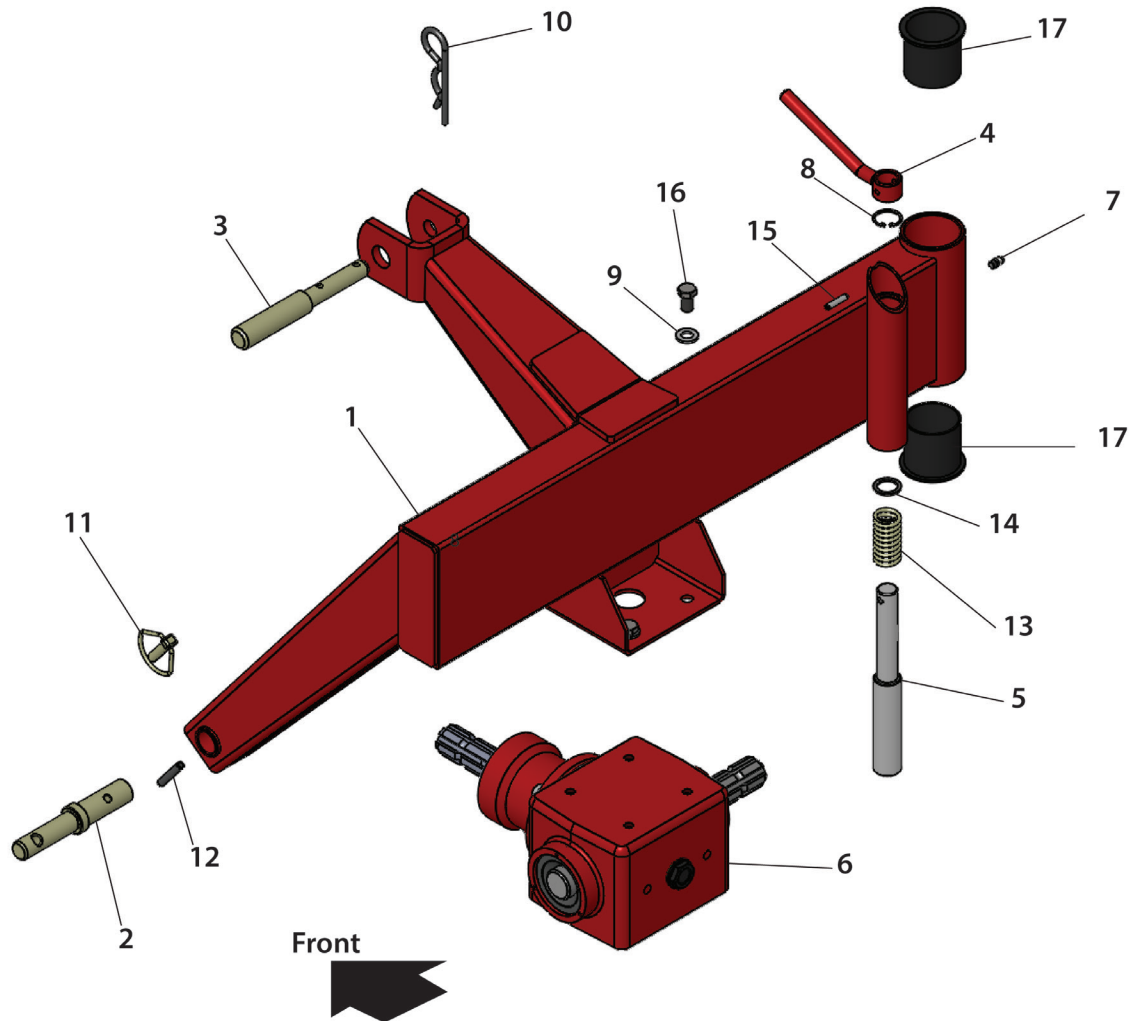


Parts Manual

Model: IBEX TS51C Drum Mower
with Conditioner



1. 3 POINT HITCH & 90 DEGREE GEARBOX

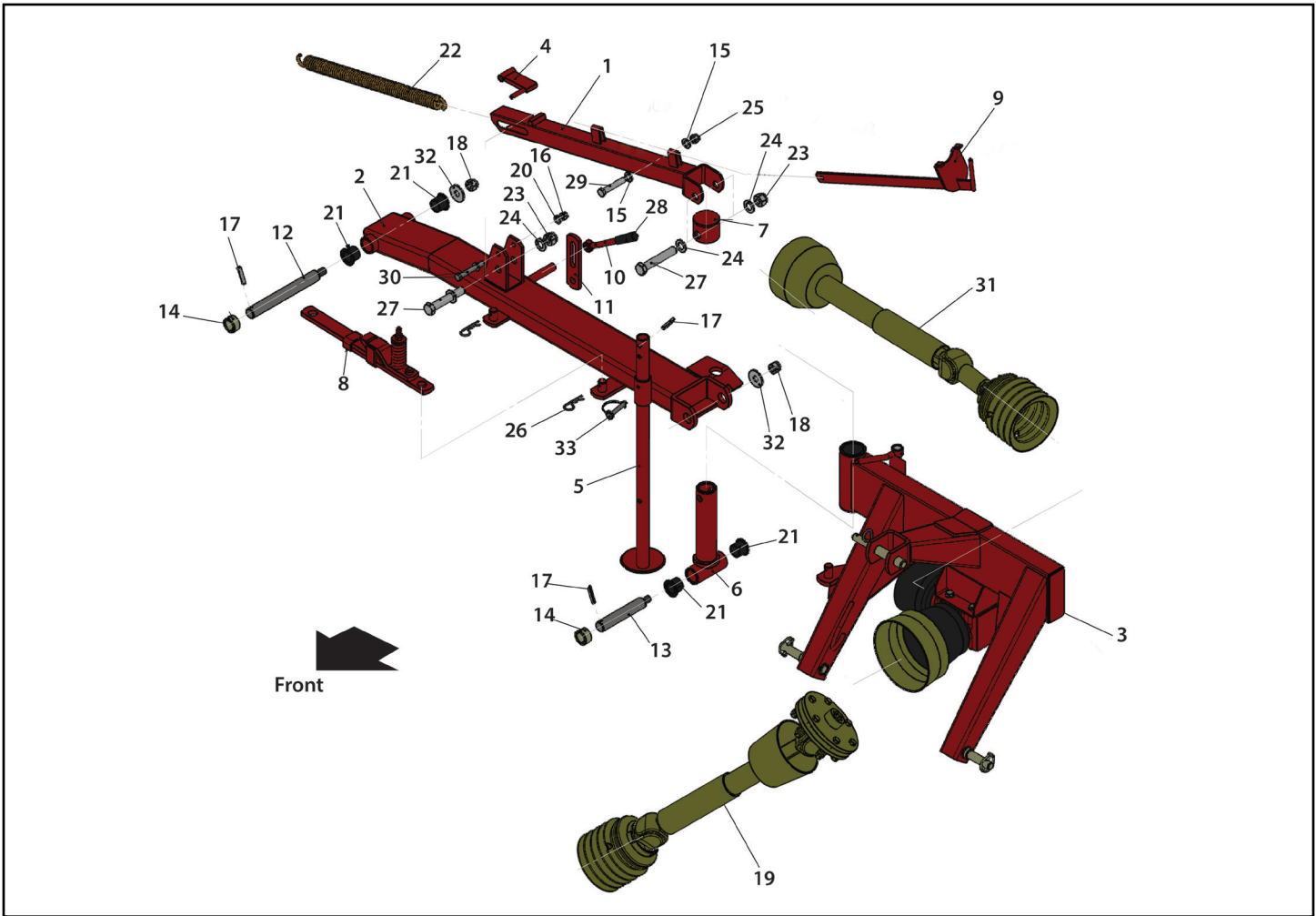


1. 3 POINT HITCH & 90 DEGREE GEARBOX



Ref.	Part No.	Description	Qty
1	PSGA000039	3-POINT HITCH	1
2	PSGA000047	CATEGORY 1 PIN	2
3	PSGA000049	TOP LINK PIN	1
4	PSGA000056	HANDLE	1
5	PSGA000057	PIVOT PIN	1
6	PSGA000061	90 DEGREE GEARBOX ASSEMBLY (TS51C)	1
7	PSGA600027	GREASE FITTING (M8X1)	1
8	PSGA600048	SNAP RING (M30 INTERNAL)	1
9	PSGA600134	CRIMPED SPRING WASHER (M12)	4
10	PSGA600405	"R" CLIP	1
11	PSGA600406	SNAP PIN	2
12	PSGA600407	ROLL PIN (M8X50)	2
13	PSGA600408	COMPRESSION SPRING	1
14	PSGA600409	WASHER	1
15	PSGA600410	ROLL PIN (M6X30)	1
16	PSGA600413	BOLT (M12X20)	4
17	PSGA600414	SYNTHETIC BUSHING WITH COLLAR	2
18	PSGA600266	FLAT WASHER (M6)	8
19	PSGA600458	BOLT (M6X15)	8
20	PSGA600136	LARGE PROTECTION COVER	1
21	PSGA600128C	PROTECTION COVER WITH CUTOUT	1

2. 3 POINT HITCH & SUPPORT ARM



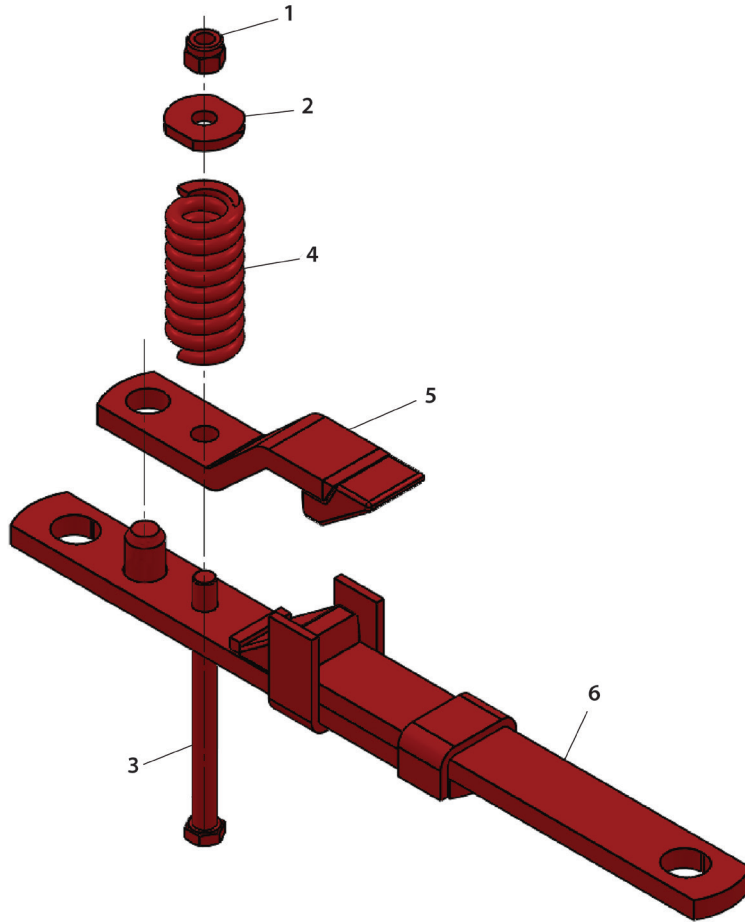
No.	Part No.	Name	Qty
1	PSGA000037	SPRING ARM	1
2	PSGA000038	MAIN SUPPORT FRAME SWING ARM	1
3	PSGA000041	MAIN 3-POINT HITCH ASSEMBLY	1
4	PSGA000043	TRANSPORT AND WORKING POSITION LOCKING PLATE	1
5	PSGA000051	STAND	1
6	PSGA000053	ARTICULATION PIVOT PIPE	1
7	PSGA000054	CAP FOR ARTICULATION PIVOT	1
8	PSGA000055	BREAKAWAY BAR ASSEMBLY	1
9	PSGA000058	BLADE REMOVAL TOOL	1
10	PSGA000059	TRANSPORT AND WORKING POSTIION LOCKING HANDLE	1
11	PSGA000060	PLATE WITH SLOTTED HOLE	1
12	PSGA000062	CENTRAL DRUM UNIT PIVOT PIN	1
13	PSGA000063	ARTICULATION PIVOT PIN	1
14	PSGA000064	STEEL BUSHING	2

2. 3 POINT HITCH & SUPPORT ARM



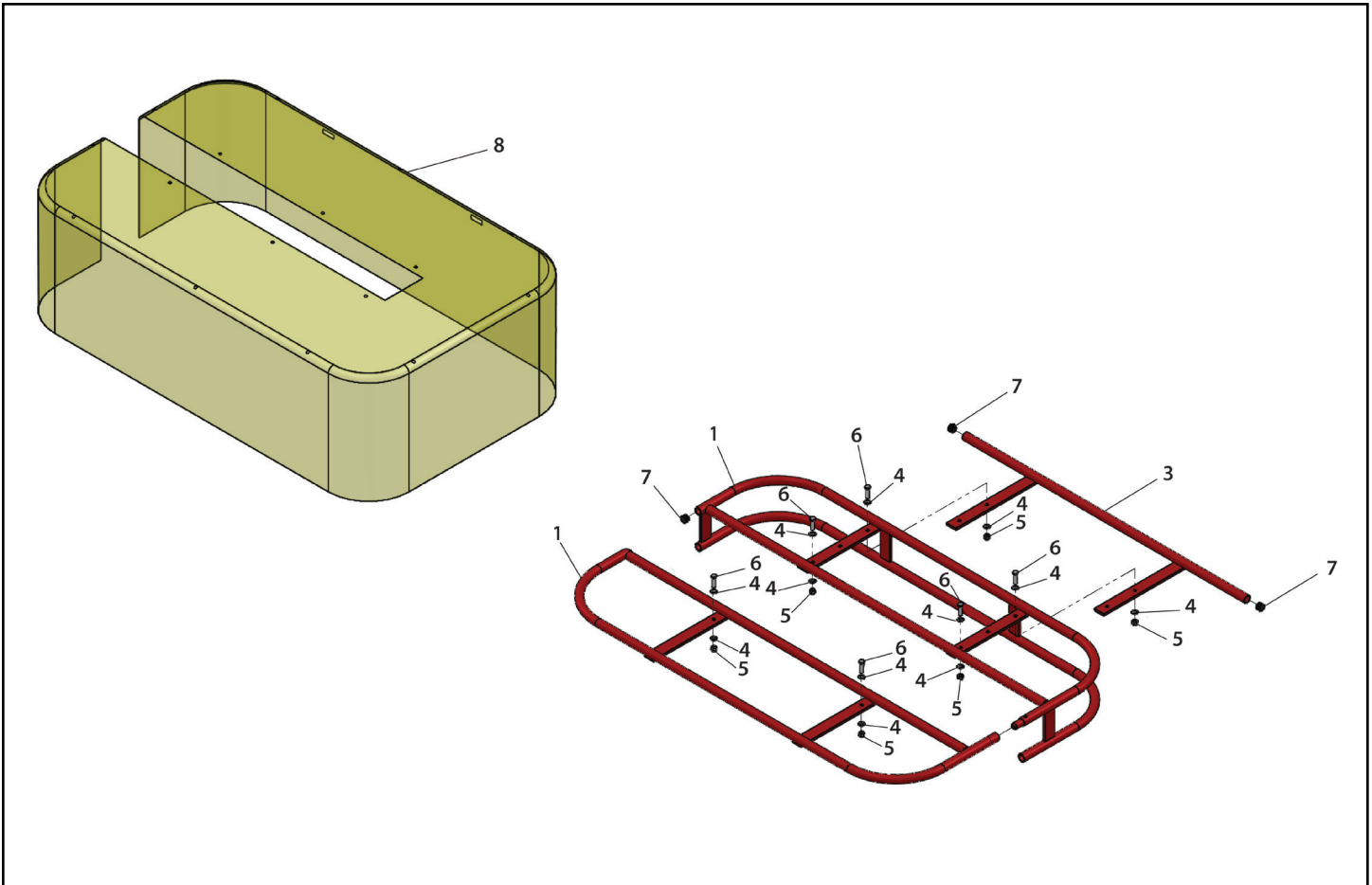
15	PSGA600010	FLAT WASHER (M14)	2
16	PSGA600017	LOCK NUT (M12)	1
17	PSGA600031	ROLL PIN (M10X50)	3
18	PSGA600042	LOCK NUT (M18)	2
19	PSGA600171	MAIN PTO SHAFT WITH SLIP CLUTCH	1
20	PSGA600209	FLAT WASHER (M12)	2
21	PSGA600400	BUSHING WITH COLLAR	4
22	PSGA600401	SUSPENSION SPRING	1
23	PSGA600402	LOCK NUT (M20)	2
24	PSGA600403	FLAT WASHER (M20)	4
25	PSGA600404	LOCK NUT (M14)	1
26	PSGA600415	"R" CLIP	2
27	PSGA600416	CAP BOLT (M20X120)	2
28	PSGA600418	RUBBER HANDLE	1
29	PSGA600419	BOLT (M14X80)	1
30	PSGA600420	BOLT (M12X90)	1
31	PSGA600421	INTERMEDIATE PTO SHAFT WITH FREE WHEEL CLUTCH	1
32	PSGA600422	FLAT WASHER (M16)	2
33	PSGA600423	SNAP PIN	1

3. BREAKAWAY BAR



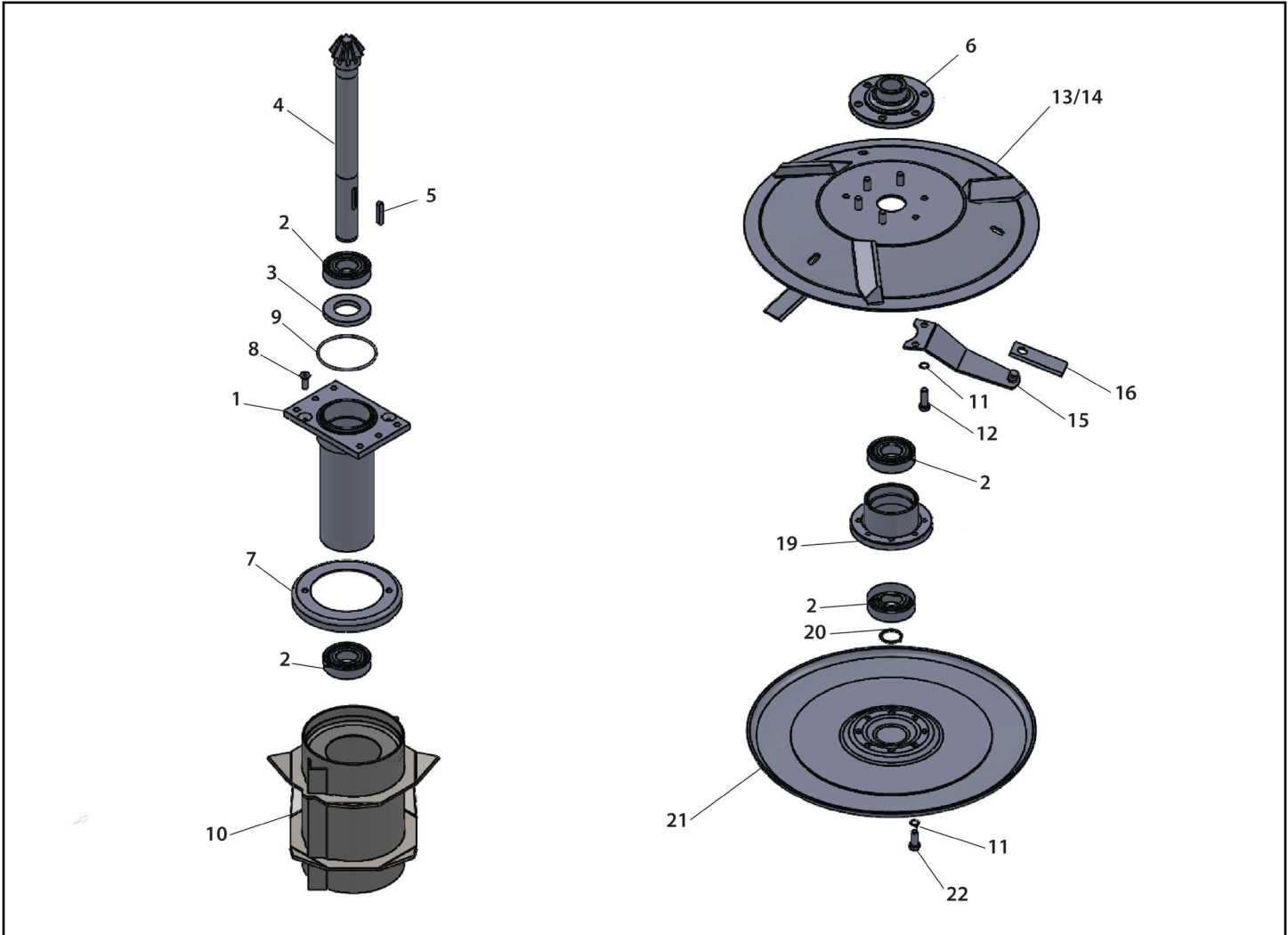
No.	Part No.	Name	Qty
1	PSGA600017	LOCK NUT (M12)	1
2	PSGA000093	WASHER PLATE (M12)	1
3	PSGA600424	BOLT (M12X150)	1
4	PSGA600425	SAFETY COMPRESSION SPRING	1
5	PSGA000067	LATCH PLATE	1
6	PSGA000066	BREAKAWAY BAR PLATE	1

4. PROTECTIVE CURTAIN & FRAME



No.	Part No.	Name	Qty
1	PSGA000096	FRONT PROTECTION GUARD FRAME	1
2	PSGA000097	REAR PROTECTION GUARD FRAME	1
3	PSGA000098	EXTERNAL FRONT BUMPER	1
4	PSGA600111	FLAT WASHER (M10)	16
5	PSGA600250	LOCK NUT (M10)	8
6	PSGA600449	BOLT (M10X35)	8
7	PSGA600450	PLASTIC CAP	3
8	PSGA600451	PROTECTIVE CURTAIN	1

5. DRUM UNIT



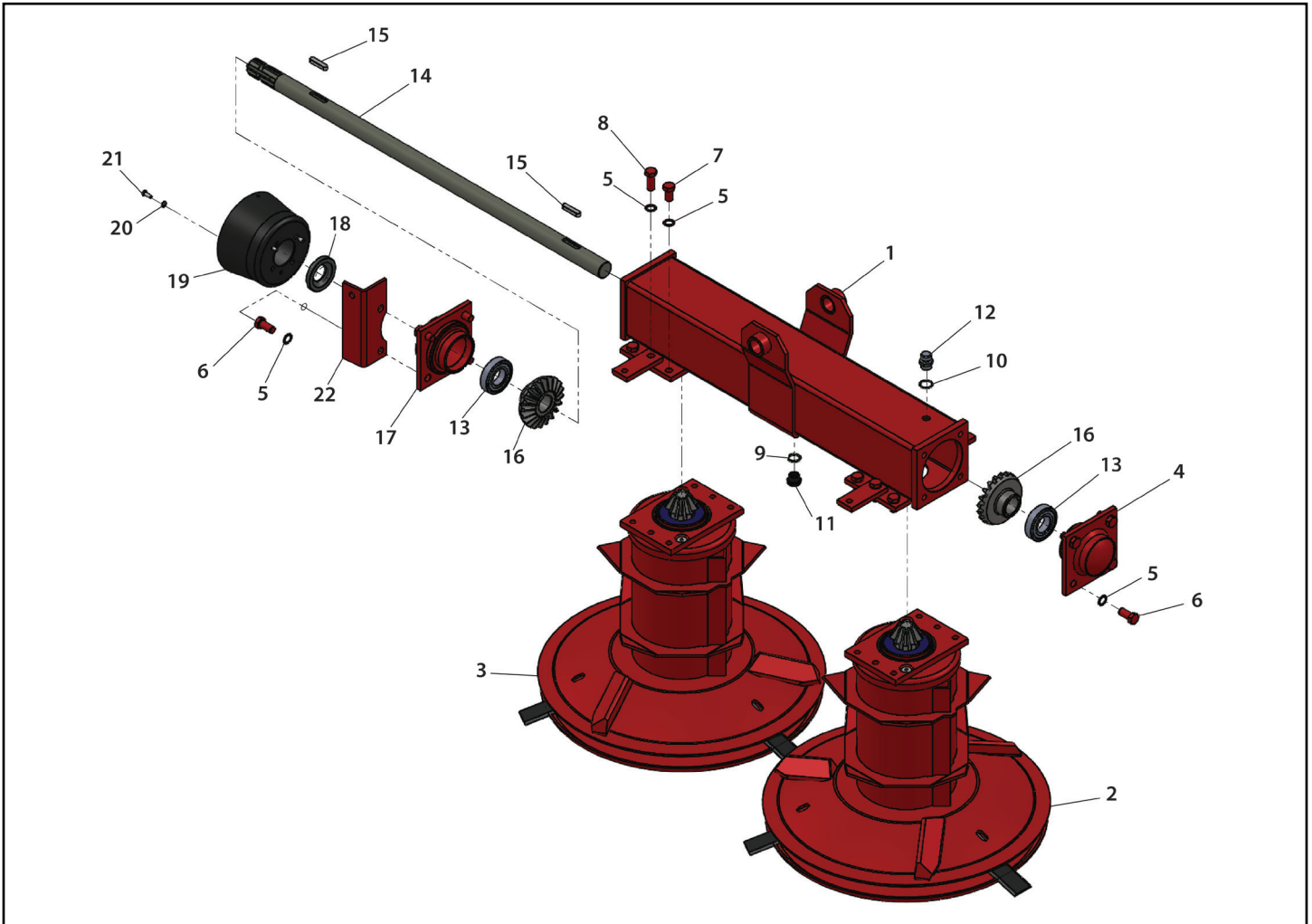
No.	Part No.	Name	Qty
1	PSGA000084	DRUM HOLDER WITH TOP PLATE	2
2	PSGA600109	BEARING	8
3	PSGA600442	OIL SEAL RING (10X50X90)	2
4	PSGA000085	PINION GEAR (Z9)	2
5	PSGA600443	PARALLEL KEY (M8X10X50)	2
6	PSGA000086	UPPER IDLE DISC SUPPORT FLANGE	2
7	PSGA000087	DRUM SEATED RING	2
8	PSGA600444	BOLT (M14X35)	4
9	PSGA600445	O-RING (114.6X107.54X3.53)	2
10	PSGA000214	DRUM UNIT HOUSING WITH CONDITIONING TINES	2
11	PSGA600126	CUP MILLED WASHER (M12)	20
12	PSGA600446	BOLT (M12X35)	12
13	PSGA000089	UPPER DISC LEFT	1
14	PSGA000094	UPPER DISC RIGHT	1
15	PSGA000090	CUTTING BLADE-HOLDER LEAF SPRING	6

5. DRUM UNIT



16	PSGADRBL	STRAIGHT BLADE	6
19	PSGA000091	LOWER IDLE DISC SUPPORT FLANGE	2
20	PSGA600447	SNAP RING (M40 EXTERNAL)	2
21	PSGA000092	LOWER SKID PLATE	2
22	PSGA600370	BOLT (M12X30)	8

6. DRUM UNIT TRANSMISSION



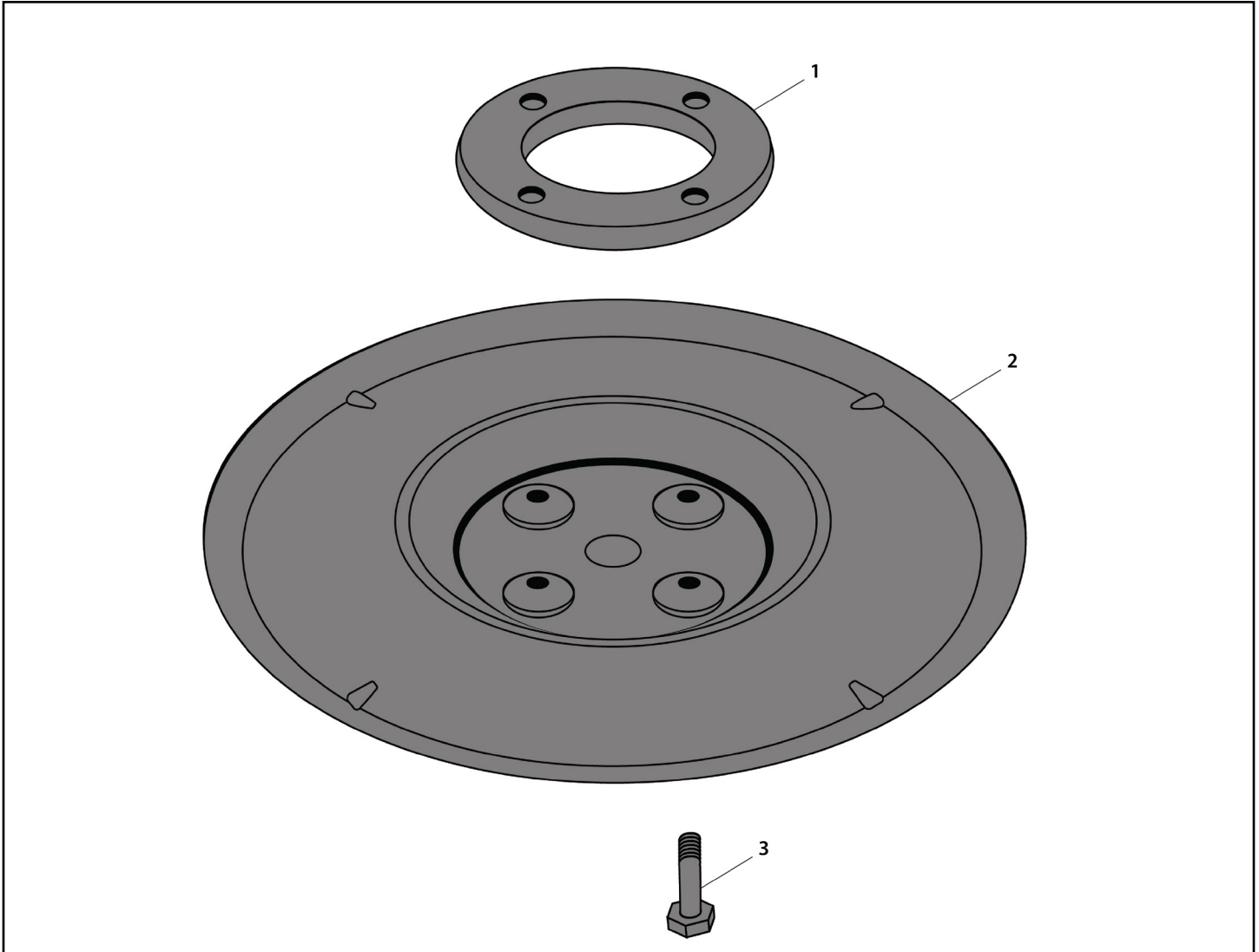
No.	Part No.	Name	Qty
1	PSGA000076	DRUM UNIT FRAME & OIL HOUSING	1
2	PSGA000083	RIGHT-SIDE/OUTER DRUM UNIT ASSEMBLY	1
3	PSGA000082	LEFT-SIDE/INNER DRUM UNIT ASSEMBLY	1
4	PSGA000077	END CAP FLANGE	1
5	PSGA600097	CUP MILLED WASHER	20
6	PSGA600437	BOLT (M14X30)	8
7	PSGA600438	BOLT (M14X25)	8
8	PSGA600439	BOLT (M14X35)	4
9	PSGA600432	RUBBER WASHER	1
10	PSGA600433	OIL BREATHER CAP COPPER WASHER	1
11	PSGA600434	OIL CAP PLUG	1
12	PSGA600435	OIL BREATHER CAP	1
13	PSGA600004	BEARING	2
14	PSGA000078	SPLINED TRANSMISSION SHAFT	1

6. DRUM UNIT TRANSMISSION



15	PSGA600436	PARALLEL KEY (M8X10X45)	2
16	PSGA000079	CROWN GEAR (Z20)	2
17	PSGA000080	SHAFT SUPPORT FLANGE	1
18	PSGA600002	OIL SEAL RING (35X72X10)	1
19	PSGA600128	PROTECTION COVER	1
20	PSGA600185	FLAT WASHER (M6)	3
21	PSGA600441	BOLT (M6X16)	3
22	PSGA000081	END SUPPORT PLATE	1

7. OPTIONAL LIFT KIT



No.	Part No.	Name	Qty
1	PSGA000215	LIFT KIT SPACER	2
2	PSGA000216	LOWER LIFT KIT SKID PLATE	2
3	PSGA600476	LONGER LIFT KIT BOLT (M12X60)	8