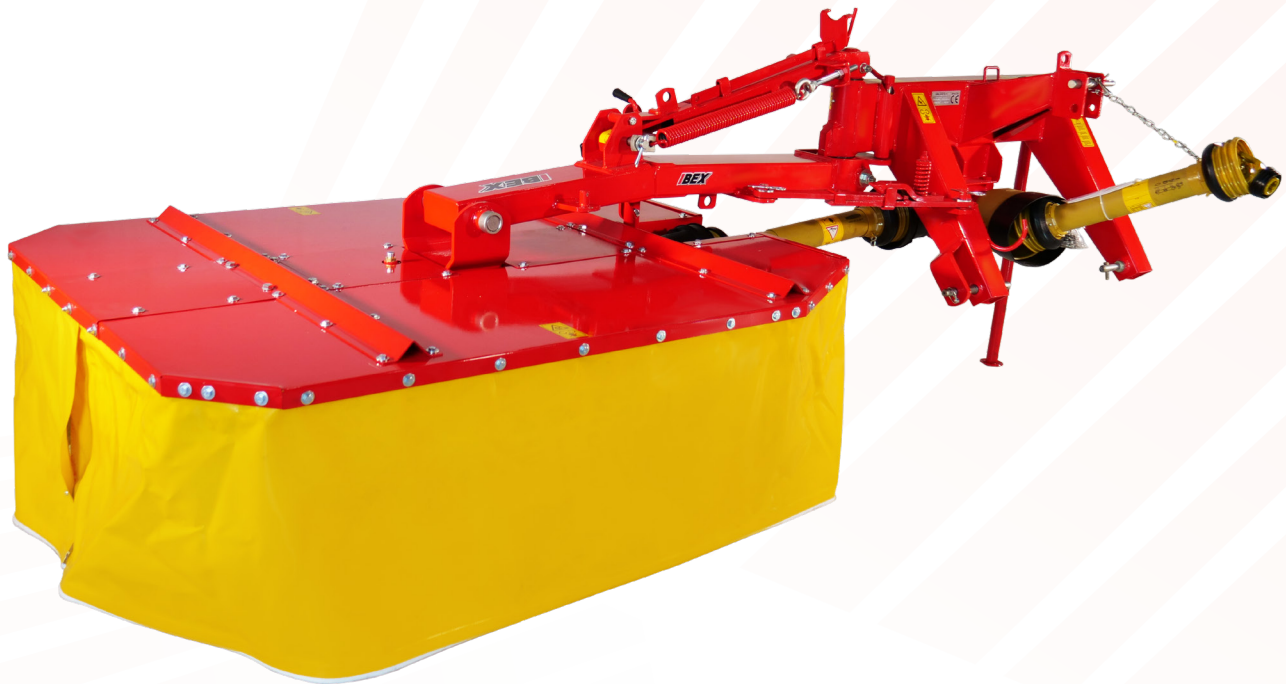


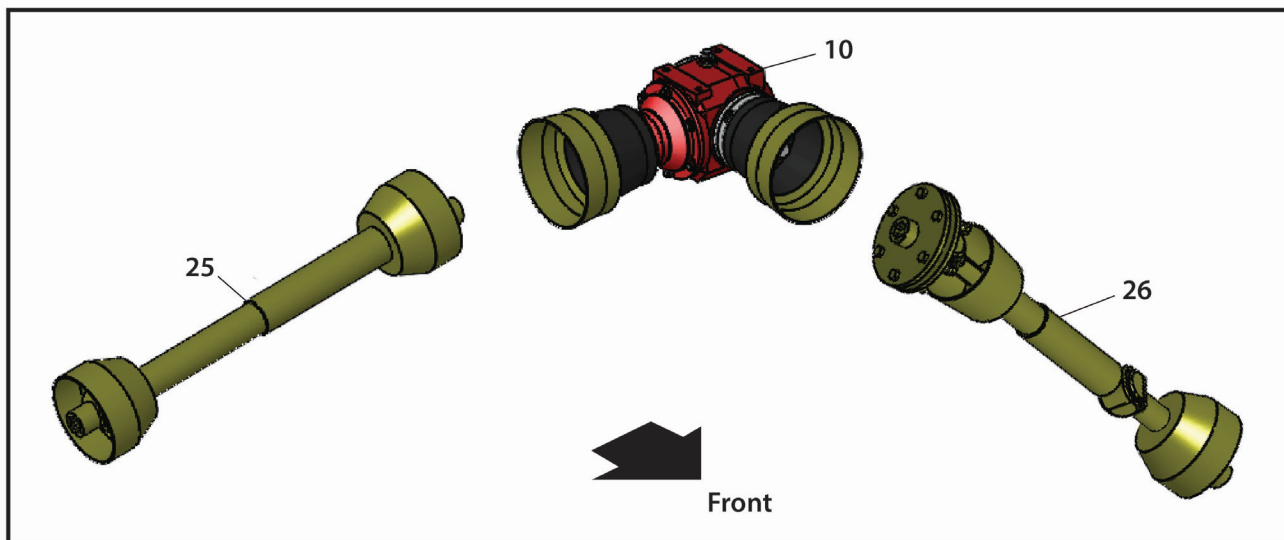
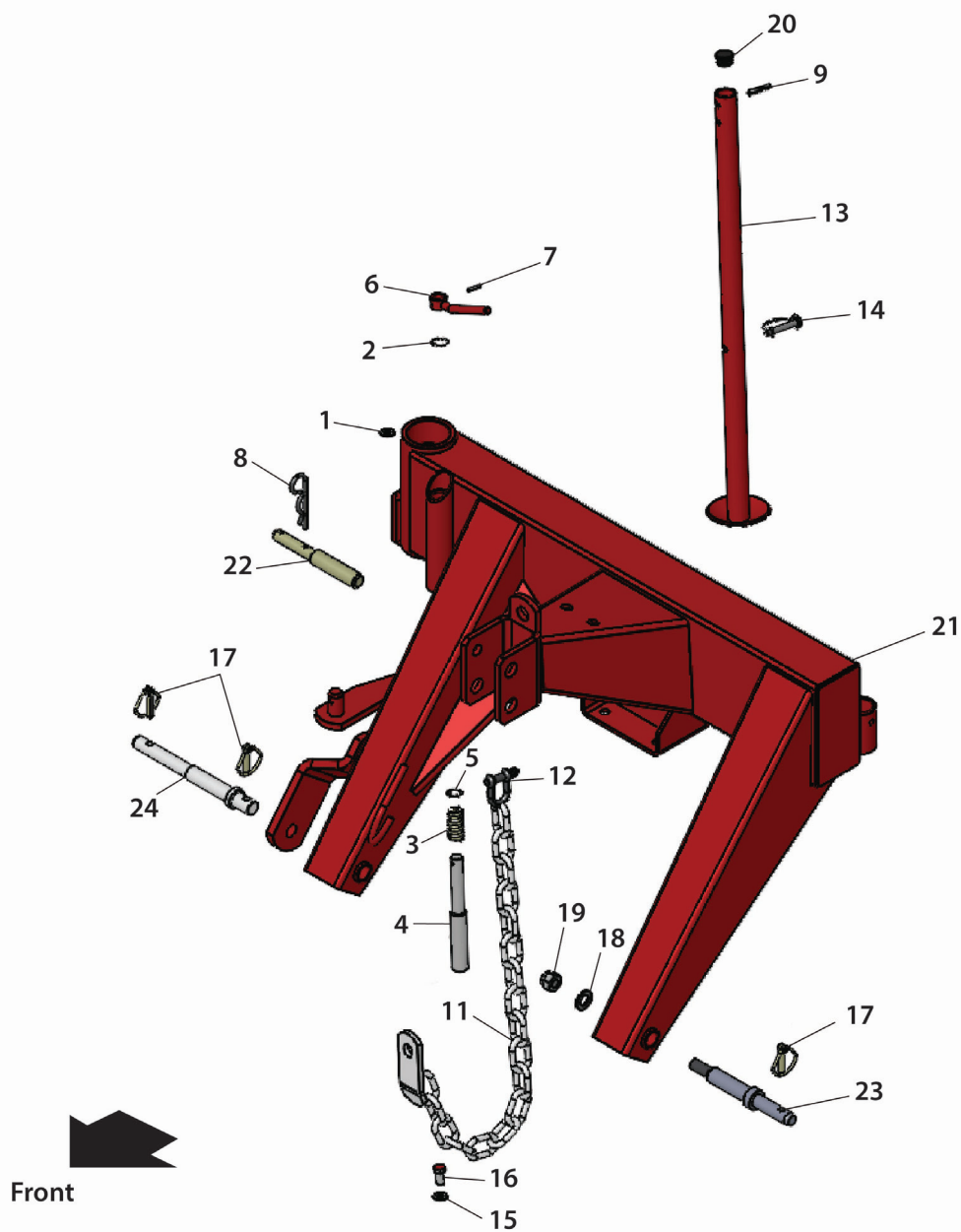


# Parts Manual

Model: IBEX TL75C Drum Mower  
with Conditioner



# 1. 3 POINT HITCH

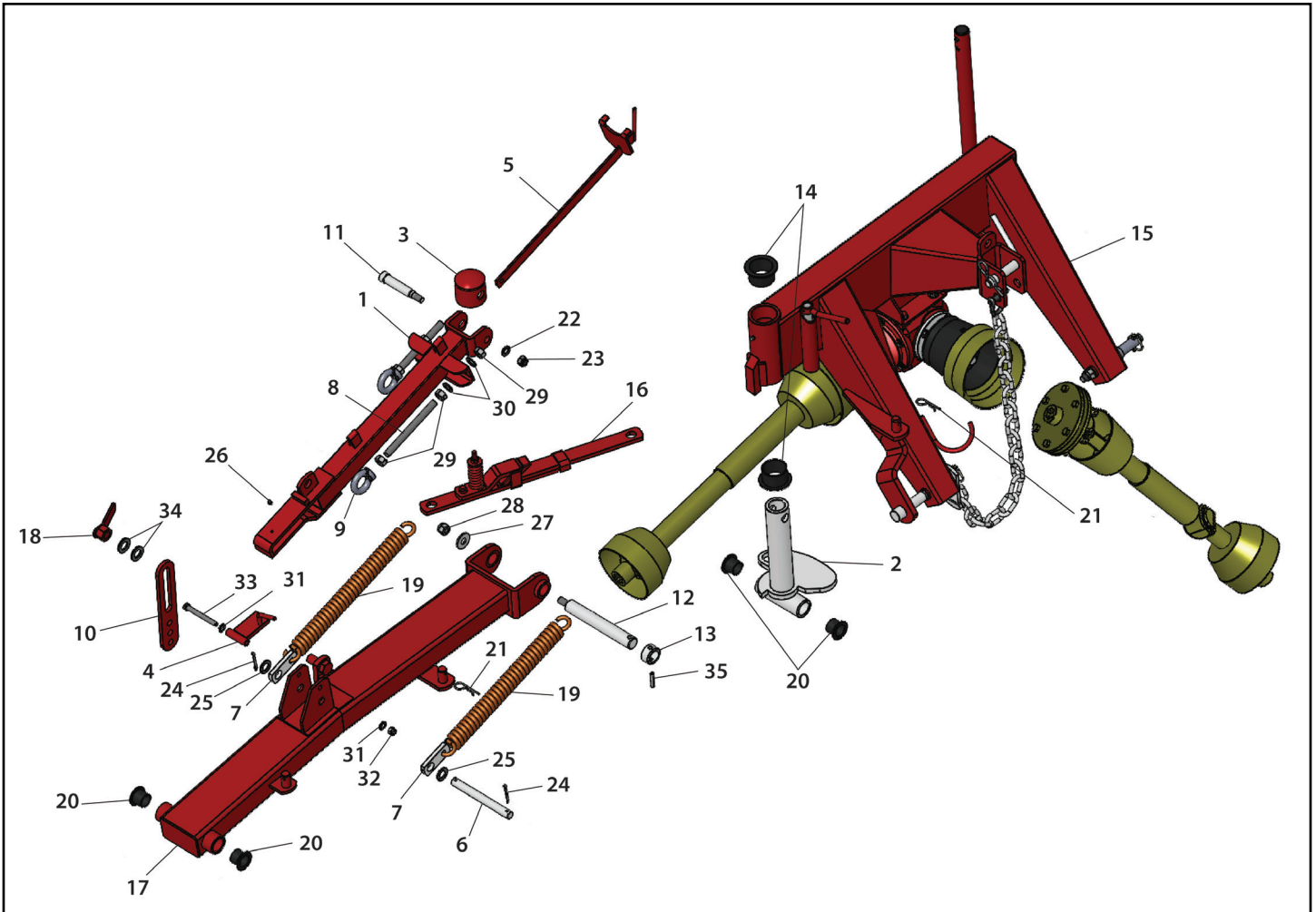


# 1. 3 POINT HITCH



Ref.	Part No.	Description	Qty
1	PSGA600027	GREASE FITTING (M8X1)	1
2	PSGA600048	SNAP RING (INTERNAL) (M30)	1
3	PSGA600408	TRANSPORT AND LOCKING PIN COMPRESSION SPRING	1
4	PSGA000057	TRANSPORT AND LOCKING PIN	1
5	PSGA600409	TRANSPORT AND LOCKING PIN WASHER	1
6	PSGA000056	TRANSPORT AND LOCKING PIN HANDLE	1
7	PSGA600410	SPRING PIN (M6X30)	1
8	PSGA600405	"R" CLIP (5.6)	1
9	PSGA600031	SPRING PIN (M10X50)	1
10	PSGA000232	GEAR BOX ASSEMBLY	1
11	PSGA000318	SUPPORT CHAIN WITH PLATE	1
12	PSGA600484	SUPPORT CHAIN SHACKLE (D12)	1
13	PSGA000280	STORAGE STAND	1
14	PSGA600423	SNAP PIN (D10XL70)	1
15	PSGA600010	FLAT WASHER (M14)	4
16	PSGA600438	BOLT (M14X25)	4
17	PSGA600406	SNAP PIN (D10XL46)	3
18	PSGA600043	FLAT WASHER (M18)	1
19	PSGA600042	LOCK NUT (M18)	1
20	PSGA600191	CAP	1
21	PSGA000359	(CAT.1) 3-POINT HITCH FRAME	1
22	PSGA000049	(CAT.1) TOP LINK PIN	1
23	PSGA000360	LEFT HAND (CAT.1) LOWER LIFT PIN	1
24	PSGA000361	RIGHT HAND (CAT.1) LOWER LIFT PIN	1
25	PSGA600500	FREE WHEEL INTERMEDIARY PTO SHAFT	1
26	PSGA600498	SLIP CLUTCH PRIMARY PTO SHAFT	1

# 2. 3 POINT HITCH & SUPPORT ARM



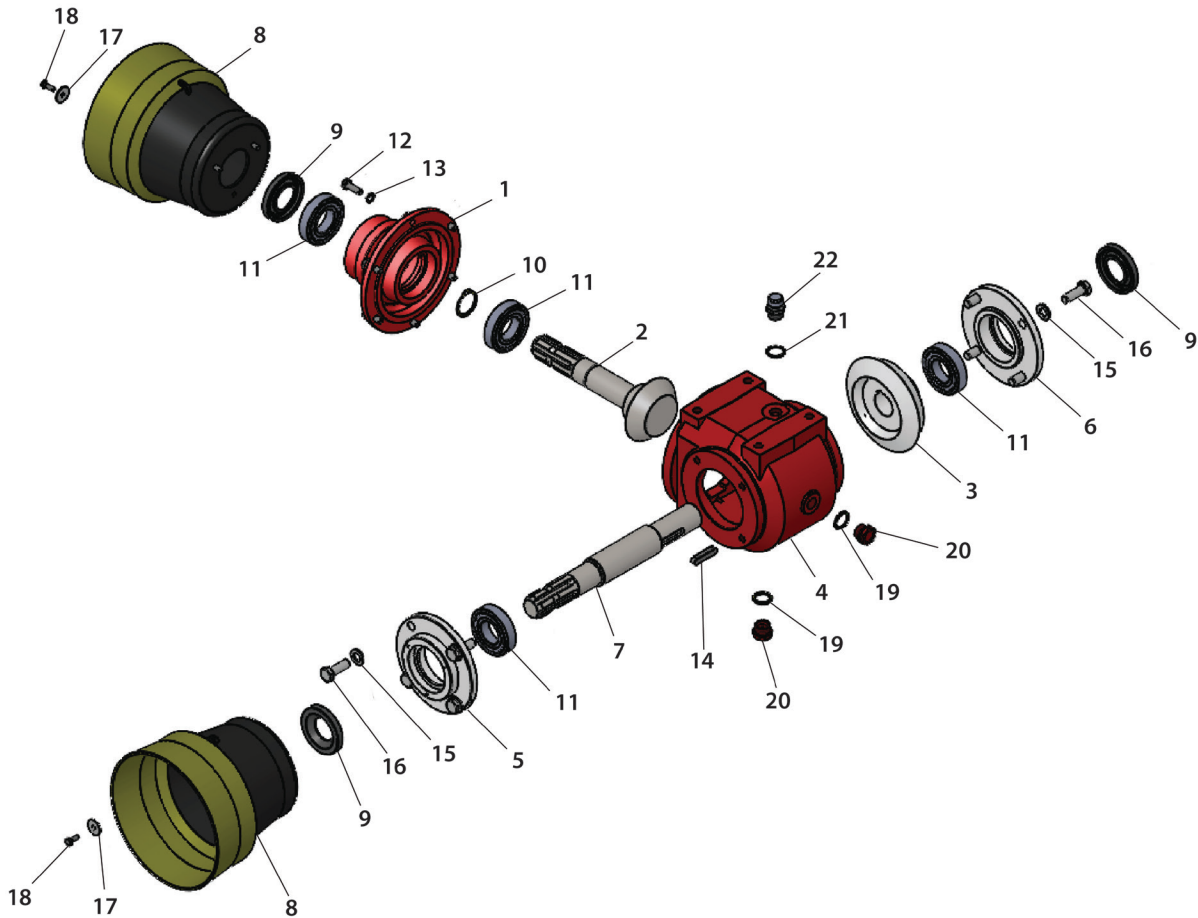
No.	Part No.	Name	Qty
1	PSGA000240	SUSPENSION SPRING ARM	1
2	PSGA000251	ARTICULATION PIVOT	1
3	PSGA000256	CAP FOR ARTICULATION PIVOT	1
4	PSGA000279	OSCILLATION-LOCKING PLATE	1
5	PSGA000058	BLADE REMOVAL TOOL	1
6	PSGA000266	SUSPENSION SPRING PLATE PIVOT PIN	1
7	PSGA000267	SUSPENSION SPRING PLATE	2
8	PSGA000274	THREADED BAR (M18)	2
9	PSGA600481	FEMALE EYEBOLT (M18)	2
10	PSGA000269	SLOTTED HOLE PLATE	1
11	PSGA000273	SUSPENSION ARM PIVOT PIN	1
12	PSGA000272	MAIN SWING ARM PIVOT PIN	1
13	PSGA000268	RETAINING BUSHING	1
14	PSGA600306	SYNTHETIC BUSHING WITH COLLAR	2

## 2. 3 POINT HITCH & SUPPORT ARM



15	PSGA000359	(CAT.1) 3-POINT HITCH FRAME	1
16	PSGA000252	BREAKAWAY BAR ASSEMBLY	1
17	PSGA000239	SUPPORT FRAME	1
18	PSGA000355	TRANSPORT LOCKING HANDLE	1
19	PSGA600487	SPRING	2
20	PSGA600044	SYNTHETIC BUSHING WITH COLLAR	4
21	PSGA600415	"R" CLIP (D3-6)	2
22	PSGA600021	FLAT WASHER (M16)	1
23	PSGA600075	LOCK NUT (M16)	1
24	PSGA600238	ROLL PIN (M6X50)	2
25	PSGA600302	FLAT WASHER (M22)	2
26	PSGA600027	GREASE FITTING (M8X1)	1
27	PSGA600197	FLAT WASHER (M18X48X4)	1
28	PSGA600042	LOCK NUT (M18)	1
29	PSGA600210	NUT (M18)	6
30	PSGA600043	FLAT WASHER (M18)	4
31	PSGA600412	FLAT WASHER (M12)	2
32	PSGA600017	LOCK NUT (M12)	1
33	PSGA600156	BOLT (M12X110)	1
34	PSGA600035	FLAT WASHER (M24)	2
35	PSGA600031	SPRING PIN (M10X50)	1

# 3. 90 DEGREE GEARBOX



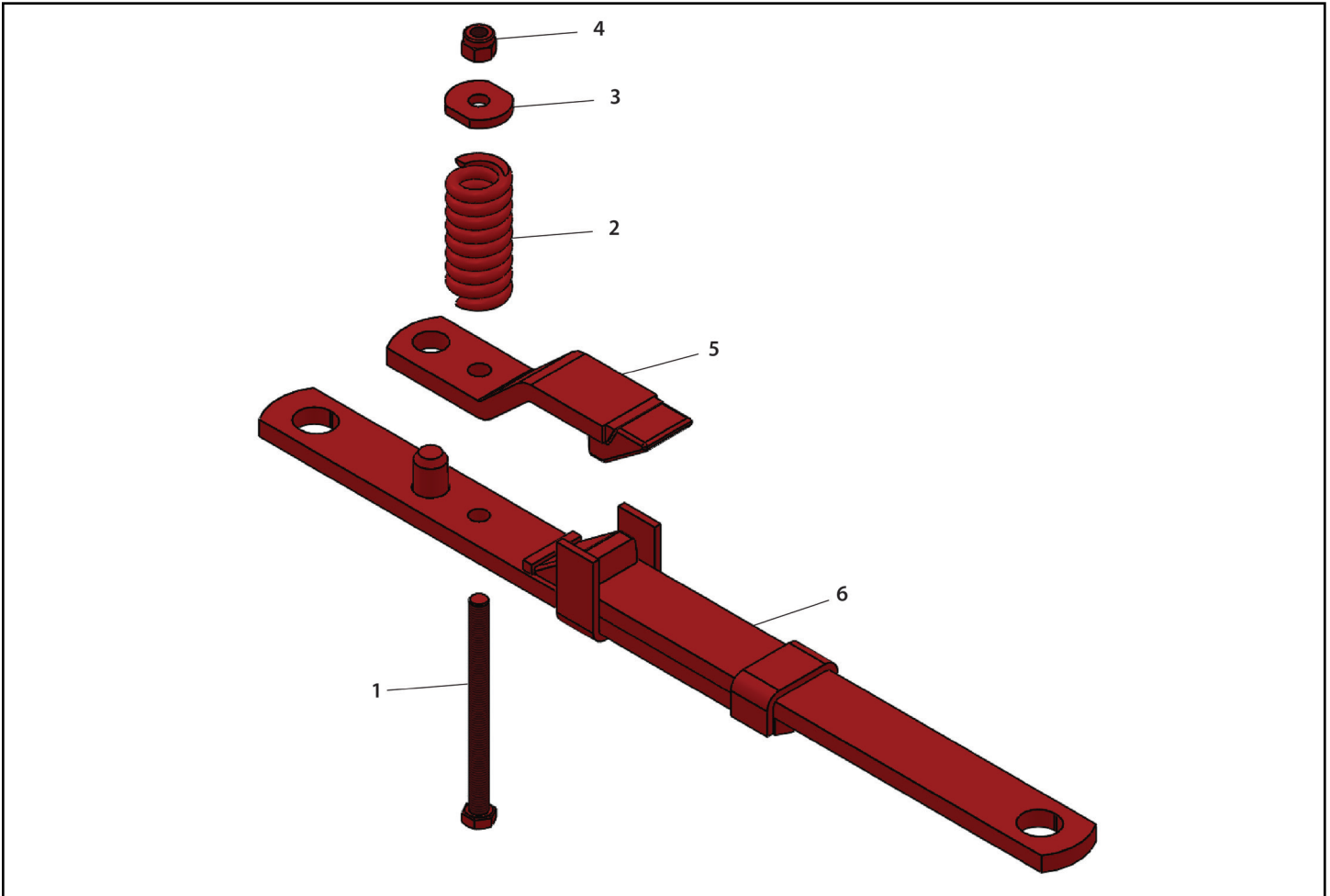
No.	Part No.	Name	Qty
1	PSGA000010	OUTPUT SHAFT HOUSING COVER	1
2	PSGA000011	PINION GEAR (Z12)	1
3	PSGA000012	CROWN GEAR (Z21)	1
4	PSGA000233	CASE HOUSING	1
5	PSGA000234	INPUT SHAFT FLANGE	1
6	PSGA000235	CASE END-CAP FLANGE	1
7	PSGA000236	INPUT SHAFT	1
8	PSGA600001	PTO SHAFT PROTECTION COVER	2
9	PSGA600002	OIL SEAL RING (35X72X10)	3
10	PSGA600003	EXTERNAL SNAP RING (M35)	1
11	PSGA600004	BEARING	3
12	PSGA600005	BOLT (M8X25)	6
13	PSGA600006	LOCK WASHER (M8)	6
14	PSGA600007	PARALLEL KEY (M8X10X45)	1
15	PSGA600412	FLAT WASHER (M12)	8
16	PSGA600446	BOLT (M12X35)	8
17	PSGA600392	FLAT WASHER (M6X24)	6

# 3. 90 DEGREE GEARBOX



18	PSGA600230	BOLT (M6X16)	6
19	PSGA600432	FIBER WASHER (1/2")	2
20	PSGA600434	PLASTIC CAP (1/2")	2
21	PSGA600433	COPPER WASHER (1/2")	1
22	PSGA600435	BREATHER CAP (1/2")	1

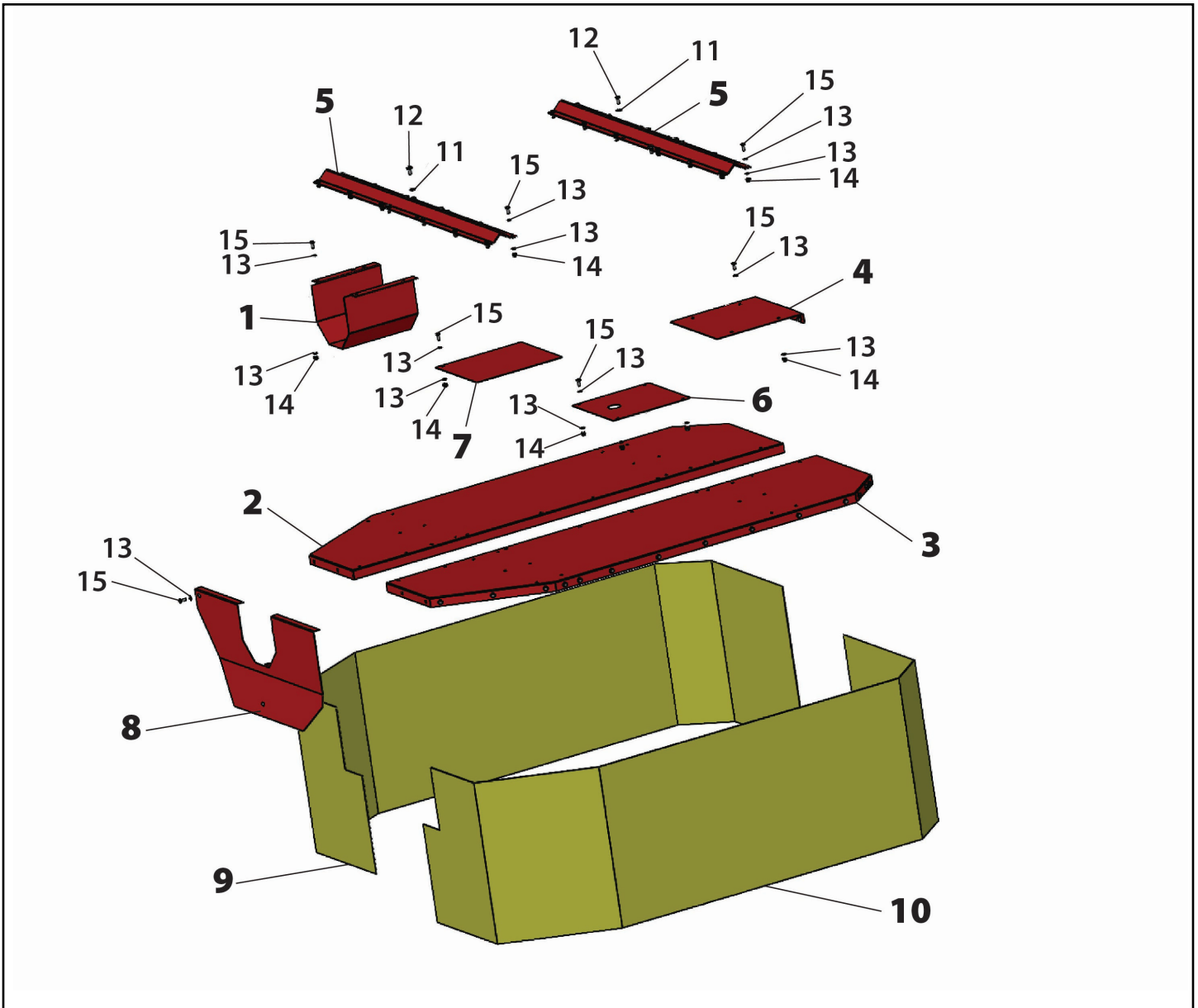
# 4. BREAKAWAY BAR



No.	Part No.	Name	Qty
1	PSGA600424	BOLT (M12X150)	1
2	PSGA600425	COMPRESSION SPRING	1
3	PSGA000093	WASHER (M12)	1
4	PSGA600017	LOCK NUT (M12)	1
5	PSGA000255	LATCH PLATE	1
6	PSGA000254	BREAKAWAY BAR PLATE	1



# 5. PROTECTIVE CURTAIN & FRAME



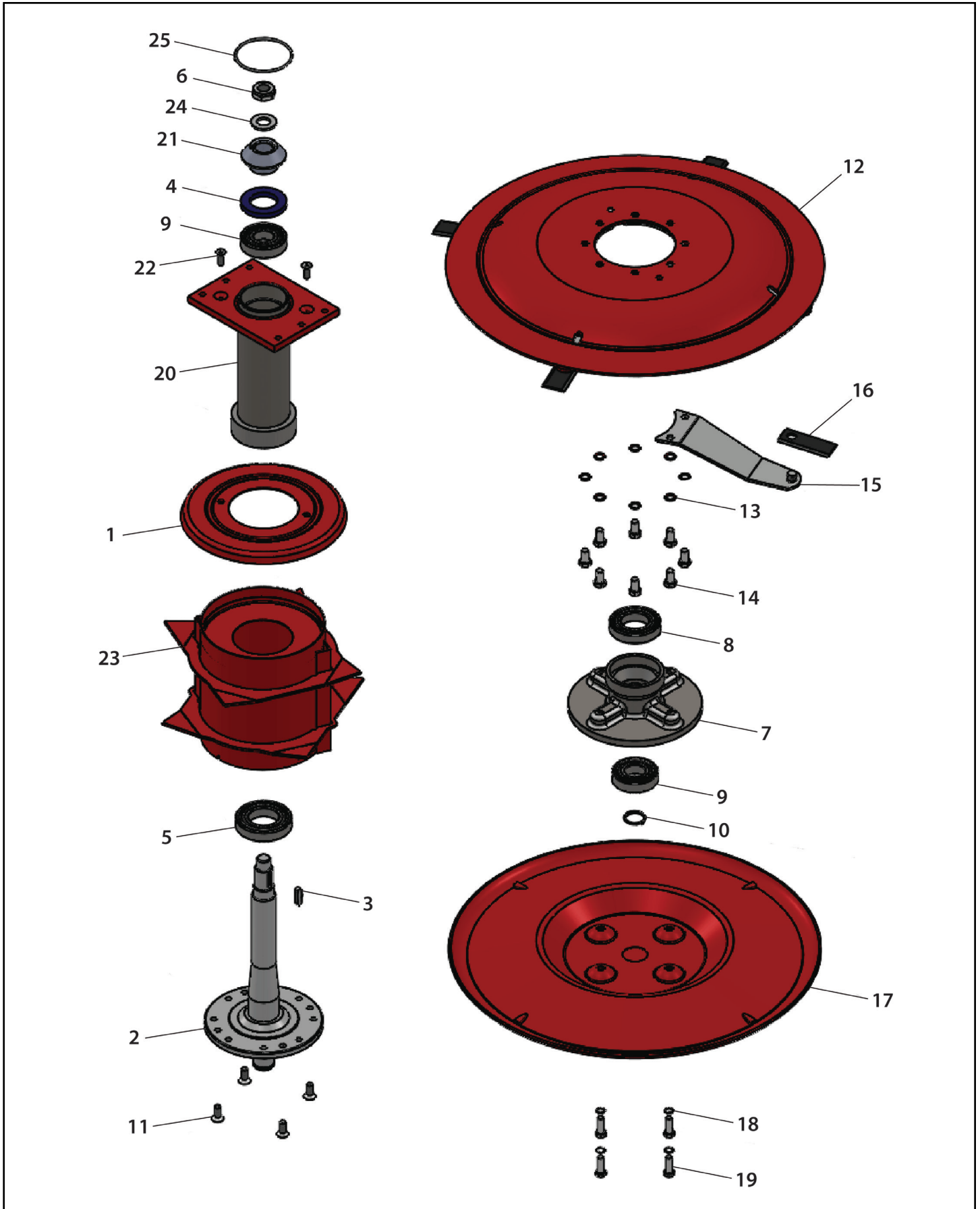
No.	Part No.	Name	Qty
1	PSGA000258	PTO SHAFT GUARD	1
2	PSGA000261	LEFT HAND UPPER PROTECTION GUARD	1
3	PSGA000262	RIGHT HAND UPPER PROTECTION GUARD	1
4	PSGA000259	REAR PROTECTION PLATE	1
5	PSGA000260	UPPER PROTECTION SUPPORT	2
6	PSGA000264	MIDDLE PROTECTION PLATE	1
7	PSGA000263	CENTRAL PROTECTION PLATE	1
8	PSGA000265	SIDE PROTECTION PLATE	1
9	PSGA600141	FRONT CURTAIN	1

# 5. PROTECTIVE CURTAIN & FRAME



10	PSGA600513	REAR CURTAIN	1
11	PSGA600111	FLAT WASHER (M10)	8
12	PSGA600142	BOLT (M10X20)	8
13	PSGA600282	FLAT WASHER (M8)	160
14	PSGA600089	LOCK NUT (M8)	80
15	PSGA600144	BOLT (M8X20)	80

# 6. DRUM UNIT

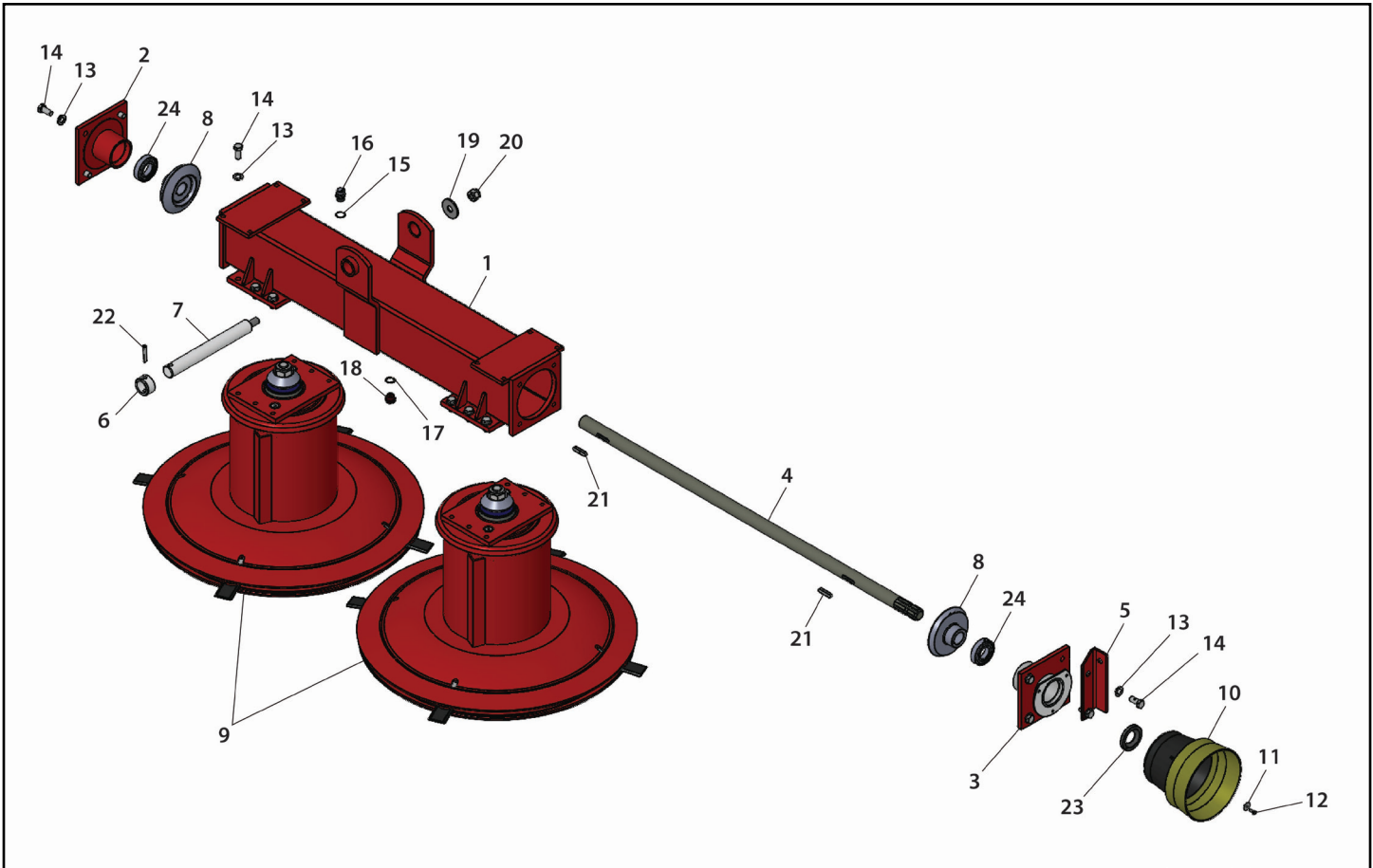


# 6. DRUM UNIT



No.	Part No.	Name	Qty
1	PSGA000244	DRUM PROTECTION RING	2
2	PSGA000222	DRUM SHAFT WITH HUB FLANGE	2
3	PSGA600115	MACHINE KEY (M8X10X40)	2
4	PSGA600108	OIL SEAL (55X90X10)	2
5	PSGA600114	BEARING	2
6	PSGA000527	LOCK NUT (M27) TURNED (M17)	2
7	PSGA000246	UPPER DISC SUPPORT FLANGE	2
8	PSGA600124	BEARING	2
9	PSGA600109	BEARING	4
10	PSGA600202	EXTERNAL SNAP RING (M40)	2
11	PSGA600116	BOLT (M12X30)	8
12	PSGA000248	UPPER DISC PLATE	2
13	PSGA600097	CUPPED WASHER (M14)	16
14	PSGA600438	BOLT (M14X25)	16
15	PSGA000249	CUTTING BLADE-HOLDER LEAF SPRING	8
16	PSGADRBL	STRAIGHT BLADE	8
17	PSGA000220	LOWER SKID PLATE	2
18	PSGA600103	CUPPED WASHER (M12)	8
19	PSGA600446	BOLT (M12X35)	8
20	PSGA000250	DRUM UNIT CENTER HOUSING	2
21	PSGA000217	PINION GEAR (Z20)	2
22	PSGA600444	BOLT (M14X35)	4
23	PSGA000358	DRUM WITH CONDITIONING TINES	2
24	PSGA600107	WASHER (M27)	2
25	PSGA600445	O-RING (107-54X3-53)	2

# 7. DRUM UNIT TRANSMISSION



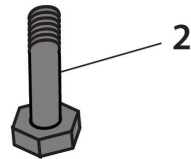
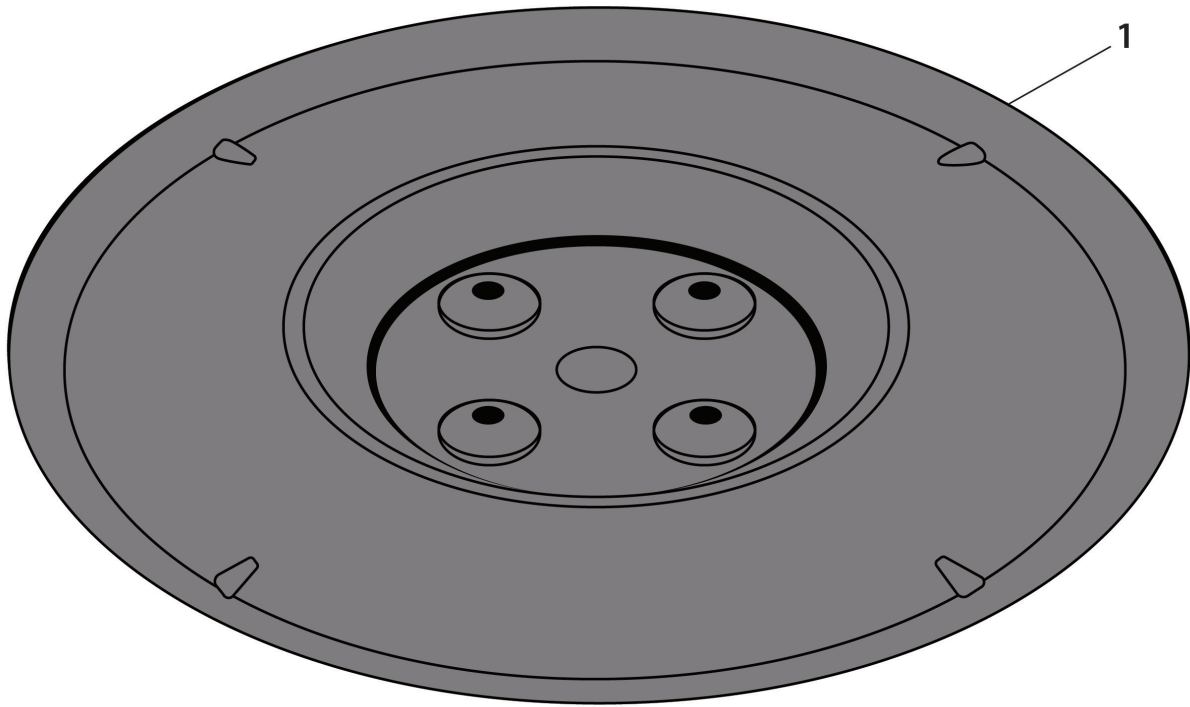
No.	Part No.	Name	Qty
1	PSGA000320	CENTRAL HOUSING	1
2	PSGA000275	FLANGE END PLATE	1
3	PSGA000277	INPUT SHAFT FLANGE CAP	1
4	PSGA000278	TRANSMISSION SHAFT	1
5	PSGA000270	LOCK HINGE BRACKET	1
6	PSGA000268	LOCK RING	1
7	PSGA000271	MAIN TRANSMISSION PIVOT PIN	1
8	PSGA000219	CROWN GEAR (Z35)	2
9	PSGA000296190	DRUM UNIT ASSEMBLY	2
10	PSGA600001	PTO SHAFT PROTECTION COVER	1
11	PSGA600392	FLAT WASHER (M6X24)	3
12	PSGA600230	BOLT (M6X16)	3
13	PSGA600010	FLAT WASHER (M14)	20
14	PSGA600437	BOLT (M14X30)	20
15	PSGA600433	COPPER WASHER	1
16	PSGA600435	BREATHER OIL CAP	1
17	PSGA600432	RUBBER WASHER	1
18	PSGA600434	OIL CAP	1

# 7. DRUM UNIT TRANSMISSION



19	PSGA600510	FLAT WASHER (M18)	1
20	PSGA600042	LOCK NUT (M18)	1
21	PSGA600436	MACHINE KEY (M8X10X45)	2
22	PSGA600031	SPRING PIN	1
23	PSGA600002	OIL SEAL (35X72X10)	1
24	PSGA600004	BEARING	2

# 8. OPTIONAL LIFT KIT



No.	Part No.	Name	Qty
1	PSGA000356	LOWER LIFT KIT SKID PLATE	2
2	PSGA600226	LIFT KIT SKID PLATE BOLT (M12X40)	8