



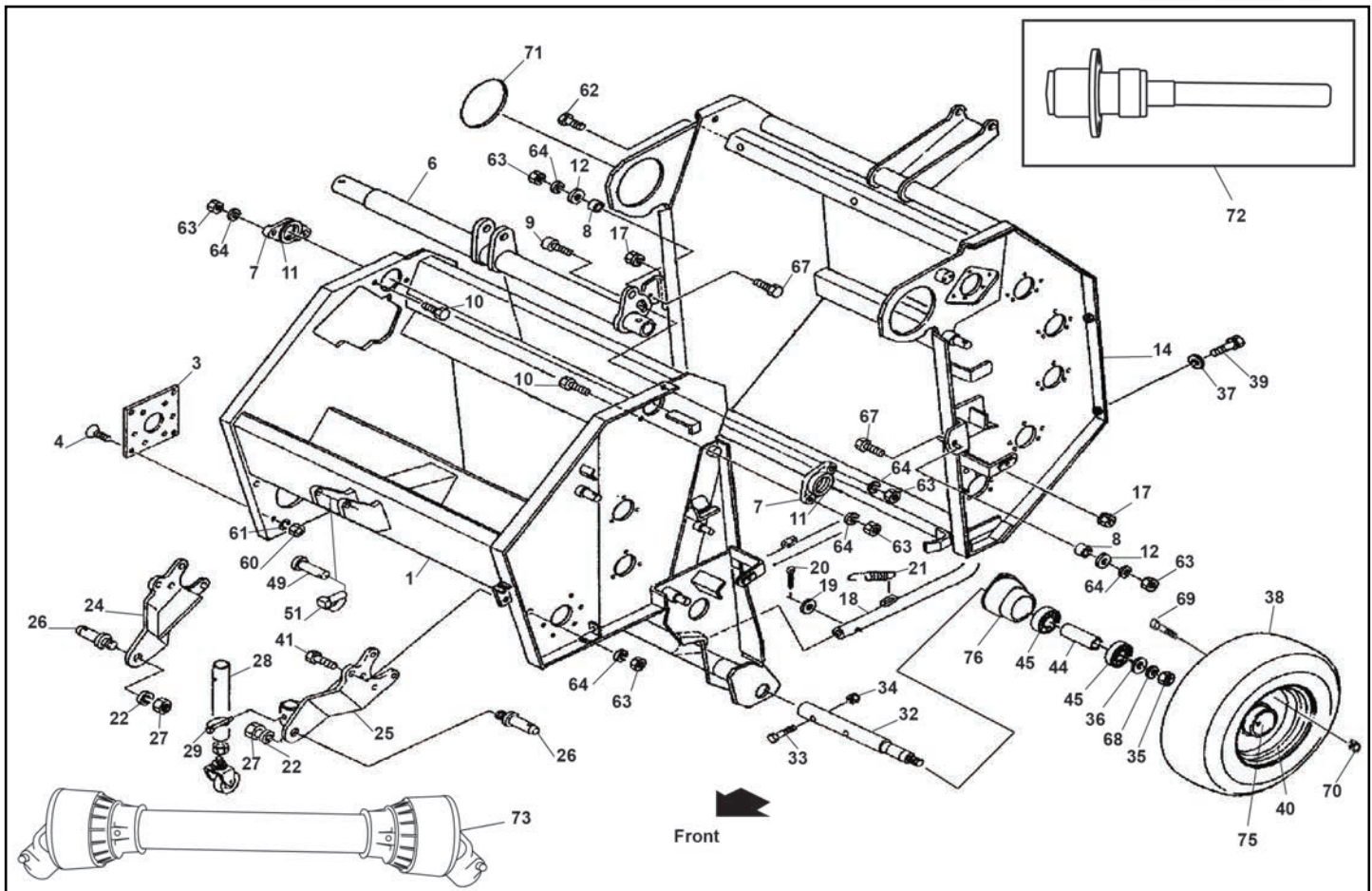
Parts Manual

Model: IBEX TX31 Mini Round Baler
Twine Wrap



ibexequipment.com
833-888-IBEX

1. FRAME



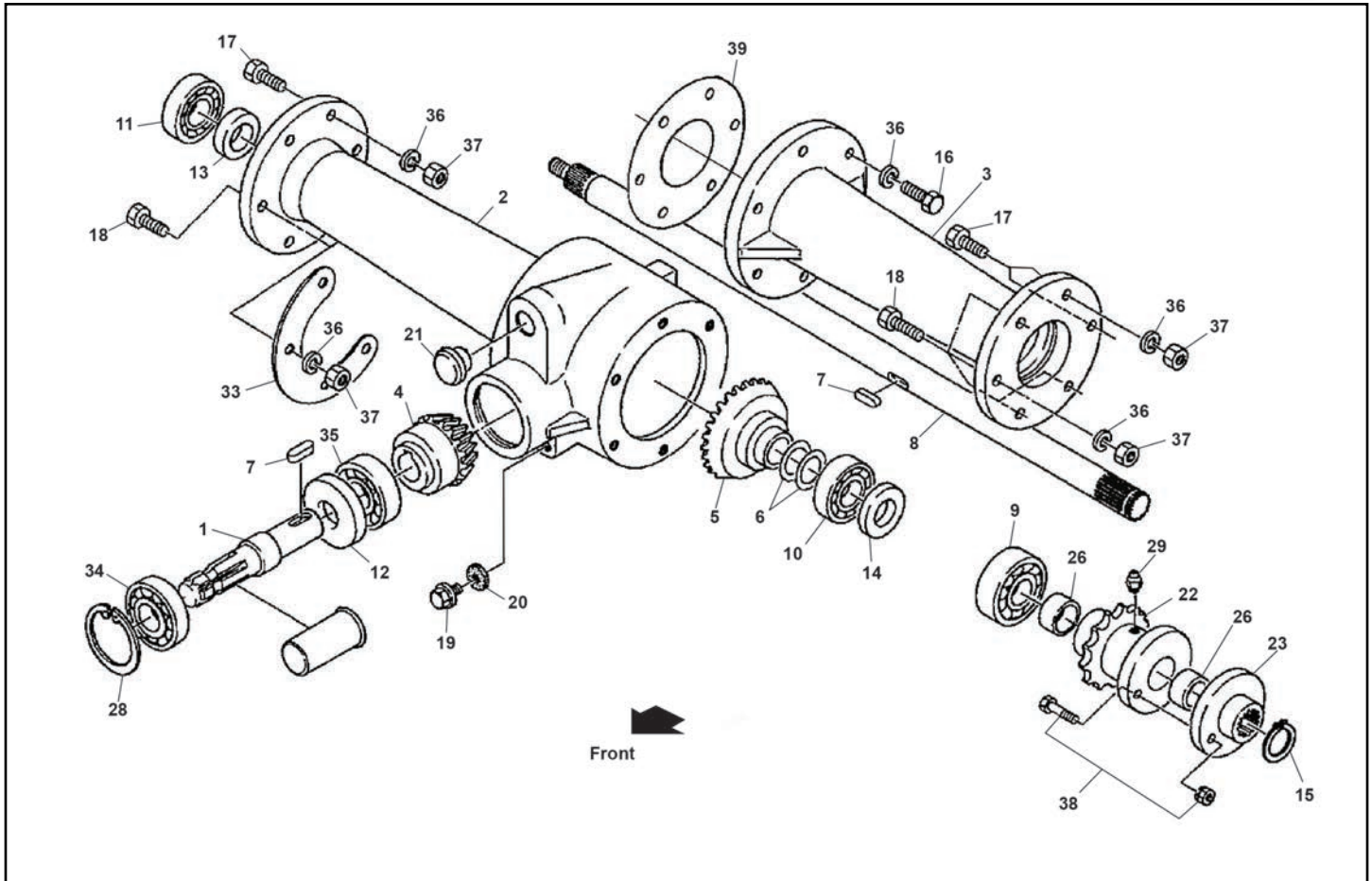
| Ref. | Part No. | Description | Qty |
|------|----------------------------|-----------------------------------|-----|
| 1 | PSRSYK5010100 | FRAME (FRONT) | 1 |
| 3 | PSRSYK70102 | SQUARE CONNECTING PLATE | 1 |
| 4 | PSRSGB578686M10X25H8-8 | BOLT (M10X25) (8.8) | 4 |
| 6 | PSRSYK5010300 | PIVOT PIPE FOR HYDRAULIC CYLINDER | 1 |
| 7 | PSRSYK70104 | SUPPORT BEARING | 2 |
| 8 | PSRSYK70105 | BUSHING | 2 |
| 9 | PSRSGB7012000TM12X30H10-9 | BUTTON HEAD SCREW (M12X30) (10.9) | 1 |
| 10 | PSRSGB578686M12X30H8-8 | BOLT (M12X30) (8.8) | 3 |
| 11 | PSRSGB115279 | GREASE FITTING (ONB6-M6X1) | 2 |
| 12 | PSRSGB97185125FWM12-5XT3-2 | FLAT WASHER (M12.5X3.2) | 2 |
| 14 | PSRSYK5010700 | FRAME (REAR) | 1 |
| 17 | PSRSGB71086M8H8-8 | NUT (M8) (8.8) | 4 |
| 18 | PSRSYK70109 | BALE KICKER (U-BAR) | 1 |
| 19 | PSRSGB97185FWM10 | FLAT WASHER (M10) | 1 |
| 20 | PSRSGB9187CPM3-2X16 | SPLIT PIN (3.2X16) | 1 |
| 21 | PSRSYK70110 | BALE KICKER SPRING | 2 |
| 22 | PSRSGB9387LWM22 | LOCK WASHER (M22) | 2 |
| 24 | PSRSYK7011100 | 3 POINT HITCH PIN BRACKET (RIGHT) | 1 |

1. FRAME



| | | | |
|----|------------------------|------------------------------------|---|
| 25 | PSRSYK7011200 | 3 POINT HITCH PIN BRACKET (LEFT) | 1 |
| 26 | PSRSYK70113 | CATEGORY 1 PIN | 2 |
| 27 | PSRSGB71086M22X1-5H8-8 | HEXAGON NUT (M22X1.5) (8.8) | 2 |
| 28 | PSRSYK7011400B | STAND WITH HEAVY DUTY CASTER WHEEL | 1 |
| 29 | PSRSHB41871989 | LINCHPIN | 1 |
| 32 | PSRSYK70116 | WHEEL AXLE SHAFT | 2 |
| 33 | PSRSGB578686M12X70H8-8 | BOLT (M12X70) (8.8) | 2 |
| 34 | PSRSGB71086M12LNM12 | NYLON LOCK NUT (M12) | 2 |
| 35 | PSRSGB671086M14 | NUT (M14) | 2 |
| 36 | PSRSGB671087FWM14 | FLAT WASHER (M14) | 4 |
| 37 | PSRSGB971858FWM8 | FLAT WASHER (M8) | 9 |
| 38 | PSRSGB11928240012 | TIRE (5.70/5.00-8) | 2 |
| 39 | PSRSGB578686M8X16H8-8 | BOLT (M8X16) (8.8) | 9 |
| 40 | PSRSYK70117 | WHEEL/RIM | 2 |
| 41 | PSRSGB578686M12X55H8-8 | BOLT (M12X55) (8.8) | 2 |
| 44 | PSRSYK70128 | BUSHING | 2 |
| 45 | PSRSGB297846205-2RS | BEARING (6205-2RS) | 4 |
| 49 | PSRSYK70118 | TOP LINK PIN | 1 |
| 51 | PSRSDIN110241973 | LINCHPIN FOR TOP LINK PIN | 1 |
| 60 | PSRSGB671086M10H8-8 | HEX NUT (M10) (8.8) | 4 |
| 61 | PSRSGB9387LWM10 | LOCK WASHER (M10) | 4 |
| 62 | PSRSGB578686M8X25H8-8 | BOLT (M8X25) (8.8) | 2 |
| 63 | PSRSGB671086M12 | HEX NUT (M12) | 8 |
| 64 | PSRSGB9387LWM12 | LOCK WASHER (M12) | 8 |
| 67 | PSRSGB578686M10X50H8-8 | HEXAGON BOLT (M10X50) (8.8) | 2 |
| 68 | PSRSGB9387LWM14 | LOCK WASHER (M14) | 2 |
| 69 | PSRSYK70126 | WHEEL STUD BOLT | 8 |
| 70 | PSRSYK70125 | WHEEL LUG NUT | 8 |
| 71 | PSRSYK70127 | HINGE BUSHING | 2 |
| 72 | PSRSYK70129 | WHEEL HUB ASSEMBLY | 2 |
| 73 | PSRSSHAFT85 | SERIES 4 PTO SHAFT (34") | 1 |
| 75 | PSRSYK70131 | WHEEL DUST COVER CAP | 2 |
| 76 | PSRSYK70132 | DUST CAP FOR WHEEL (INSIDE) | 2 |

2. GEARBOX



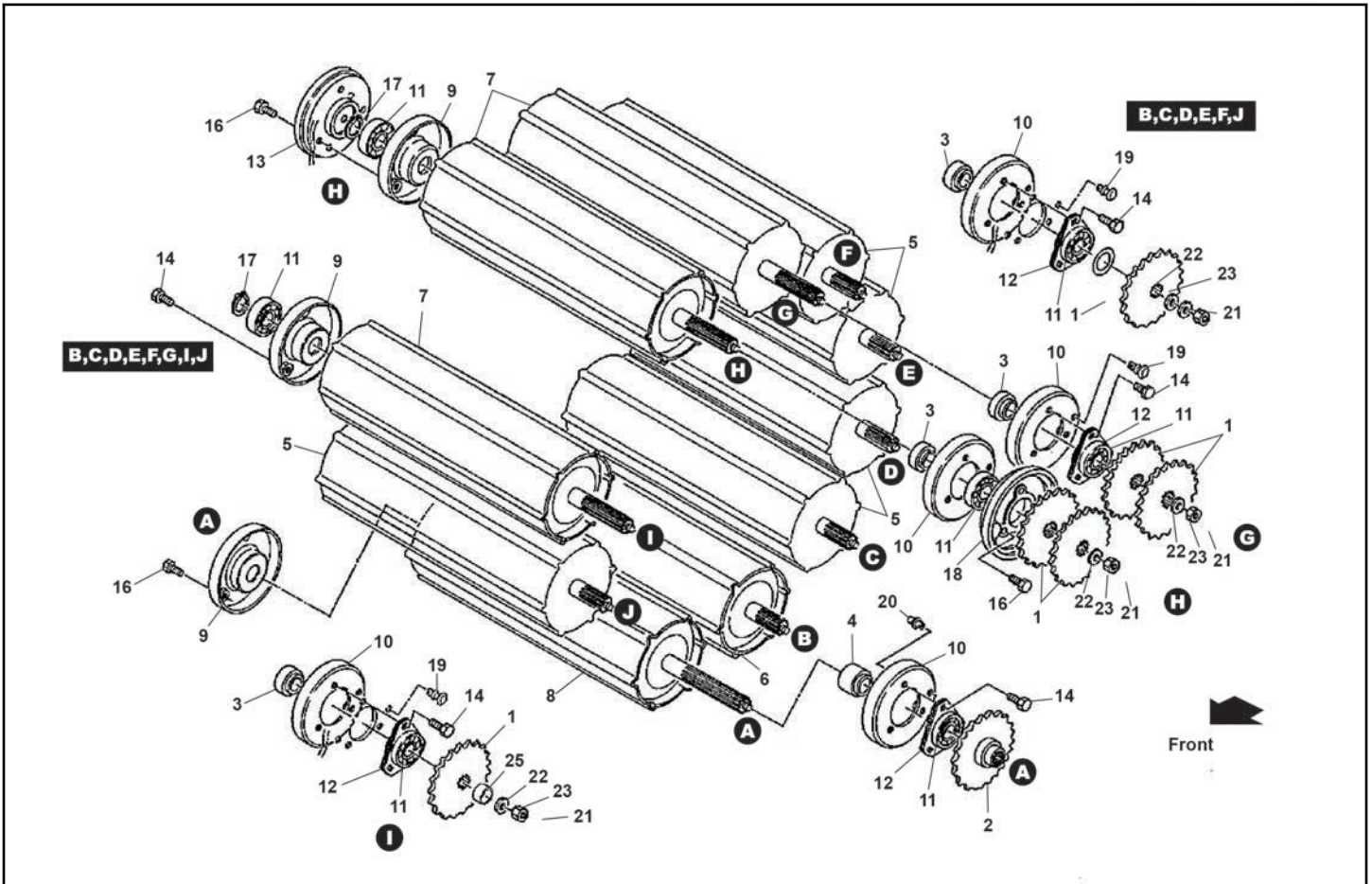
| No. | Part No. | Name | Qty |
|-----|------------------------|-------------------------------------|-----|
| 1 | PSRSYK70201 | SPLINED INPUT SHAFT | 1 |
| 2 | PSRSYK70202 | GEARBOX HOUSING (PASSENGER SIDE, R) | 1 |
| 3 | PSRSYK70203 | AXLE HOUSING (DRIVERS SIDE, L) | 1 |
| 4 | PSRSYK70204 | PINION GEAR | 1 |
| 5 | PSRSYK70205 | RING GEAR | 1 |
| 6 | PSRSYK70211 | SHIM | 2 |
| 7 | PSRSGB109679MK7X7X25 | MACHINE KEY (7X7X25) | 2 |
| 8 | PSRSYK70206 | AXLE SHAFT | 1 |
| 9 | PSRSGB297846305-2RS | BEARING (6305-2RS) | 1 |
| 10 | PSRSGB297846305-O | BEARING (6305) | 1 |
| 11 | PSRSGB297846304-2RS | BEARING (6304-2RS) | 1 |
| 12 | PSRSJB260080S40X62X10 | OIL SEAL (40X62X10) | 1 |
| 13 | PSRSJB260080S25X45X7 | OIL SEAL (25X45X7) | 1 |
| 14 | PSRSJB260080S25X52X8 | OIL SEAL (25X52X8) | 1 |
| 15 | PSRSGB894186E24 | SNAP RING (M24 EXTERNAL) | 1 |
| 16 | PSRSGB578686M10X30H8-8 | BOLT (M10X30) (8.8) | 6 |
| 17 | PSRSGB578686M10X35H8-8 | BOLT (M10X35) (8.8) | 4 |
| 18 | PSRSGB578686M10X50H8-8 | BOLT (M10X50) (8.8) | 8 |

2. GEARBOX



| | | | |
|----|---------------------|--|----|
| 19 | PSRSGB66497 | DRAIN PLUG | 1 |
| 20 | PSRSGB45344 | OIL PLUG GASKET (WASHER) | 1 |
| 21 | PSRSYK70210 | GEARBOX OIL FILL PLUG | 1 |
| 22 | PSRSYK70207B | MAIN DRIVE SPROCKET- 22T | 1 |
| 23 | PSRSYK70208 | MAIN DRIVE SHEAR BOLT PLATE | 1 |
| 26 | PSRSYK70212 | BUSHING FOR SHEAR BOLT SPROCKET | 2 |
| 28 | PSRSGB893186I62 | SNAP RING (INTERNAL) | 1 |
| 29 | PSRSGB1152X79M6 | GREASE FITTING (M6) | 1 |
| 33 | PSRSYK70209 | C-HUB PLATE | 1 |
| 34 | PSRSGB297846007-2RS | BEARING (6007-2RS) | 1 |
| 35 | PSRSGB297846206-ZZ | BEARING (6206-ZZ) | 1 |
| 36 | PSRSGB9387LWM10 | LOCK WASHER (M10) | 18 |
| 37 | PSRSGB671086M10 | NUT (M10) | 12 |
| 38 | PSRSSBLN12 | TX31 BALER SHEAR BOLT & LOCK NUT COMBO, PACK OF 12 | 1 |
| 39 | PSRSYK70213 | GEARBOX AXLE HOUSING GASKET | 1 |

3. ROLLERS



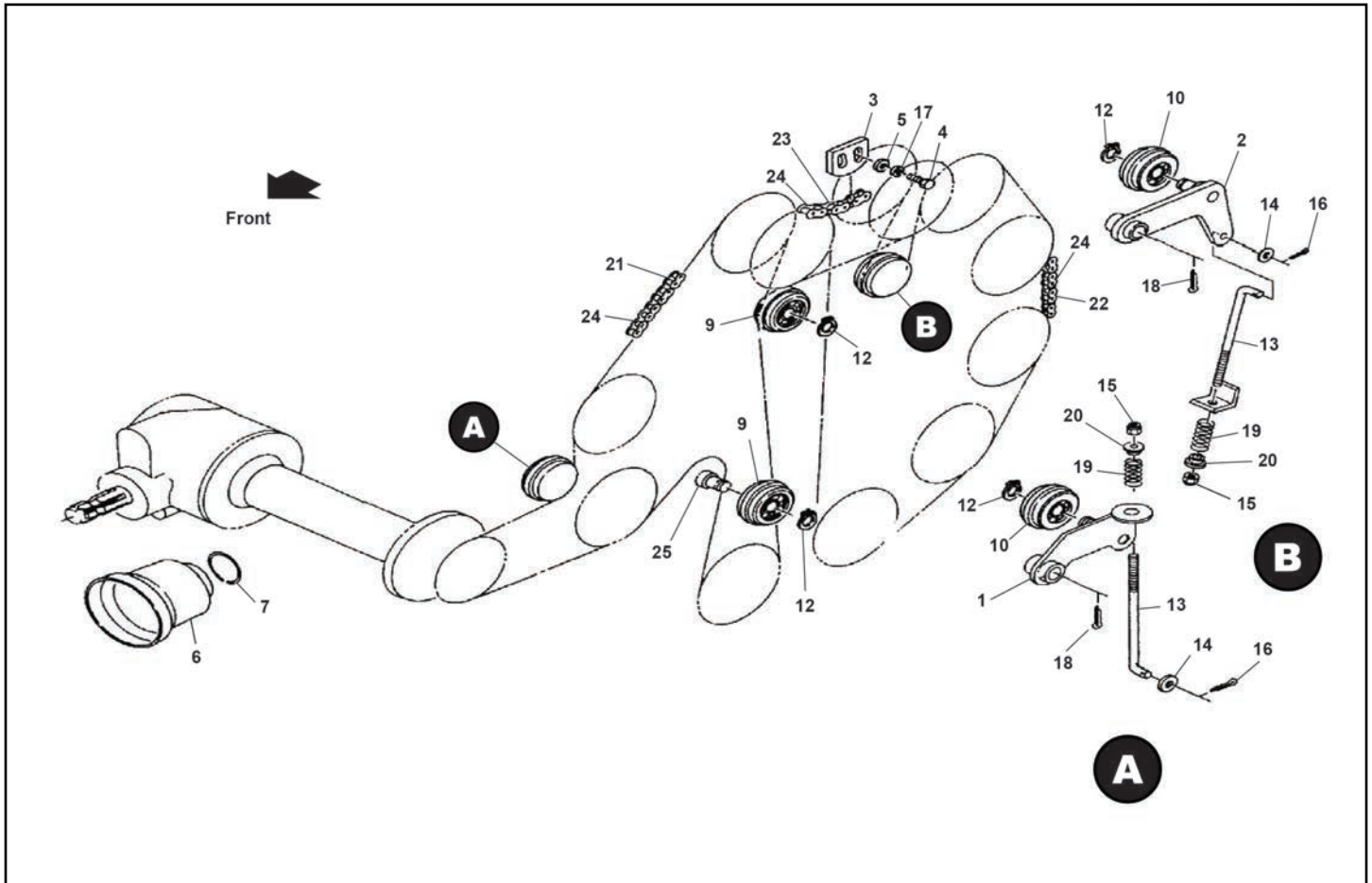
| No. | Part No. | Name | Qty |
|-----|-----------------------|---|-----|
| 1 | PSRSYK70301 | SPROCKET 22T | 11 |
| 2 | PSRSYK70302 | LOWER ROLLER SPROCKET 22T | 1 |
| 3 | PSRSYK70303 | BUSHING | 9 |
| 4 | PSRSYK70304 | BUSHING | 1 |
| 5 | PSRSYK7030500 | MIDDLE ROLLER (C, D, E, F, J) | 5 |
| 6 | PSRSYK7030600 | LOWER ROLLER (B) | 1 |
| 7 | PSRSYK7030700 | UPPER ROLLER (G, H, I) | 3 |
| 8 | PSRSYK7030800A30 | MAIN DRIVE ROLLER, NEW DESIGN WITH 30MM SHAFT | 1 |
| 9 | PSRSYK7030900 | ROLLER FLANGE (PASSENGER SIDE, R) | 10 |
| 10 | PSRSYK7031000 | ROLLER FLANGE (DRIVERS SIDE, L) | 10 |
| 11 | PSRSGB781087CS205-2RS | BEARING (CS205-2RS) | 20 |
| 12 | PSRSGBT78131998 | BEARING SEAT | 18 |
| 13 | PSRSYK70311 | HINGE COVER PLATE (PASSENGER SIDE, R) | 1 |
| 14 | PSRSGB578686M8X25H8-8 | BOLT (M8X25) (8.8) | 51 |
| 16 | PSRSGB578686M8X30H8-8 | BOLT (M8X30) (8.8) | 9 |
| 17 | PSRSGB894186E25 | SNAP RING M25 EXTERNAL | 10 |
| 18 | PSRSYK70312 | HINGE COVER PLATE (DRIVERS SIDE, L) | 1 |
| 19 | PSRSYK703RVT1 | RIVET | 18 |

3. ROLLERS



| | | | |
|----|---------------------|-------------------------|---|
| 20 | PSRSYK703RVT2 | RIVET | 2 |
| 21 | PSRSGB671086M16 | NUT (M16) | 9 |
| 22 | PSRSGB86087FWM17-40 | FLAT WASHER (ID17XOD40) | 9 |
| 23 | PSRSGB9387LWM17 | LOCK WASHER (M17) | 9 |
| 25 | PSRSYK70313 | BUSHING | 1 |

4. CHAINS & PULLEYS



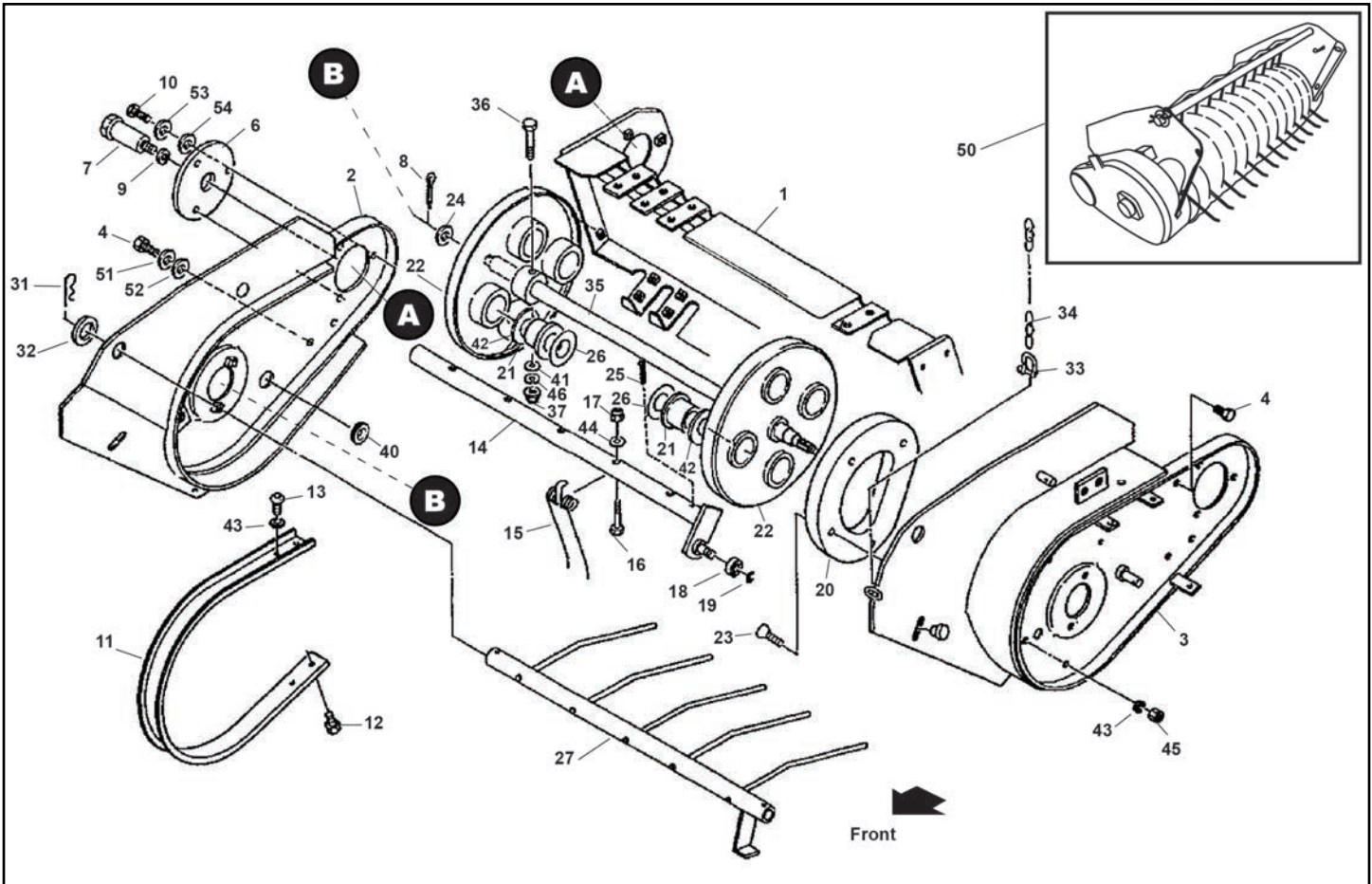
| No. | Part No. | Name | Qty |
|-----|-----------------------|-------------------------------------|-----|
| 1 | PSRSYK7040100 | LOWER TENSIONER ARM | 1 |
| 2 | PSRSYK7040200 | UPPER TENSIONER ARM | 1 |
| 3 | PSRSYK70403 | CHAIN TENSIONER GUIDE PLATE | 1 |
| 4 | PSRSGB578686M8X20H8-8 | BOLT (M8X20) (8.8) | 2 |
| 5 | PSRSGB86087FWM8 | FLAT WASHER (M8) | 2 |
| 6 | PSRSYK70411 | PTO COVER | 1 |
| 7 | PSRSYK70409 | RETAINING RING | 1 |
| 9 | PSRSYK70404 | IDLER PULLEY (INCLUDES BEARING) | 2 |
| 10 | PSRSYK70404 | TENSIONER PULLEY (INCLUDES BEARING) | 2 |
| 12 | PSRSYK70410E17 | SNAP RING M17 EXTERNAL | 5 |
| 13 | PSRSYK50405 | CHAIN TENSIONER ADJUSTMENT ROD | 2 |
| 14 | PSRSGB97185FWM10 | FLAT WASHER (ID M10 X OD M20) | 2 |
| 15 | PSRSYK70410M10 | NUT (M10) | 2 |
| 16 | PSRSGB9187CPM1-8X35 | COTTER PIN (1.8T X 35L) | 2 |
| 17 | PSRSYK70412LWM8 | LOCK WASHER (M8) | 2 |
| 18 | PSRSGB9187CPM2-6X25 | COTTER PIN (2.6T X 25L) | 2 |
| 19 | PSRSYK70406 | CHAIN COMPRESSION TENSION SPRING | 2 |
| 20 | PSRSYK70407 | SPRING SEAT | 2 |

4. CHAINS & PULLEYS



| | | | |
|----|-----------------------|---------------------------------------|---|
| 21 | PSRSGBT12432006L146 | FRONT DRIVE CHAIN | 1 |
| 22 | PSRSGBT12432006L126 | REAR DRIVE CHAIN | 1 |
| 23 | PSRSGBT12432006L42 | DRIVE CONNECTING CHAIN | 1 |
| 24 | PSRSGBT12432006ML50SD | CHAIN MASTER LINK (#50 STANDARD DUTY) | 3 |
| 25 | PSRSYK70408 | MOUNTING PIN FOR IDLER PULLEY | 2 |

5. PICKUP



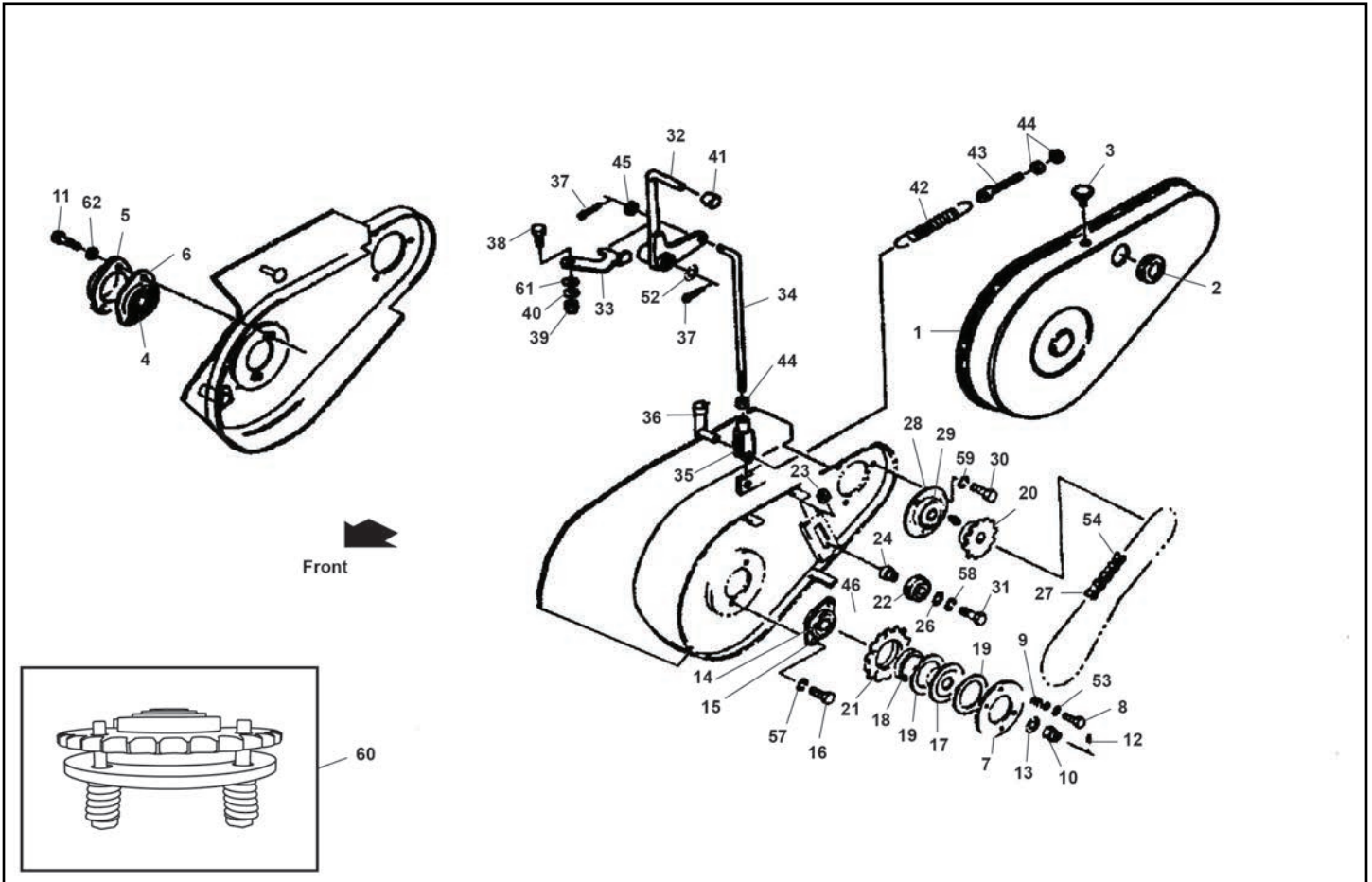
| No. | Part No. | Name | Qty |
|-----|-----------------------|---------------------------------------|-----|
| 1 | PSRSYK7050100 | PICKUP HEAD FRAME (REAR) | 1 |
| 2 | PSRSYK7050200 | SIDE FRAME (PASSENGER SIDE, R) | 1 |
| 3 | PSRSYK7050300 | SIDE FRAME (DRIVERS SIDE, L) | 1 |
| 4 | PSRSGB578686M8X25H8-8 | BOLT (M8X25) (8.8) | 5 |
| 6 | PSRSYK70504 | TRI-BOLT FLANGE | 1 |
| 7 | PSRSYK70505 | PICKUP AXIS BOLT | 1 |
| 8 | PSRSGB9187CPM5X36 | COTTER PIN (5T X 36L) | 1 |
| 9 | PSRSGB9387LWM14 | LOCK WASHER (M14) | 1 |
| 10 | PSRSGB578686M8X30H8-8 | BOLT (M8X30) (8.8) | 3 |
| 11 | PSRSYK70506 | PICKUP STRIPPER | 11 |
| 12 | PSRSGB578686 | PICKUP STRIPPER LOWER BOLT | 22 |
| 13 | PSRSRBT08020 | PICKUP STRIPPER UPPER ALLEN HEAD BOLT | 22 |
| 14 | PSRSYK7050700 | TINE BAR | 4 |
| 15 | PSRSYK70508 | PICKUP TINE | 24 |
| 16 | PSRSGB578686M8X55 | PICKUP TINE ATTACHMENT BOLT (M8X55) | 24 |
| 17 | PSRSGBT309892002M8 | PICKUP TINE ATTACHMENT NUT (M8) | 24 |
| 18 | PSRSGB7810876201-2RS | BEARING (6201-2RS) | 4 |
| 19 | PSRSGB894186E12 | SNAP RING M12 EXTERNAL | 4 |

5. PICKUP



| | | | |
|----|-------------------------|--|----|
| 20 | PSRSYK70509 | CAM TRACK | 1 |
| 21 | PSRSYK70510 | NYLON SLEEVE BUSHING | 8 |
| 22 | PSRSYK7051100 | PICKUP SHAFT SIDE PLATE | 2 |
| 23 | PSRSGBT7032008 | SET SCREW | 4 |
| 24 | PSRSYK70512 | SHIM | 2 |
| 25 | PSRSGB9187RPM | ROLL PIN | 8 |
| 26 | PSRSGB86087FWM35T1-2 | FLAT WASHER (M35X1.2) | 12 |
| 27 | PSRSYK70513 | WIND GUARD | 1 |
| 31 | PSRSYK70518 | R-CLIP | 2 |
| 32 | PSRSGB86087FWM23X40T3 | FLAT WASHER (ID M23 X OD M40 X M3 THICKNESS) | 3 |
| 33 | PSRSYK70519 | SHACKLE | 2 |
| 34 | PSRSYK70520 | LOW LIMIT CHAIN (4X23PX32) | 1 |
| 35 | PSRSYK70515 | PICKUP CENTER SHAFT | 1 |
| 36 | PSRSGB578686M10X70H10-9 | BOLT (M10X70) (10.9) | 2 |
| 37 | PSRSGBT309892002LNM10 | NYLON LOCK NUT (M10) | 2 |
| 40 | PSRSYK70517 | RUBBER DUST COVER | 1 |
| 41 | PSRSGB86087FWM10 | FLAT WASHER (M10) | 2 |
| 42 | PSRSGB86087FWM43T3-5 | FLAT WASHER (M43X3.5) | 8 |
| 43 | PSRSGB9387LWM8 | LOCK WASHER (M8) | 28 |
| 44 | PSRSGB671086FWM8 | PICKUP TINE ATTACHMENT FLAT WASHER (M8) | 24 |
| 45 | PSRSGB671086M8H8-8 | NUT (M8) (8.8) | 4 |
| 46 | PSRSGB9387LWM10 | LOCK WASHER (M10) | 2 |
| 50 | PSRSPU | PICKUP ASSEMBLY | 1 |
| 51 | PSRSYK70521LWM8 | LOCK WASHER (M8) | 5 |
| 52 | PSRSYK70522FWM8 | FLAT WASHER (M8) | 5 |
| 53 | PSRSYK70523LWM8 | LOCK WASHER (M8) | 3 |
| 54 | PSRSYK70524FWM8 | FLAT WASHER (M8) | 3 |

6. PICKUP DRIVE



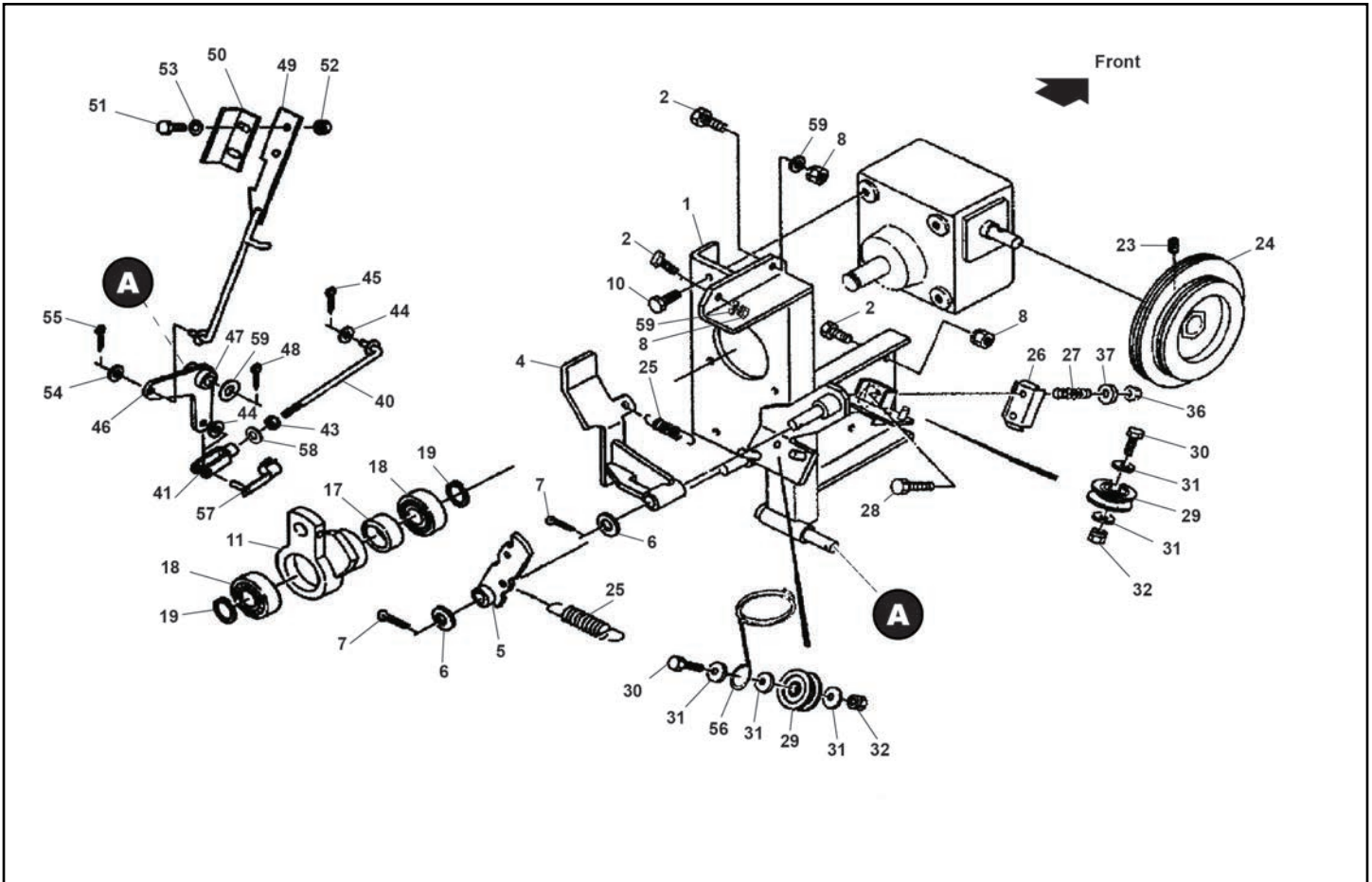
| No. | Part No. | Name | Qty |
|-----|------------------------|------------------------------|-----|
| 1 | PSRSYK7060100 | PICKUP DRIVE SIDE COVER | 1 |
| 2 | PSRSYK70517 | RUBBER DUST COVER | 1 |
| 3 | PSRSYK70623 | THREADED KNOB (M8X14) | 3 |
| 4 | PSRSGB781087CS204-2RS | BEARING (CS204-2RS) | 1 |
| 5 | PSRSYK70618 | BEARING COVER | 1 |
| 6 | PSRSYK70621 | BEARING SEAT | 1 |
| 7 | PSRSYK70603 | SLIP CLUTCH OUTER PLATE | 1 |
| 8 | PSRSGB578686M10X65H8-8 | BOLT (M10X65) (8.8) | 4 |
| 9 | PSRSYK70604 | FRICTION CLUTCH SPRING | 4 |
| 10 | PSRSGB97185CNM20X1-5 | CASTLE NUT (M20X1.5 GB9457) | 1 |
| 11 | PSRSGB578686M8X25H8-8 | BOLT (M8X25) (8.8) | 2 |
| 12 | PSRSGB9187CPM4X25 | COTTER PIN (M4X25) | 1 |
| 13 | PSRSGB86087FWM20 | FLAT WASHER (M20) | 1 |
| 14 | PSRSGBT78131998 | BEARING SEAT (PFL205) | 2 |
| 15 | PSRSGB781087CS205-2RS | BEARING (CS205-2RS) | 1 |
| 16 | PSRSGB578686M10X20H8-8 | BOLT (M10X20) (8.8) | 2 |
| 17 | PSRSYK70605 | SLIP CLUTCH MIDDLE PLATE | 1 |
| 18 | PSRSYK70606 | SLIP CLUTCH SPROCKET BUSHING | 1 |

6. PICKUP DRIVE



| | | | |
|----|------------------------|--|---|
| 19 | PSRSYK70607 | SLIP CLUTCH FRICTION DISC | 2 |
| 20 | PSRSYK70608 | PICKUP DRIVE SPROCKET (RS50X19T) | 1 |
| 21 | PSRSYK70609 | PICKUP SLIP CLUTCH SPROCKET (RS50X32T) (INCLUDES INNER BUSHING) | 1 |
| 22 | PSRSYK70404 | CHAIN TENSION PULLEY WITH BEARING | 1 |
| 23 | PSRSGBT136801992 | SQUARE NUT | 1 |
| 24 | PSRSYK70611 | BUSHING | 1 |
| 26 | PSRSGB86087FWM12 | FLAT WASHER (M12) | 1 |
| 27 | PSRSGBT12432006L59 | PICKUP DRIVE CHAIN (10A-59X1) | 1 |
| 28 | PSRSGBT78131992 | BEARING SEAT | 2 |
| 29 | PSRSGB781087CS206-2RS | BEARING (CS206-2RS) | 1 |
| 30 | PSRSGB578686M10X20H8-8 | BOLT (M10X20) (8.8) | 3 |
| 31 | PSRSYK70631 | CHAIN TENSION PULLEY BOLT | 1 |
| 32 | PSRSYK70612 | TRANSPORT HANDLE | 1 |
| 33 | PSRSYK70613 | HOOK PLATE FOR PICKUP (TRANSPORT MODE) | 1 |
| 34 | PSRSYK50614 | PICKUP TRANSPORT CONNECTING ROD | 1 |
| 35 | PSRSYK70615 | PICKUP TRANSPORT CONNECTING ROD YOKE (10X40) | 1 |
| 36 | PSRSGB88286PM10X40 | PIN (M10X40) | 1 |
| 37 | PSRSGB9187CPM3-2X16 | COTTER PIN (M3.2X16) | 2 |
| 38 | PSRSGB578686M10X30H8-8 | BOLT (M10X30) (8.8) | 1 |
| 39 | PSRSGBT309892002LNM10 | NYLON LOCK NUT (M10) | 1 |
| 40 | PSRSJBZ043402006FWM10 | WASHER (ID M10 X OD M20 X M2 THICKNESS) | 2 |
| 41 | PSRSYK70610 | HANDLE CAP | 1 |
| 42 | PSRSYK70617 | EXTENSION SPRING (H) | 2 |
| 43 | PSRSYK70622 | THREADED EYE BOLT (M10) | 2 |
| 44 | PSRSGB671086M10H8-8 | NUT (M10) (8.8) | 3 |
| 45 | PSRSGB97185FWM10 | FLAT WASHER (M10) | 1 |
| 46 | PSRSYK70620WK | MACHINE KEY | 1 |
| 52 | PSRSGB86087FWM21T1-5 | FLAT WASHER (M21X1.5) | 1 |
| 53 | PSRSGB86087FWM10 | FLAT WASHER FOR SLIP CLUTCH (M10) | 4 |
| 54 | PSRSGBT12432006ML10A | CHAIN MASTER LINK (10A) | 1 |
| 57 | PSRSGB9387LWM10 | LOCK WASHER (M10) | 2 |
| 58 | PSRSGB9387LWM12 | LOCK WASHER (M12) | 1 |
| 59 | PSRSGB9387LWM10 | LOCK WASHER (M10) | 3 |
| 60 | PSRSYK70619 | SLIP CLUTCH ASSEMBLY | 1 |
| 61 | PSRSYK70624 | BUSHING (ID M10 X OD M22 X M8 THICKNESS) | 1 |
| 62 | PSRSYK70625FWM8 | FLAT WASHER (M8) | 2 |

7. TWINE WRAP COMPONENT A



| No. | Part No. | Name | Qty |
|-----|-----------------------|---|-----|
| 1 | PSRSYK7070100 | TWINE ARM GEARBOX BRACKET | 1 |
| 2 | PSRSGB578686M8X20H8-8 | BOLT (M8X20) (8.8) | 6 |
| 4 | PSRSYK7070200 | TWINE ARM RELEASE PLATE (TRIGGER PLATE) | 1 |
| 5 | PSRSYK70703 | TWINE ARM RELEASE PLATE KEEPER (BEAK PLATE) | 1 |
| 6 | PSRSGB97185FWM12 | FLAT WASHER (M12) | 2 |
| 7 | PSRSGB9187CPM3-2X16 | COTTER PIN (M3.2X16) | 2 |
| 8 | PSRSYK70728M8 | NUT (M8) | 6 |
| 10 | PSRSGB578686M8X20 | BOLT (M8X20) | 4 |
| 11 | PSRSYK70704 | TIMING CAM | 1 |
| 17 | PSRSGBT29098 | SINGLE DIRECTION BEARING | 1 |
| 18 | PSRSGB297846005-2RS | TWINE CAM AND GEARBOX BEARING (6005-2RS) | 2 |
| 19 | PSRSGB484186E25 | SNAP RING (M25 EXTERNAL) | 2 |
| 23 | PSRSGBT802000M8X20 | ALLEN HEAD SET SCREW (M8X20) | 1 |
| 24 | PSRSYK50706 | TWINE DRIVE 2 GROOVE PULLEY | 1 |
| 25 | PSRSYK70707 | SPRING | 2 |
| 26 | PSRSYK70708 | SLOTTED PLATE | 1 |
| 27 | PSRSYK70709 | COMPRESSION SPRING | 2 |
| 28 | PSRSGB578686M6X50 | BOLT (M6X50) | 2 |

7. TWINE WRAP COMPONENTS

| | | | |
|----|-----------------------|-----------------------------------|---|
| 29 | PSRSSYK70710 | TWINE PULLEY | 2 |
| 30 | PSRSGB578686M8X30H8-8 | BOLT (M8X30) (8.8) | 2 |
| 31 | PSRSGB97185FWM8 | FLAT WASHER (M8) | 5 |
| 32 | PSRSYK70731M8 | NUT (M8) | 2 |
| 36 | PSRSGBT309892002LNM6 | NYLON LOCK NUT (M6) | 2 |
| 37 | PSRSGB97185FWM6 | FLAT WASHER (M6) | 2 |
| 40 | PSRSYK70712 | ADJUSTABLE LEVER | 1 |
| 41 | PSRSYK70713 | YOKE END CONNECTOR (8X32) | 1 |
| 43 | PSRSYK70731M8 | YOKE JAM NUT (M8) | 1 |
| 44 | PSRSGB97185FWM8 | FLAT WASHER (M8) | 2 |
| 45 | PSTRSGB9187CPM3-2X16 | COTTER PIN (M3.2X16) | 1 |
| 46 | PSRSYK70185 | FULCRUM PLATE | 1 |
| 47 | PSRSGB97185FWM12 | FLAT WASHER (M12) | 1 |
| 48 | PSRSGB9187CPM3-2X16 | COTTER PIN (M3.2X16) | 1 |
| 49 | PSRSYK70716 | TENSION RELEASE ROD | 1 |
| 50 | PSRSYK70717 | CAM PRESSURE PLATE | 1 |
| 51 | PSRSGB578686M6X20 | BOLT (M6X20) | 2 |
| 52 | PSRSGB671086M6 | NUT (M6) | 2 |
| 53 | PSRSGB97185FWM6 | FLAT WASHER (M6) | 2 |
| 54 | PSRSGB97185FWM8 | FLAT WASHER (M8) | 1 |
| 55 | PSRSGB9187CPM3-2X16 | COTTER PIN (M3.2X16) | 1 |
| 56 | PSRSYK70718 | TWINE GUIDE RING | 1 |
| 57 | PSRSYK70730 | YOKE CLIP | 1 |
| 58 | PSRSYK70732FWM8 | FLAT WASHER FOR YOKE JAM NUT (M8) | 1 |
| 59 | PSRSYK70733LWM8 | LOCK WASHER (M8) | 4 |

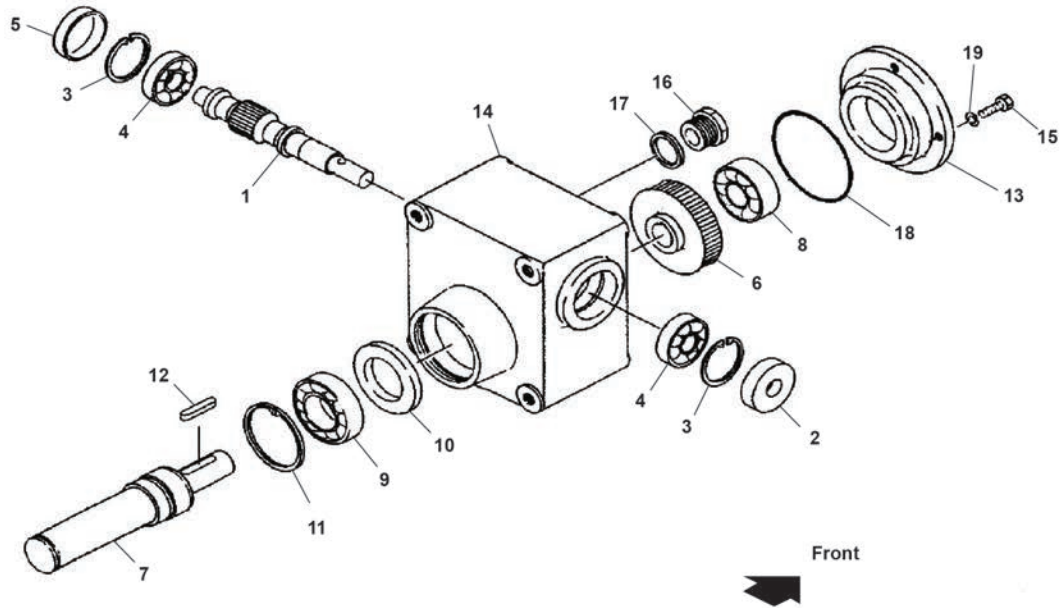
8. TWINE WRAP COMPONENT B

| | | | |
|----|---------------------------|---|---|
| 20 | PSRSYK7080900 | TWINE ARM MOUNTING PLATE | 1 |
| 21 | PSRSYK7081000 | TWINE HEAD | 1 |
| 22 | PSRSYK70811 | NYLON SLEEVE | 5 |
| 23 | PSRSYK70812 | TWINE ARM END PIVOT SPRING | 1 |
| 24 | PSRSYK7081300 | TWINE HEAD PIVOT BRACKET WITH BEARING | 1 |
| 25 | PSRSJBZQ43402006FWM8X30T2 | FLAT WASHER (ID M8 X OD M30 X M2 THICKNESS) | 1 |
| 26 | PSRSGB671086LNM8 | NYLON LOCK NUT (M8) | 1 |
| 27 | PSRSGB97185FWM17T1-5 | FLAT WASHER (M17X1.5) | 1 |
| 28 | PSRSYK70838CP | COTTER PIN | 1 |
| 29 | PSRSGB97185FWM8 | FLAT WASHER (M8) | 4 |
| 30 | PSRSGB578686M8X20H8-8 | BOLT (M8X20) (8.8) | 4 |
| 31 | PSRSGB1152X79M6 | GREASE FITTING (ONA6) (M6X1) | 2 |
| 33 | PSRSGB87986RP6X36 | ROLL PIN | 1 |
| 34 | PSRSYK70815 | TWINE ARM RETENSION SPRING | 1 |
| 35 | PSRSYK70816 | TWINE ARM PULL SPRING | 1 |
| 36 | PSRSYK70807M8 | THREADED EYE BOLT (M8) | 1 |
| 37 | PSRSGB671086M8H8-8 | NUT (M8) (8.8) | 2 |
| 38 | PSRSYK7081700 | TWINE ARM TENSION PLATE | 1 |
| 39 | PSRSYK70818 | TWINE ARM TENSIONER SPRING | 1 |
| 40 | PSRSYK70710 | SMALL TWINE PULLEY WITH BEARING | 2 |
| 41 | PSRSGB97185FWM8 | FLAT WASHER (M8) | 1 |
| 42 | PSRSYK70830E7 | EXTERNAL E-CLIP (M7 SHAFT OD) | 1 |
| 43 | PSRSYK7081900 | TWINE KNIFE SWIVEL BRACKET | 1 |
| 44 | PSRSYK70814 | TWINE KNIFE | 1 |
| 45 | PSRSGBT309892002LNM8 | NYLON LOCK NUT (M8) | 1 |
| 46 | PSRSGBT52802002M3X6 | SELF-TAPPING SCREW (M3X6) | 1 |
| 47 | PSRSGB578686M8X20H8-8 | BOLT (M8X20) (8.8) | 1 |
| 48 | PSRSGB97185FWM8 | FLAT WASHER (M8) | 1 |
| 49 | PSRSYK70820 | RUBBER WASHER | 1 |
| 50 | PSRSYK70821 | NYLON BLOCK | 1 |
| 51 | PSRSGB8191985M8X35H10-9 | COUNTERSUNK SCREW (M8X35) (10.9) | 2 |
| 52 | PSRSGBT309892002LNM8 | NYLON LOCK NUT (M8) | 3 |
| 53 | PSRSGBT309892002LNM6 | NYLON LOCK NUT (M6) | 1 |
| 54 | PSRSYK70822 | SPACER PLATE FOR NYLON BLOCK | 1 |
| 55 | PSRSYK50822 | SUPPORT FRAME SPACER PLATE | 1 |
| 56 | PSRSGB678686M8X16 | BOLT (M8X16) | 1 |
| 57 | PSRSGB671086M8H8-8 | NUT (M8) (8.8) | 1 |
| 58 | PSRSGB97185FWM16 | FLAT WASHER (M16) | 1 |
| 61 | PSRSYK70823 | BALE FULL ALARM SWITCH MOUNTING PLATE | 1 |
| 62 | PSRSGB578686M8X20H8-8 | BOLT (M8X20) (8.8) | 2 |

8. TWINE WRAP COMPONENT B

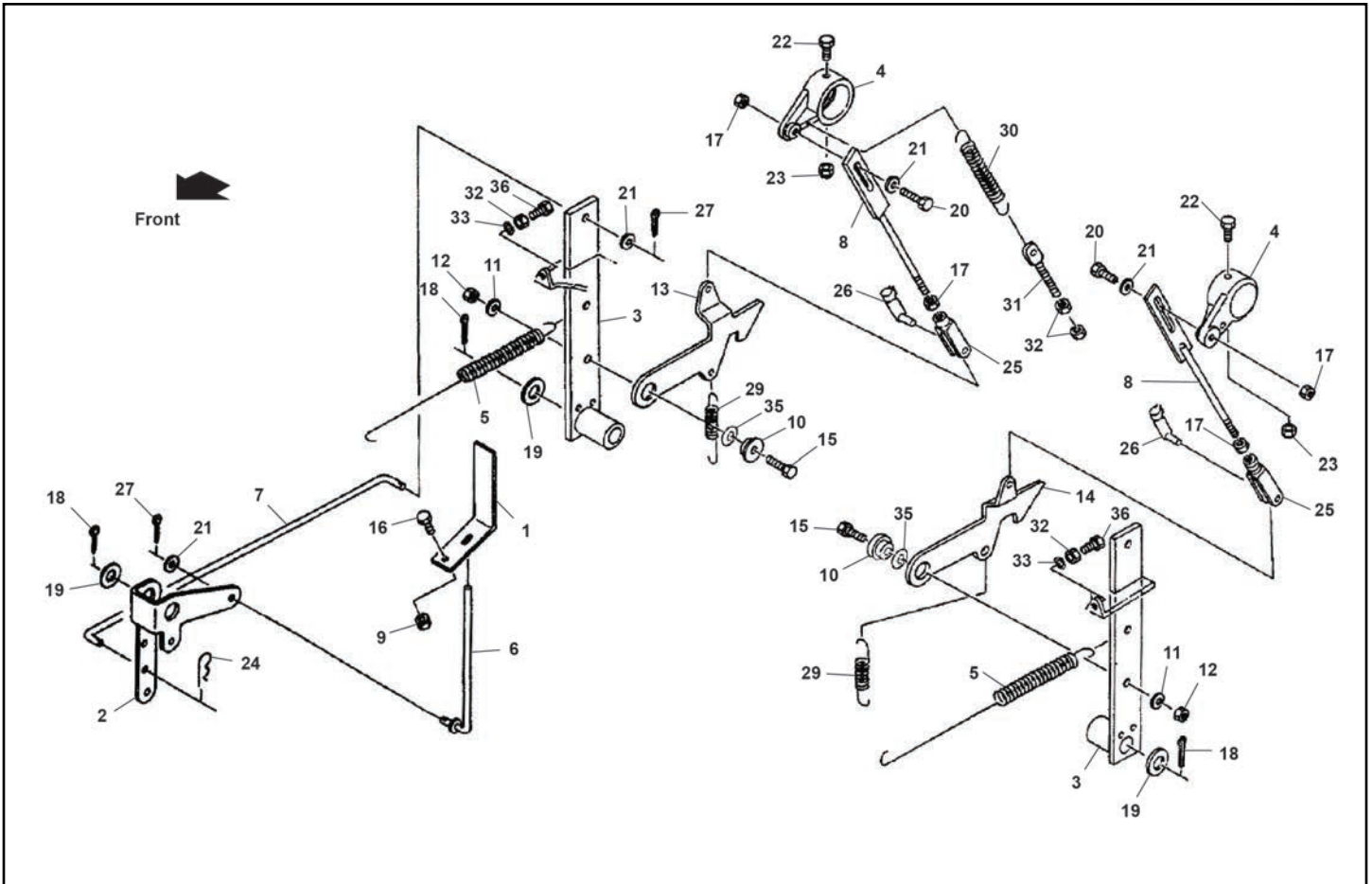
| | | | |
|----|--------------------|---|---|
| 63 | PSRSYK70824 | BALE FULL ALARM SWITCH | 1 |
| 65 | PSRSGB671086M4H8-8 | NUT (M4) (8.8) | 2 |
| 66 | PSRSGB97185FWM4 | FLAT WASHER (M4) | 2 |
| 67 | PSRSYK70837LWM6 | LOCK WASHER (M6) | 1 |
| 68 | PSRSHORN2 | BALE CHAMBER FULL HORN (BLACK & RED CASE) | 1 |

9. TWINE GEARBOX



| No. | Part No. | Name | Qty |
|-----|-------------------------|----------------------------|-----|
| 1 | PSRSYK70901 | INPUT SHAFT WORM SCREW | 1 |
| 2 | PSRSGBT98772008S15X35X8 | SEAL (FB15X35X8) | 1 |
| 3 | PSRSGB893186I35 | SNAP RING (M35 INTERNAL) | 2 |
| 4 | PSRSGB297846202-O | BEARING (6202) | 2 |
| 5 | PSRSYK70902 | BUSHING SEAL (KRCA3507) | 1 |
| 6 | PSRSYK730903 | WORM GEAR | 1 |
| 7 | PSRSYK70804 | OUTPUT SHAFT | 1 |
| 8 | PSRSGB297846203-O | BEARING (6203) | 1 |
| 9 | PSRSGB297846005-2RS | BALL BEARING (6005-2RS) | 1 |
| 10 | PSRSD30507 | OIL SEAL (FB30X50X7) | 1 |
| 11 | PSRSGB893186I47 | SNAP RING (M47 INTERNAL) | 1 |
| 12 | PSRSGB109679WKM5X5X25 | WOODRUFF KEY (M5X5X25) (A) | 1 |
| 13 | PSRSYK70905 | FRONT COVER | 1 |
| 14 | PSRSYK70906 | GEARBOX HOUSING | 1 |
| 15 | PSRSGB578686M6X16H8-8 | BOLT (M6X16) (8.8) | 4 |
| 16 | PSRSYK70907 | OIL FILL PLUG | 1 |
| 17 | PSRSYK70908 | OIL FILL PLUG GASKET | 1 |
| 18 | PSRSGB3452182 | O-RING (G-60) | 1 |
| 19 | PSRSGB9387LWM6 | LOCK WASHER (M6) | 4 |

10. BALE SENSING LINKAGE



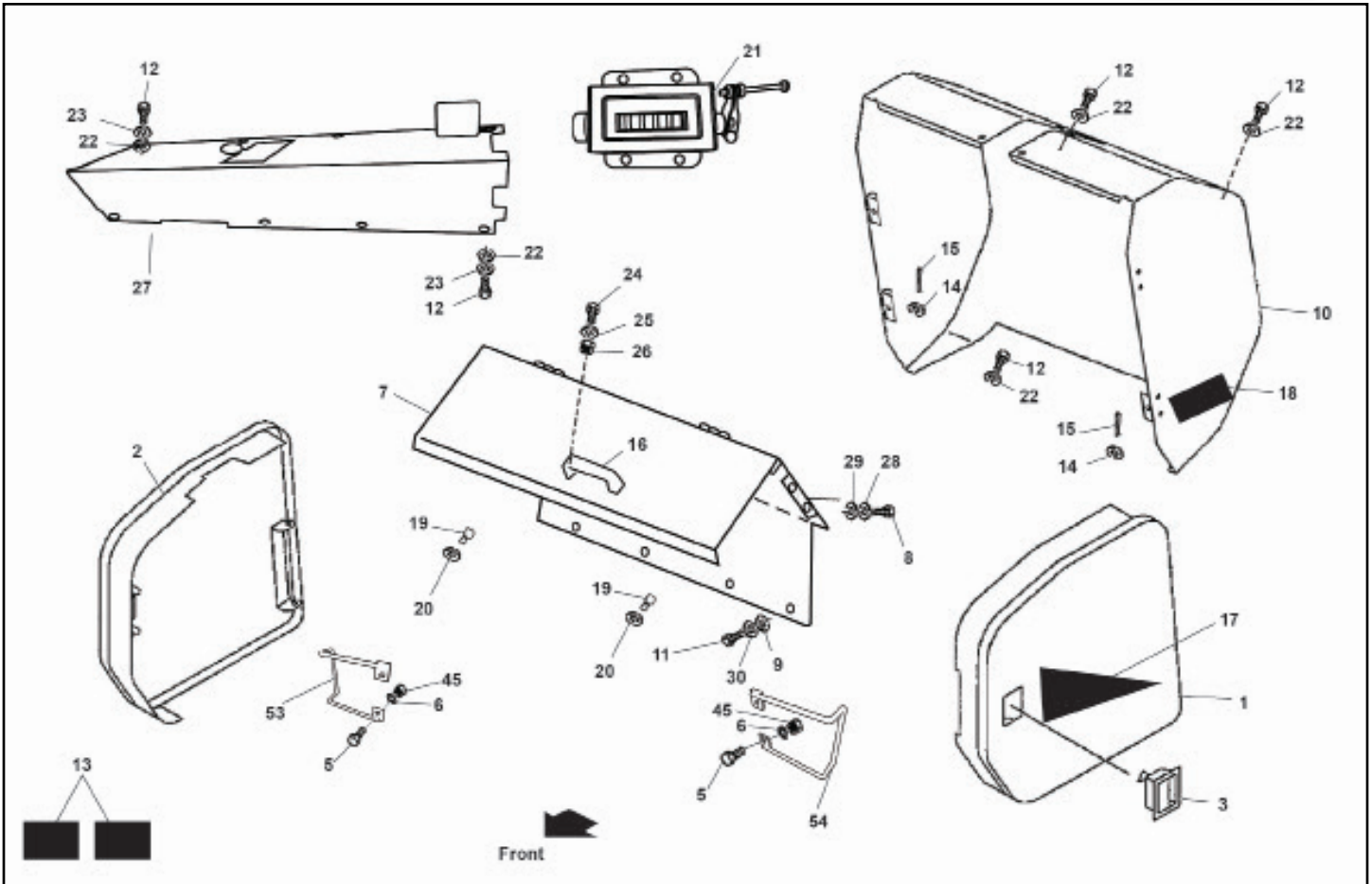
| No. | Part No. | Name | Qty |
|-----|------------------------|-----------------------------------|-----|
| 1 | PSRSYK701001 | DENSITY INDICATOR | 1 |
| 2 | PSRSYK701002 | DENSITY SELECTOR | 1 |
| 3 | PSRSYK70100300 | FULCRUM PLATE | 2 |
| 4 | PSRSYK701004 | TAILGATE HOOK RESET CAM | 2 |
| 5 | PSRSYK501005 | EXTENSION SPRING | 2 |
| 6 | PSRSYK50100600 | DENSITY INDICATOR ROD | 1 |
| 7 | PSRSYK501007 | DENSITY SELECTOR CONNECTING ROD | 1 |
| 8 | PSRSYK50100800 | CONNECTING ROD WITH SLOTTED PLATE | 2 |
| 9 | PSRSYK701009M8 | NUT (M8) | 1 |
| 10 | PSRSYK701009 | TAILGATE HOOK PIVOT SLEEVE | 2 |
| 11 | PSRSGB9387LWM10 | LOCK WASHER (M10) | 2 |
| 12 | PSRSGB671086M10 | NUT (M10) | 2 |
| 13 | PSRSYK701010 | TAILGATE HOOK (PASSENGER SIDE, R) | 1 |
| 14 | PSRSYK701011 | TAILGATE HOOK (DRIVERS SIDE, L) | 1 |
| 15 | PSRSGB578686M10X35H8-8 | BOLT (M10X35) (8.8) | 2 |
| 16 | PSRSGB578686M10X20H8-8 | BOLT (M10X20) (8.8) | 1 |
| 17 | PSRSGB671086M8 | NUT (M8) | 4 |
| 18 | PSRSGB9187 | COTTER PIN | 3 |

10. BALE SENSING LINKAGE



| | | | |
|----|------------------------|--------------------------------|---|
| 19 | PSRSGB97185FWM21T1-5 | FLAT WASHER (M21X1.5) | 3 |
| 20 | PSRSGB578686M8X25H8-8 | BOLT (M8X25) (8.8) | 2 |
| 21 | PSRSGB97185FWM8 | FLAT WASHER (M8) | 4 |
| 22 | PSRSGB578686M8X75H8-8 | BOLT (M8X75) (8.8) | 2 |
| 23 | PSRSGBT309892002LNM8 | NYLON LOCK NUT (M8) | 2 |
| 24 | PSRSYK701020 | R-CLIP | 1 |
| 25 | PSRSYK70713 | CONNECTING YOKE (M8X32) | 2 |
| 26 | PSRSYK70714 | PIN (M8X32) | 2 |
| 27 | PSRSGB9187CP | COTTER PIN | 2 |
| 29 | PSRSYK701012 | EXTENSION SPRING | 2 |
| 30 | PSRSYK701013 | GATE LATCH RETURN SPRING | 1 |
| 31 | PSRSYK701014M10 | EYEBOLT (M10) | 1 |
| 32 | PSRSGB671086M10 | JAM NUT (M10) | 4 |
| 33 | PSRSGB9387FWM10 | FLAT WASHER (M10) | 2 |
| 35 | PSRSYK701015M10-5X0-27 | SHIM (M10.5X0.27) | 2 |
| 36 | PSRSGB578686M10X35H8-8 | ADJUSTMENT BOLT (M10X35) (8.8) | 2 |

11. COVERS



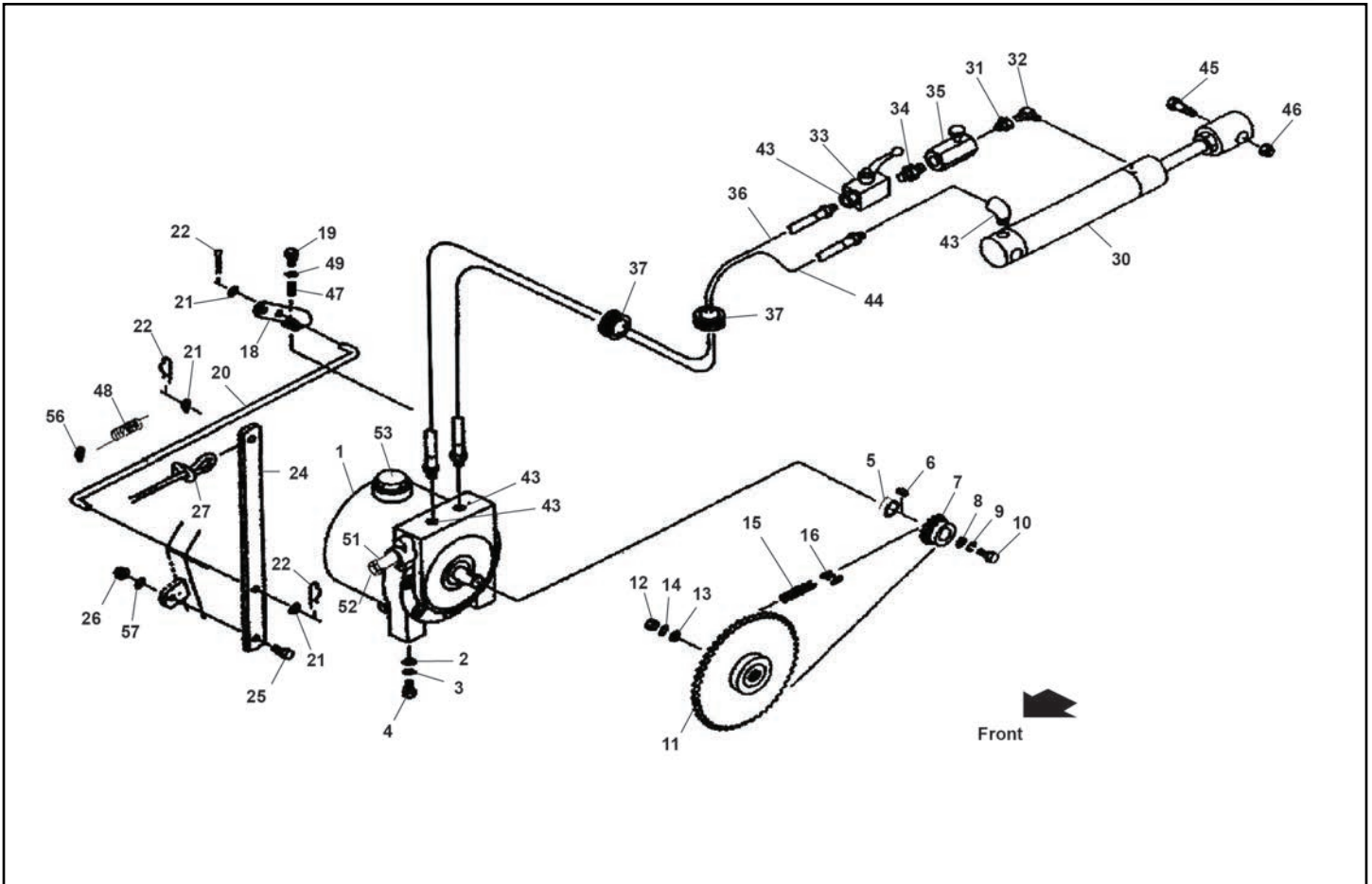
| No. | Part No. | Name | Qty |
|-----|-------------------------|---|-----|
| 1 | PSRSYK50110100A | DOOR (DRIVERS SIDE, L) LATCH DESIGN | 1 |
| 2 | PSRSYK50110200A | DOOR (PASSENGER SIDE, R) LATCH DESIGN | 1 |
| 3 | PSRSDL20 | DOOR LATCH (WHITE) | 2 |
| 5 | PSRSYK501120M8X20H8-8 | BOLT (M8X20) (8.8) | 4 |
| 6 | PSRSYK501121M8 | NUT (M8) | 4 |
| 7 | PSRSYK50111000 | TWINE CHAMBER LID (INCLUDES BOTH COMPONENTS) | 1 |
| 8 | PSRSYK501122M8X25H8-8 | BOLT (M8X25) (8.8) | 4 |
| 9 | PSRSYK501123FWM8 | FLAT WASHER (M8) | 4 |
| 10 | PSRSYK50112500A | REAR TAILGATE COVER (2020+ DESIGN) | 1 |
| 11 | PSRSYK501124M8X20H8-8 | BOLT (M8X20) (8.8) | 4 |
| 12 | PSRSYK501125M8X20H8-8 | BOLT (M8X20) (8.8) | 14 |
| 13 | PSRSYK501135 | REFLECTOR | 2 |
| 14 | PSRSYK501126FWM8X16T1-5 | FLAT WASHER (ID M8 X OD M16 X M1.5 THICKNESS) | 2 |
| 15 | PSRSYK501127CPM30T2 | COTTER PIN (M30 LONG X M2 THICKNESS) | 2 |
| 16 | PSRSYK501141 | TWINE CHAMBER HANDLE | 1 |
| 17 | PSRSYK501107 | DECAL IBEX LOGO | 2 |
| 18 | PSRSYK501108 | DECAL TX31 | 2 |
| 19 | PSRSYK501109 | RIVET FOR TWINE CHAMBER COVER MAGNET | 2 |

11. COVERS



| | | | |
|----|-----------------------|---|----|
| 20 | PSRSYK501114 | MAGNET FOR TWINE CHAMBER LID | 2 |
| 21 | PSRSYK501113 | BALE COUNTER | 1 |
| 22 | PSRSYK501128FWM8X22T2 | FLAT WASHER (ID M8 X OD M22 X M2 THICKNESS) | 14 |
| 23 | PSRSYK501129LWM8 | LOCK WASHER (M8) | 6 |
| 24 | PSRSYK501133M8X20H8-8 | ALLEN HEAD BOLT (M8X20) (8.8) | 2 |
| 25 | PSRSYK501130LWM8 | LOCK WASHER (M8) | 2 |
| 26 | PSRSYK501131M8 | NUT (M8) | 2 |
| 27 | PSRSYK501112 | TOP COVER | 1 |
| 28 | PSRSYK501142LWM8 | LOCK WASHER (M8) | 4 |
| 29 | PSRSYK501143M8 | NUT (M8) | 4 |
| 30 | PSRSYK501144LWM8 | LOCK WASHER (M8) | 4 |
| 45 | PSRSYK501145LWM8 | LOCK WASHER (M8) | 4 |
| 53 | PSRSYK501153 | DOOR LATCH U BRACKET PASSENGER SIDE, R | 1 |
| 54 | PSRSYK501140 | DOOR LATCH U BRACKET DRIVERS SIDE, L | 1 |

12. HYDRAULICS SYSTEM



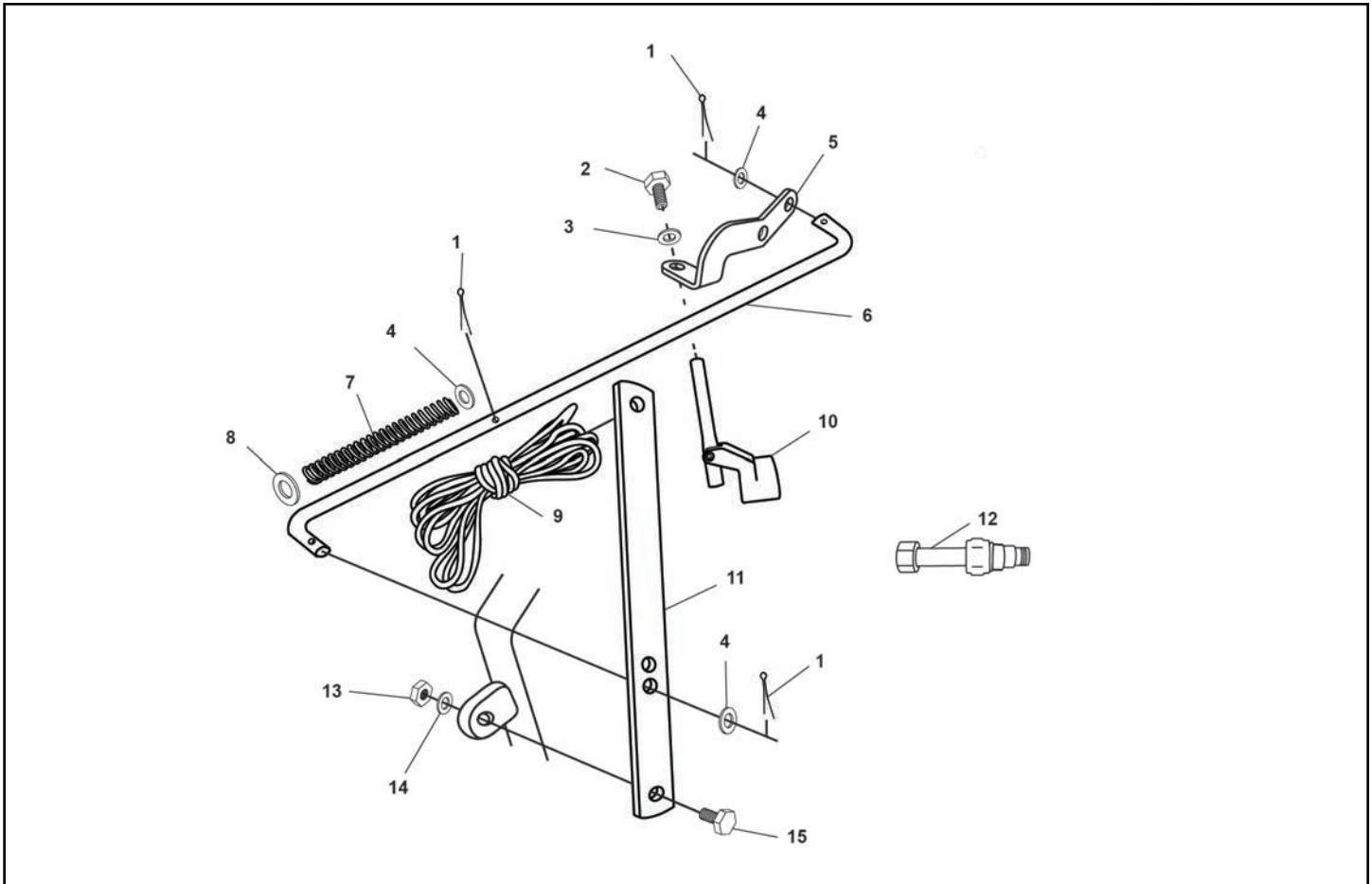
| No. | Part No. | Name | Qty |
|-----|------------------------|---|-----|
| 1 | PSRSYK70120400 | HYDRAULIC PUMP & RESERVOIR ASSEMBLY | 1 |
| 2 | PSRSGB97185FWM10 | FLAT WASHER (M10) | 2 |
| 3 | PSRSGB9387LWM10 | LOCK WASHER (M10) | 2 |
| 4 | PSRSGB578686M10X25H8-8 | BOLT (M10X25) (8.8) | 2 |
| 5 | PSRSYK701201 | CHECK SLEEVE | 1 |
| 6 | PSRSGB109679WKM5X5X20 | WOODRUFF KEY (M5X5X20) | 1 |
| 7 | PSRSYK701202 | SMALL SPROCKET FOR HYDRAULIC PUMP | 1 |
| 8 | PSRSGB97185FWM6 | FLAT WASHER (M6) | 1 |
| 9 | PSRSGB9387LWM6 | LOCK WASHER (M6) | 1 |
| 10 | PSRSGB578686M6X16H8-8 | BOLT (M6X16) (8.8) | 1 |
| 11 | PSRSYK701203 | LARGE DRIVE SPROCKET | 1 |
| 12 | PSRSGB671086M12 | NUT (M12) | 1 |
| 13 | PSRSGB97185FWM13X4-5 | FLAT WASHER (M13X4.5) | 1 |
| 14 | PSRSGB9387LWM12 | LOCK WASHER (M12) | 1 |
| 15 | PSRSGBT1243200656 | HYDRAULIC PUMP DRIVE CHAIN | 1 |
| 16 | PSRSGBT12432006ML08A | MASTER CHAIN LINK (08A) | 1 |
| 18 | PSRSYK701205 | ON/OFF ENGAGEMENT ACTUATOR LEVER ROD (13.25") | 1 |
| 19 | PSRSGB578686M8X15H8-8 | BOLT (M8X15) (8.8) | 1 |

12. HYDRAULICS SYSTEM



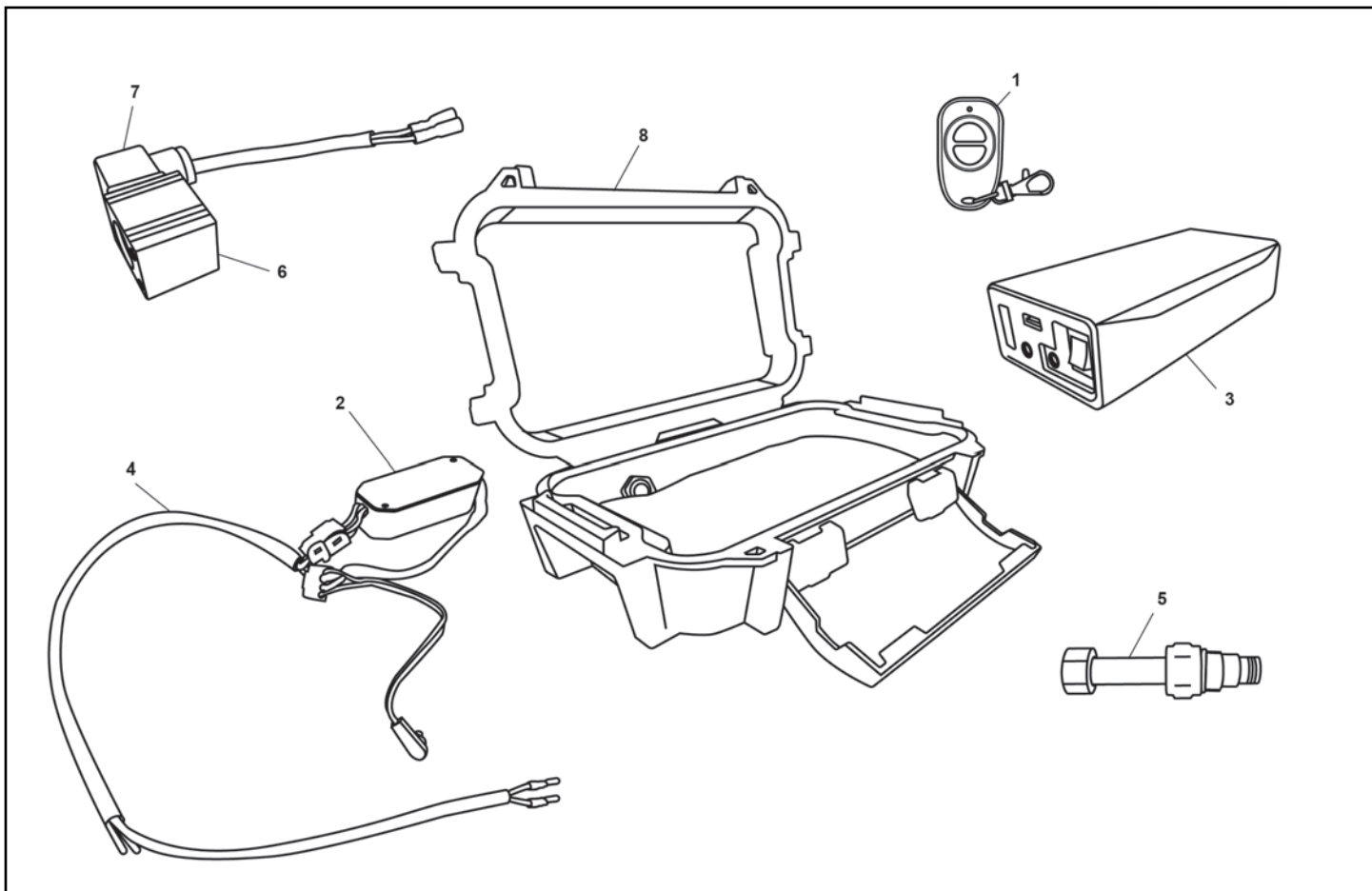
| | | | |
|----|------------------------|--|---|
| 20 | PSRSYK701206 | ON/OFF ENGAGEMENT CONNECTING ROD (13.25") | 1 |
| 21 | PSRSGB97185FWM8 | FLAT WASHER (M8) | 3 |
| 22 | PSRSGB9187CPM3-2X16 | COTTER PIN (M3.2X16) | 3 |
| 24 | PSRSYK701207 | HYDRAULIC PUMP ON/OFF ENGAGEMENT LEVER | 1 |
| 25 | PSRSGB578686M8X25H8-8 | BOLT (M8X25) (8.8) | 1 |
| 26 | PSRSGBT309892002LNM8 | NYLON LOCK NUT (M8) | 1 |
| 27 | PSRSYK701208 | NYLON ROPE | 1 |
| 30 | PSRSYK70120900 | TAILGATE HYDRAULIC CYLINDER (CSH35X210X375) | 1 |
| 31 | PSRSYK701221 | HYDRAULIC COUPLER | 1 |
| 32 | PSRSYK701222 | 90° HYDRAULIC FITTING | 1 |
| 33 | PSRSGBT122232005 | SHUT OFF VALVE (RC1/4) | 1 |
| 34 | PSRSYK701223 | MALE COUPLER (R1/4) | 1 |
| 35 | PSRSGBT81001987 | SINGLE DIRECTION FLOW RESTRICTOR VALVE (RC1/4) | 1 |
| 36 | PSRSGBT127799 | HYDRAULIC HOSE | 1 |
| 37 | PSRSYK701210 | GROMMET | 2 |
| 43 | PSRSYK701226 | 90° CONICAL MALE INSIDE COUPLER (G1/4XR1/4) | 4 |
| 44 | PSRSYK701227 | HYDRAULIC HOSE | 1 |
| 45 | PSRSGB578686M16X80H8-8 | BOLT (M16X80) (8.8) | 2 |
| 46 | PSRSGBT309892002LNM6 | NYLON LOCK NUT (M6) | 2 |
| 47 | PSRSYK701228 | HYDRAULIC ACTUATION LEVER | 1 |
| 48 | PSRSYK701212 | SPRING FOR HYDRAULIC PULL ROD | 1 |
| 49 | PSRSYK701229LWM8 | LOCK WASHER (M8) | 1 |
| 51 | PSRSYK701214 | MANUAL HYDRAULIC ACTUATOR VALVE | 1 |
| 52 | PSRSYK701230 | MANUAL HYDRAULIC ACTUATOR VALVE RETAINING NUT | 1 |
| 53 | PSRSYK701231 | HYDRAULIC PUMP RESERVOIR FILL CAP | 1 |
| 56 | PSRSYK701232FWM9X24 | FLAT WASHER (M9X24) | 1 |
| 57 | PSRSYK701236FWM8-5X17 | FLAT WASHER (M8.5X17) | 1 |

13. MANUAL PULL ROPE KIT



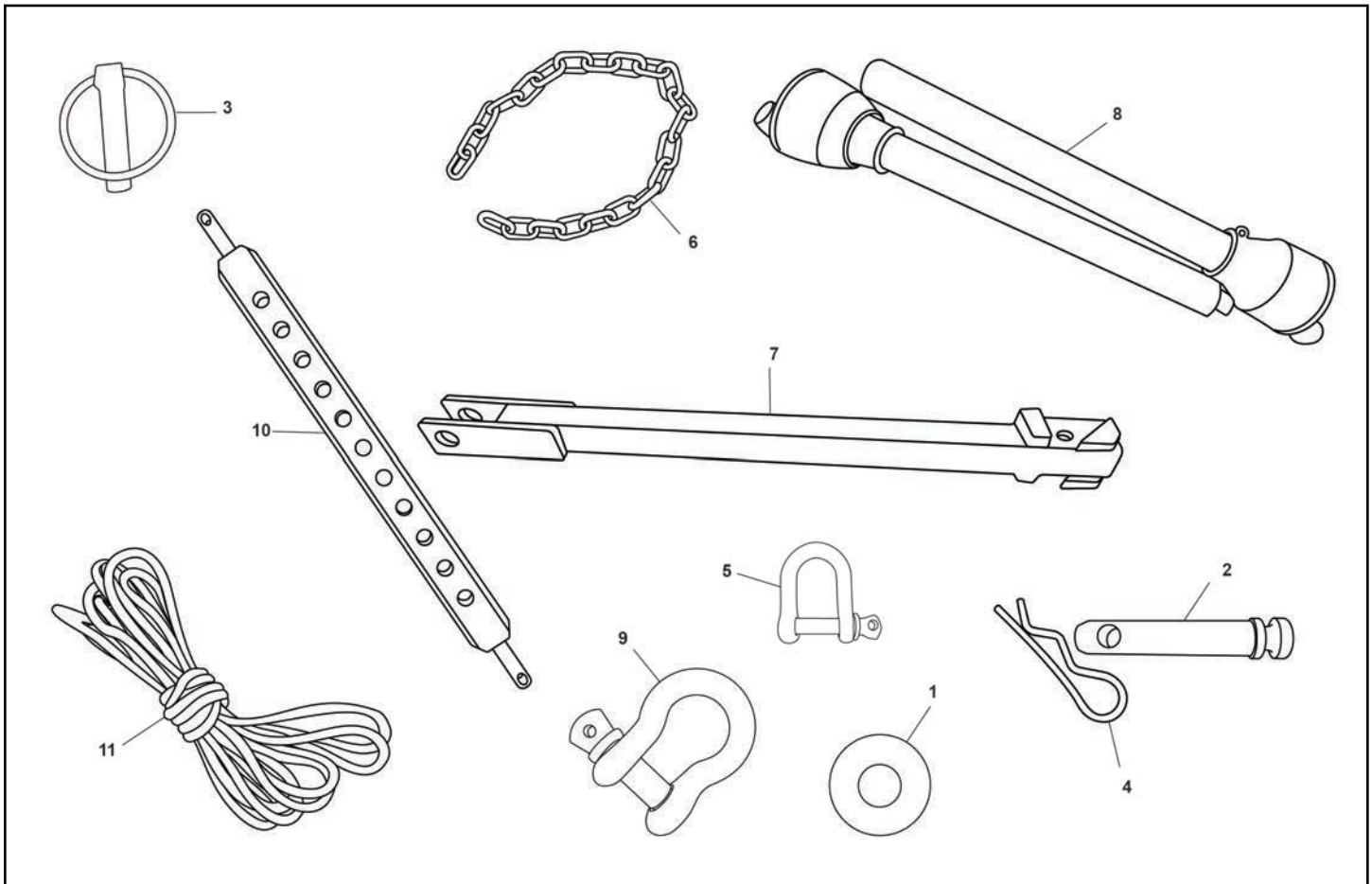
| No. | Part No. | Name | Qty |
|-----|-----------------------|---|-----|
| 1 | PSRSGB9187 | COTTER PIN (M3.2X16) | 3 |
| 2 | PSRSGB578686M8X15H8-8 | BOLT (M8X15) (8.8) | 1 |
| 3 | PSRSYK701229LWM8 | LOCK WASHER (M8) | 1 |
| 4 | PSRSGB97185FWM8 | FLAT WASHER (M8) | 3 |
| 5 | PSRSYK701205 | ON/OFF ENGAGEMENT ACTUATOR LEVER ROD (13.25") | 1 |
| 6 | PSRSYK701206 | ON/OFF ENGAGEMENT CONNECTING ROD (13.25") | 1 |
| 7 | PSRSYK701212 | SPRING FOR HYDRAULIC PULL ROD | 1 |
| 8 | PSRSYK701232FWM9X24 | FLAT WASHER (M9X24) | 1 |
| 9 | PSRSYK701208 | NYLON ROPE | 1 |
| 10 | PSRSYK701228 | HYDRAULIC ACTUATION LEVER | 1 |
| 11 | PSRSYK701207 | HYDRAULIC PUMP ON/OFF ENGAGEMENT LEVER | 1 |
| 12 | PSRSYK701214 | MANUAL HYDRAULIC ACTUATOR VALVE | 1 |
| 13 | PSRSGBT309892002LNM8 | NYLON LOCK NUT (M8) | 1 |
| 14 | PSRSYK701236FWM8-5X17 | FLAT WASHER (M8.5X17) | 1 |
| 15 | PSRSGB578686M8X25H8-8 | BOLT (M8X25) (8.8) | 1 |

14. PUSH BUTTON TAILGATE KIT **IBEX**



| No. | Part No. | Name | Qty |
|-----|--------------|-------------------------------------|-----|
| 1 | PSIBYK701301 | WIRELESS REMOTE CONTROL TRANSMITTER | 1 |
| 2 | PSIBYK701302 | WIRELESS RECIEVER | 1 |
| 3 | PSIBYK701303 | WIRELESS PUSH BUTTON KIT (BATTERY) | 1 |
| 4 | PSIBYK701304 | WIRE HARNESS | 1 |
| 5 | PSIBYK701305 | VALVE BODY | 1 |
| 6 | PSIBYK701306 | ELECTROMAGNETIC SOLENOID | 1 |
| 7 | PSIBYK701307 | RELAY (LED INDICATOR RESISTOR) | 1 |
| 8 | PSIBYK701308 | PROTECTIVE CASE | 1 |

15. Drawbar Kit



| No. | Part No. | Name | Qty |
|-----|--------------|---------------------------------|-----|
| 1 | PSIB03041677 | LARGE WASHER | 2 |
| 2 | PSIB05512242 | TOP LINK PIN | 1 |
| 3 | PSIB05583790 | LINCHPIN | 2 |
| 4 | PSIB05924841 | HAIRPIN COTTER | 1 |
| 5 | PSIB31230799 | SMALL SHACKLE | 2 |
| 6 | PSIB31280220 | LOWER LIMIT CHAIN | 1 |
| 7 | PSIB31629826 | TX31 DRAWBAR | 1 |
| 8 | PSRSSHAFT110 | 44" PTO SHAFT | 1 |
| 9 | PSIB31229433 | LARGE LOWER LIMIT CHAIN SHACKLE | 1 |
| 10 | PSIB31521095 | 3 POINT DRAWBAR | 1 |
| 11 | PSIB31316770 | LONG PULL ROPE | 1 |