



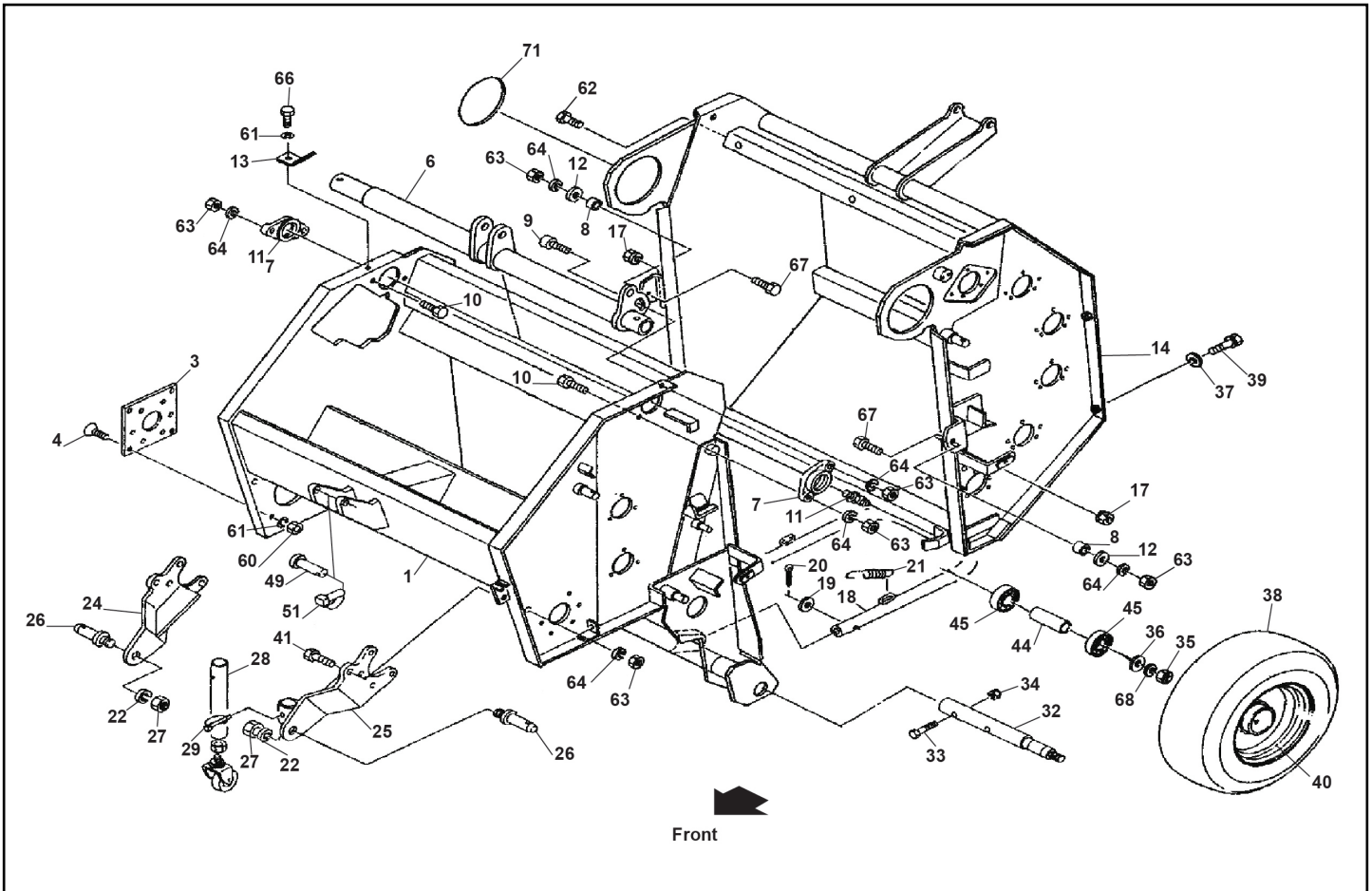
# Parts Manual

Model: IBEX TX31 Mini Round Baler  
Net Wrap



ibexequipment.com  
833-888-IBEX

# 1. Frame



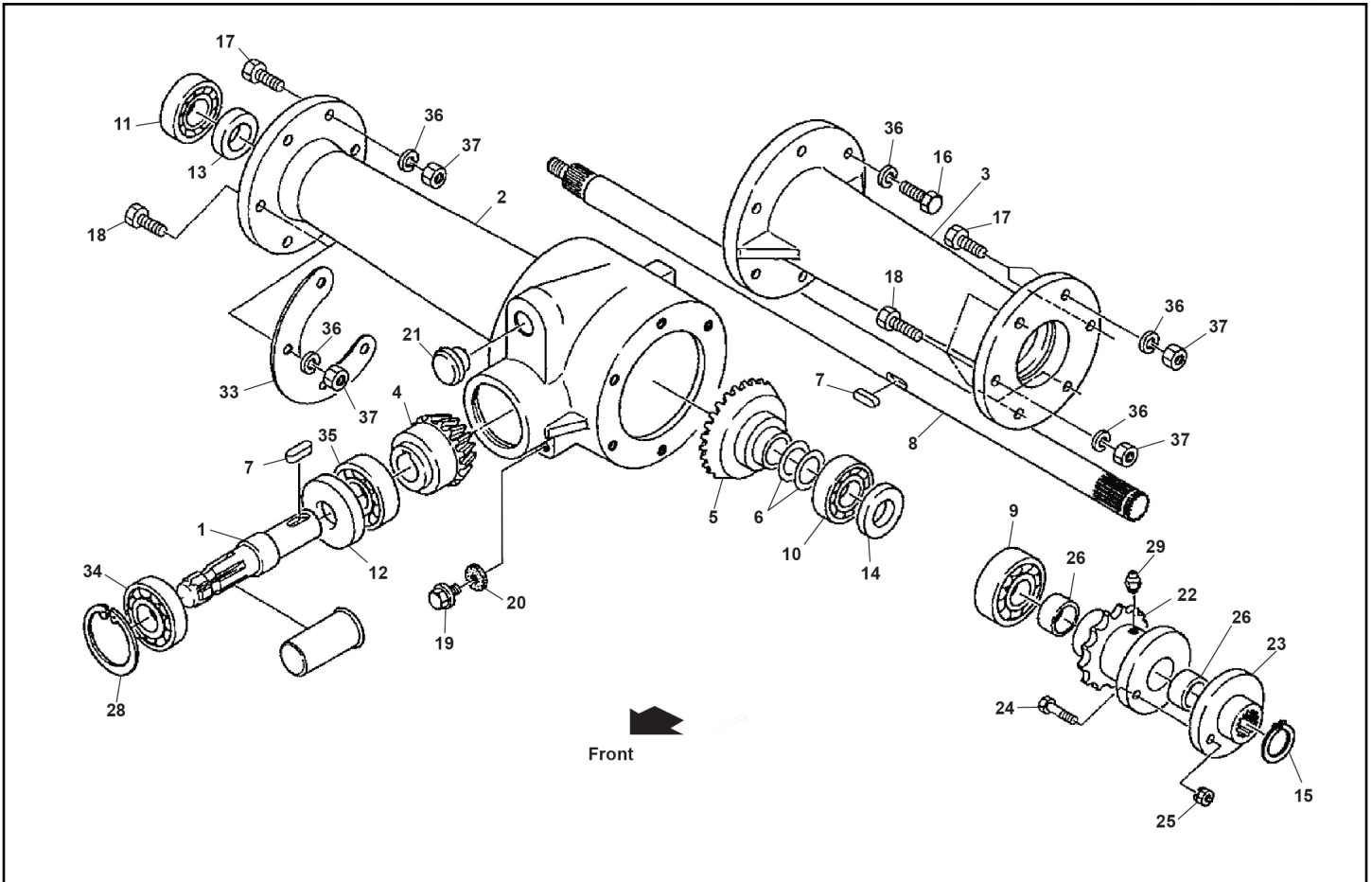
Ref.	Part No.	Description	Qty
1	PSRSYK5010100	FRAME (FRONT)	1
3	PSRSYK70102	SQUARE CONNECTING PLATE	1
4	PSRSGB578686M10X25H8-8	BOLT (M10X25) (8.8)	4
6	PSRSYK5010300	PIVOT PIPE FOR HYDRAULIC CYLINDER	1
7	PSRSYK70104	SUPPORT BEARING	2
8	PSRSYK70105	BUSHING	2
9	PSRSGB7012000TM12X30H10-9	BUTTON HEAD SCREW (M12X30) (10.9)	1
10	PSRSGB578686M12X30H8-8	BOLT (M12X30) (8.8)	3
11	PSRSGB115279	GREASE FITTING (ONB6-M6X1)	2
12	PSRSGB97185125FWM12-5XT3-2	FLAT WASHER (M12.5X3.2)	2
14	PSRSYK5010700	FRAME (Rear)	1
17	PSRSGB71086M8H8-8	NUT (M8) (8.8)	4
18	PSRSYK70109	BALE KICKER (U-Bar)	1
19	PSRSGB97185FWM10	FLAT WASHER (M10)	1
20	PSRSGB9187CPM3-2X16	SPLIT PIN (3.2X16)	1
21	PSRSYK70110	BALE KICKER SPRING	2
22	PSRSGB9387LWM22	LOCK WASHER (M22)	2
24	PSRSYK7011100	3 POINT HITCH PIN BRACKET (RIGHT)	1

# 1. Frame (cont.)



25	PSRSYK7011200	3 POINT HITCH PIN BRACKET (LEFT)	1
26	PSRSYK70113	CATEGORY 1 PIN	2
27	PSRSGB71086M22X15H8-8	HEXAGON NUT (M22XI.5) (8.8)	2
28	PSRSYK7011400B	STAND WITH HEAVY DUTY CASTER WHEEL	1
29	PSRSHB41871989	LINCHPIN	1
32	PSRSYK70116	WHEEL AXLE SHAFT	2
33	PSRSGB578686M12X70H8-8	BOLT (M12X70) (8.8)	2
34	PSRSGB71086M12LNM12	NYLON LOCK NUT (M12)	2
35	PSRSGB671086M14	NUT (M14)	2
36	PSRSGB671087FWM14	FLAT WASHER (M14)	4
37	PSRSGB971858FWM8	FLAT WASHER (M8)	9
38	PSRSGB11928240012	TIRE (5.70/5.00-8)	2
39	PSRSGB578686M8X16H8-8	BOLT (M8X16) (8.8)	9
40	PSRSYK70117	WHEEL/RIM	2
41	PSRSGB578686M12X55H8-8	BOLT (M12X55) (8.8)	2
44	PSRSYK70128	BUSHING	2
45	PSRSGB297846205-2RS	BEARING (6205-2RS)	4
49	PSRSYK70118	TOP LINK PIN	1
51	PSRSDIN110241973	LINCHPIN FOR TOP LINK PIN	1
60	PSRSGB671086M10H8-8	HEX NUT (M10) (8.8)	4
61	PSRSGB9387LWM10	LOCK WASHER (M10)	5
62	PSRSGB578686M8X25H8-8	BOLT (M8X25) (8.8)	2
63	PSRSGB671086M12	HEX NUT (M12)	8
64	PSRSGB9387LWM12	LOCK WASHER (M12)	8
66	PSRSGB578686M10X25H8-8	HEXAGON BOLT (M10X25) (8.8)	1
67	PSRSGB578686M10X50H8-8	HEXAGON BOLT (M10X50) (8.8)	2
68	PSRSGB9387LWM14	LOCK WASHER (M14)	2
69	PSRSYK70126	WHEEL STUD BOLT	8
70	PSRSYK70125	WHEEL LUG NUT	8
71	PSRSYK70127	HINGE BUSHING	2
72	PSRSYK70129	WHEEL HUB ASSEMBLY	2

# 2. Gearbox



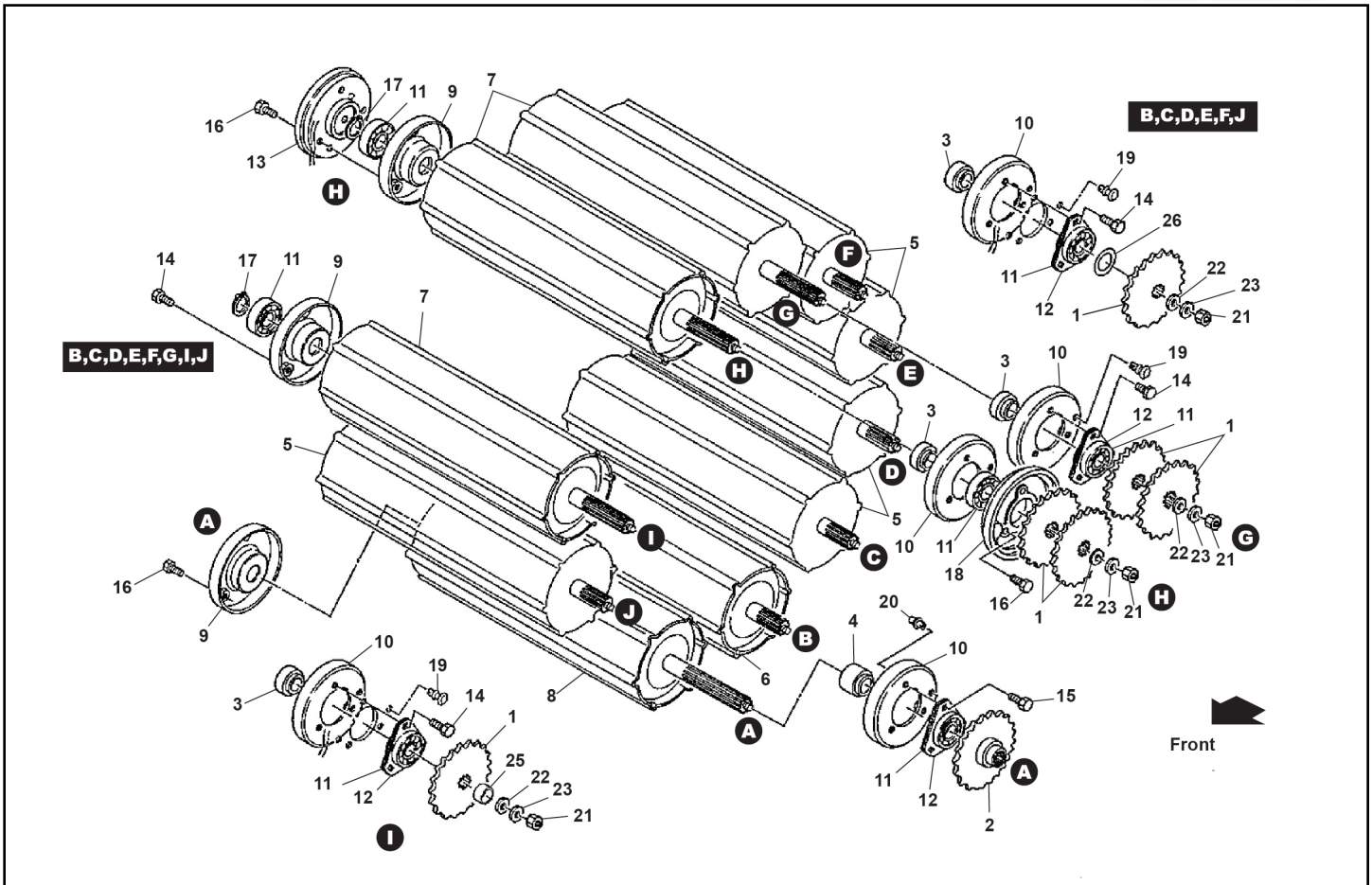
No.	Part No.	Name	Qty
1	PSRSYK70201	SPLINED INPUT SHAFT	1
2	PSRSYK70202	GEARBOX HOUSING (PASSENGER SIDE, R)	1
3	PSRSYK70203	AXLE HOUSING (DRIVERS SIDE, L)	1
4	PSRSYK70204	PINION GEAR	1
5	PSRSYK70205	RING GEAR	1
6	PSRSYK70211	SHIM	2
7	PSRSGB109679MK7X7X25	MACHINE KEY (7X7X25)	2
8	PSRSYK70206	AXLE SHAFT	1
9	PSRSGB297846305-2RS	BEARING (6305-2RS)	1
10	PSRSGB297846305-O	BEARING (6305)	1
11	PSRSGB297846304-2RS	BEARING (6304-2RS)	1
12	PSRSJB260080S40X62X10	OIL SEAL (40X62X10)	1
13	PSRSJB260080S25X45X7	OIL SEAL (25X45X7)	1
14	PSRSJB260080S25X52X8	OIL SEAL (25X52X8)	1
15	PSRSGB894186E24	SNAP RING (24mm EXTERNAL)	1
16	PSRSGB578686M10X30H8-8	BOLT (M10X30) (8.8)	6
17	PSRSGB578686M10X35H8-8	BOLT (M10X35) (8.8)	4
18	PSRSGB578686M10X50H8.8	BOLT (M10X50) (8.8)	8

## 2. Gearbox (cont.)



19	PSRSGB66497	DRAIN PLUG	1
20	PSRSGB45344	OIL PLUG GASKET (WASHER)	1
21	PSRSYK70210	GEARBOX OIL FILL PLUG	1
22	PSRSYK70207	MAIN DRIVE SPROCKET- 16T	1
23	PSRSYK70208	MAIN DRIVE SHEAR BOLT PLATE	1
24	PSRSGB57862000	SHEAR BOLT FOR TX31 BALERS	1
25	PSRSGB671086LN	LOCK NUT FOR SHEAR BOLT - TX31 BALERS	1
26	PSRSYK70212	BUSHING FOR SHEAR BOLT SPROCKET	2
28	PSRSGB893186I62	SNAP RING	1
29	PSRSGB1152x79M6	GREASE FITTING (M6)	1
33	PSRSYK70209	C-HUB PLATE	1
34	PSRSGB297846007-2RS	BEARING (6007-2RS)	1
35	PSRSGB297846206-ZZ	BEARING (6206-ZZ)	1
36	PSRSGB9387LWM10	LOCK WASHER (M10)	18
37	PSRSGB671086M10	NUT (M10)	12
38	PSRSSBLN12	TX31 BALER SHEAR BOLT & LOCK NUT COMBO, PACK OF 12	1
39	PSRSYK70213	GEARBOX AXLE HOUSING GASKET	1

# 3. Rollers



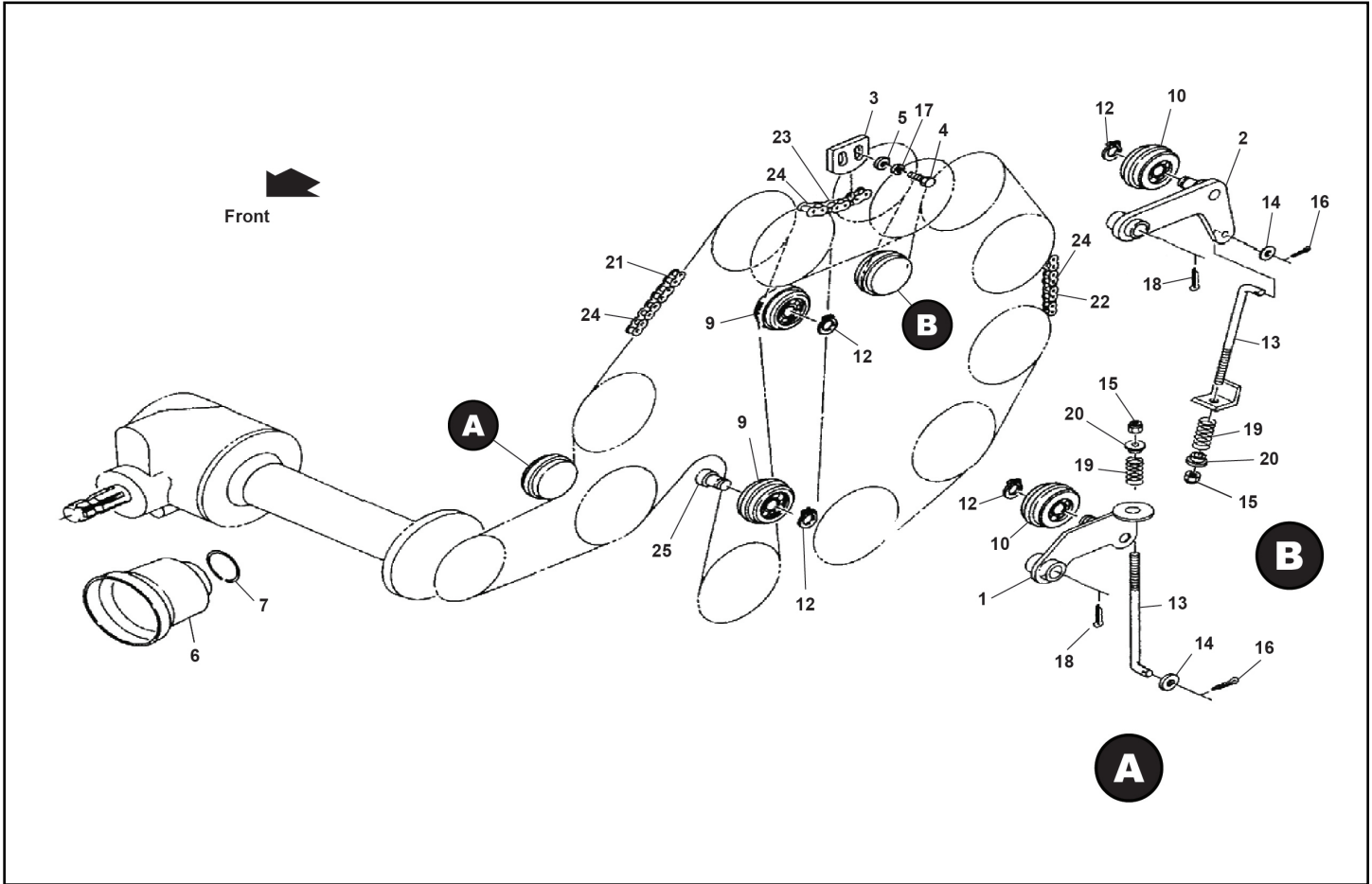
No.	Part No.	Name	Qty
1	PSRSYK70301	SPROCKET 22T	11
2	PSRSYK70302	LOWER ROLLER SPROCKET 22T	1
3	PSRSYK70303	BUSHING	9
4	PSRSYK70304	BUSHING	1
5	PSRSYK7030500	MID ROLLER (C, D, E, F, J)	5
6	PSRSYK7030600	LOWER ROLLER (B)	1
7	PSRSYK7030700	UPPER ROLLER (G, H, I)	3
8	PSRSYK7030800A25	MAIN DRIVE ROLLER WITH 25MM SHAFT (A)	1
8	PSRSYK7030800A30	MAIN DRIVE ROLLER, NEW DESIGN WITH 30MM SHAFT	1
9	PSRSYK7030900	ROLLER FLANGE (PASSENGER SIDE, R)	10
10	PSRSYK7031000	ROLLER FLANGE (DRIVERS SIDE, L)	10
11	PSRSGB781087CS205-2RS	BEARING (CS205-2RS)	20
12	PSRSGBT78131998	BEARING SEAT	18
13	PSRSYK70311	HINGE COVER PLATE (PASSENGER SIDE, R)	1
14	PSRSGB578686M8X25H8-8	BOLT (M8X25) (8.8)	48
15	PSRSGB578686M8X25H8-8	BOLT (M8X25) (8.8)	3
16	PSRSGB578686M8X30H8-8	BOLT (M8X30) (8.8)	9
17	PSRSGB894186E25	SNAP RING 25MM EXTERNAL	10

### 3. Rollers (cont.)



18	PSRSYK70312	HINGE COVER PLATE (DRIVERS SIDE, L)	1
19	PSRSYK703RVT1	RIVET	18
20	PSRSYK703RVT2	RIVET	2
21	PSRSGB671086M16	NUT (M16)	9
22	PSRSGB86087FWM17-40	FLAT WASHER (17 ID X 40 OD)	9
23	PSRSGB9387LWM17	LOCK WASHER (M17)	9
25	PSRSYK70313	BUSHING	1

# 4. Chains & Pulley



No.	Part No.	Name	Qty
1	PSRSYK7040100	LOWER TENSIONER ARM	1
2	PSRSYK7040200	UPPER TENSIONER ARM	1
3	PSRSYK70403	CHAIN TENSIONER GUIDE PLATE	1
4	PSRSGB578686M8X20H8-8	BOLT (M8X20) (8.8)	2
5	PSRSGB86087FWM8	FLAT WASHER (M8)	2
6	PSRSYK70411	PTO COVER	1
7	PSRSYK70409	RETAINING RING	1
9	PSRSYK70404	IDLER PULLEY (INCLUDES BEARING)	2
10	PSRSYK70404	TENSIONER PULLEY (INCLUDES BEARING)	2
12	PSRSYK70410E17	SNAP RING 17MM EXTERNAL	5
13	PSRSYK50405	CHAIN TENSIONER ADJUSTMENT ROD	2
14	PSRSGB97185FWM10	FLAT WASHER (10mm ID X 20mm OD)	2
15	PSRSYK70410M10	NUT (M10)	2
16	PSRSGB9187CPM1-8X35	COTTER PIN (1.8T X 35L)	2
17	PSRSYK70412LWM8	LOCK WASHER (M8)	2
18	PSRSGB9187CPM2-6X25	COTTER PIN (2.6T X 35L)	2
19	PSRSYK70406	CHAIN COMPRESSION TENSION SPRING	2
20	PSRSYK70407	SPRING SEAT	2

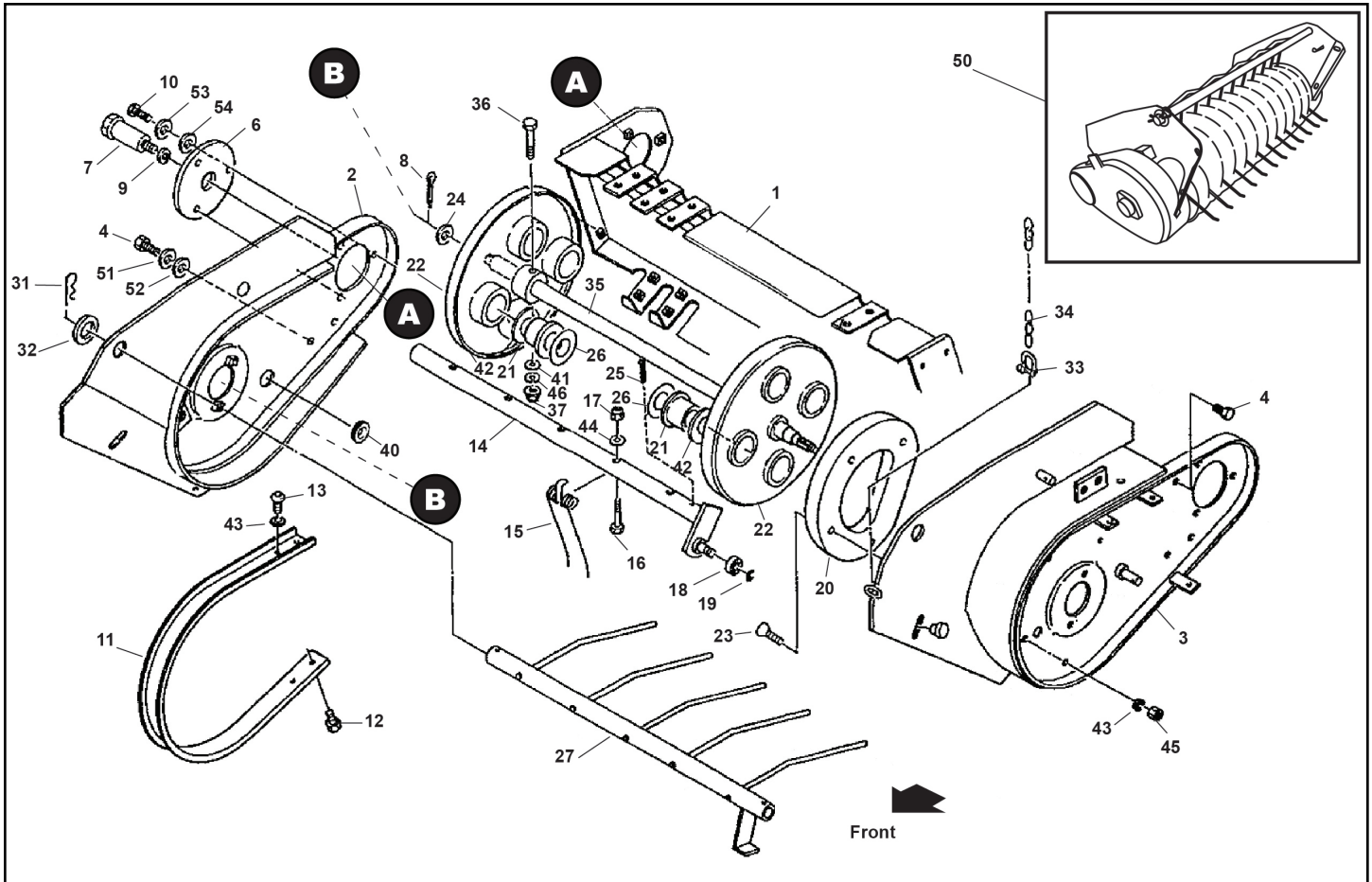


## 4. Chains & Pulley (cont.)



21	PSRSGBT12432006L144	FRONT DRIVE CHAIN	1
22	PSRSGBT12432006L126	REAR DRIVE CHAIN	1
23	PSRSGBT12432006L42	DRIVE CONNECTING CHAIN	1
24	PSRSGBT12432006ML50S	CHAIN MASTER LINK (#50 STANDARD DUTY)	3
25	PSRSYK70408	MOUNTING PIN FOR IDLER PULLEY	2

# 5. Pickup



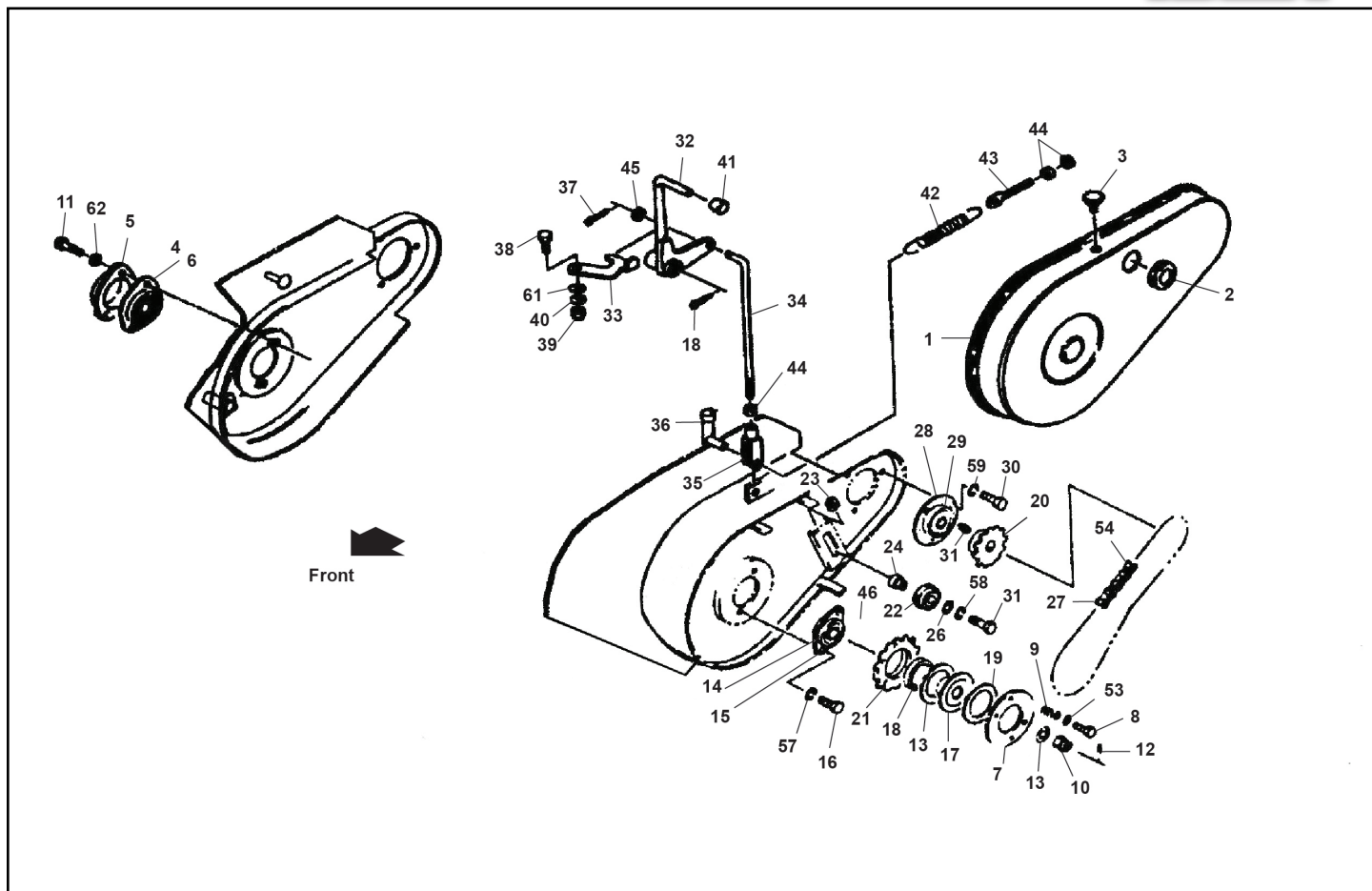
No.	Part No.	Name	Qty
1	PSRSYK7050100	PICKUP HEAD FRAME (REAR)	1
2	PSRSYK7050200	SIDE FRAME (PASSENGER SIDE, R)	1
3	PSRSYK7050300	SIDE FRAME (DRIVERS SIDE, L)	1
4	PSRSGB578686M8X25H8-8	BOLT (M8X25) (8.8)	5
6	PSRSYK70504	TRI-BOLT FLANGE	1
7	PSRSYK70505	PICKUP AXIS BOLT	1
8	PSRSGB9187CPM5X36	COTTER PIN (5T x 36L)	1
9	PSRSGB9387LWM14	LOCK WASHER	1
10	PSRSGB578686M8X30H8-8	BOLT (M8X30) (8.8)	3
11	PSRSYK70506	PICKUP STRIPPER	11
12	PSRSGB578686	PICKUP STRIPPER LOWER BOLT	22
13	PSRSRBT08020	PICKIP STRIPPER UPPER ALLEN HEAD BOLT	22
14	PSRSYK7050700	TINE BAR	4
15	PSRSYK70508	PICKUP TINE	24
16	PSRSGB578686M8X55	PICKUP TINE ATTACHMENT BOLT - (M8X55)	24
17	PSRSGBT309892002M8	PICKUP TINE ATTACHMENT NUT - (M8)	24
18	PSRSGB7810876201-2RS	BEARING (6201-2RS)	4
19	PSRSGB894186E12	SNAP RING 12MM EXTERNAL	4

# 5. Pickup (cont.)



20	PSRSYK70509	CAM TRACK	1
21	PSRSYK70510	NYLON SLEEVE BUSHING	8
22	PSRSYK7051100	PICKUP SHAFT SIDE PLATE	2
23	PSRSGBT7032008	SET SCREW	4
24	PSRSYK70512	SHIM	2
25	PSRSGB9187RPM	ROLL PIN	8
26	PSRSGB86087FWM35T1-2	FLAT WASHER (M35X1.2)	12
27	PSRSYK70513	WIND GUARD	1
31	PSRSYK70518	R-CLIP	2
32	PSRSGB86087FWM23X40T3	FLAT WASHER (23mm ID X 40mm OD X 3mm THICKNESS)	3
33	PSRSYK70519	SHACKLE	2
34	PSRSYK70520	LOW LIMIT CHAIN (4X23PX32)	1
35	PSRSYK70515	PICKUP CENTER SHAFT	1
36	PSRSGB578686M10X70H10-9	BOLT (M10X70) (10.9)	2
37	PSRSGBT309892002LNM10	NYLON LOCK NUT (M10)	2
40	PSRSYK70517	RUBBER DUST COVER	1
41	PSRSGB86087FWM10	FLAT WASHER (M10)	2
42	PSRSGB86087FWM43T3-5	FLAT WASHER (M43X3.5)	8
43	PSRSGB9387LWM8	LOCK WASHER (M8)	28
44	PSRSGB671086FWM8	PICKUP TINE ATTACHMENT FLAT WASHER (M8)	24
45	PSRSGB671086M8H8-8	NUT (M8) (8.8)	4
46	PSRSGB9387LWM10	LOCK WASHER (M10)	2
50	PSRSPU	PICKUP ASSEMBLY	1
51	PSRSYK70521LWM8	LOCK WASHER (M8)	5
52	PSRSYK70522FWM8	FLAT WASHER (M8)	5
53	PSRSYK70523LWM8	LOCK WASHER (M8)	3
54	PSRSYK70524FWM8	FLAT WASHER (M8)	3

# 6. Pickup Drive



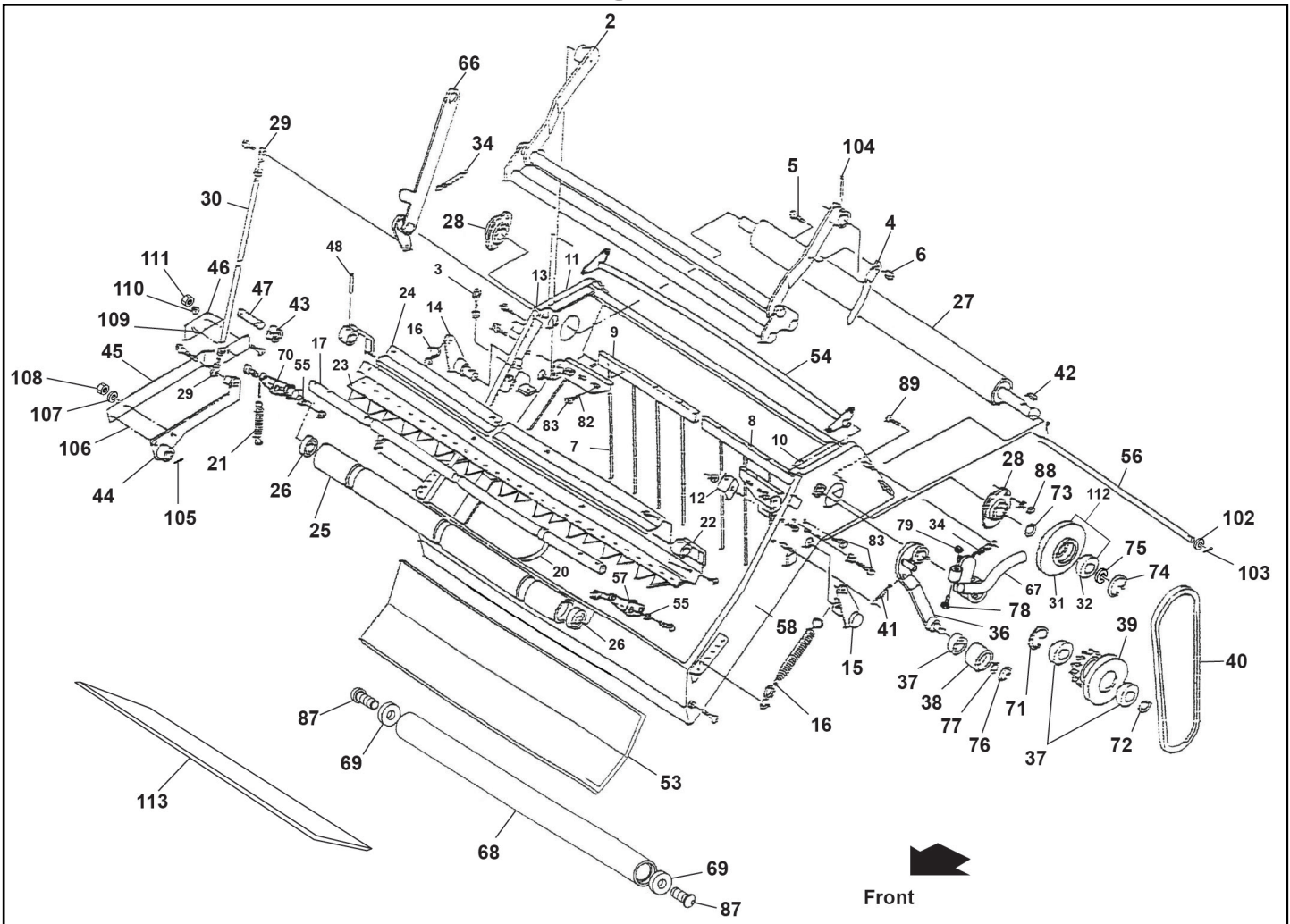
No.	Part No.	Name	Qty
1	PSRSYK7060100	PICKUP DRIVE SIDE COVER	1
2	PSRSYK70517	RUBBER DUST COVER	1
3	PSRSYK70623	THREADED KNOB (M8X14)	3
4	PSRSGB781087CS204-2RS	BEARING (CS204-2RS)	1
5	PSRSYK70618	BEARING COVER	1
6	PSRSYK70621	BEARING SEAT	1
7	PSRSYK70603	SLIP CLUTCH OUTER PLATE	1
8	PSRSGB578686M10X65H8-8	BOLT (M10X65) (8.8)	4
9	PSRSYK70604	FRICTION CLUTCH SPRING	4
10	PSRSGB97185CNM20X1-5	CASTLE NUT (M20X1.5 GB9457)	1
11	PSRSGB578686M8X25H8-8	BOLT (M8X25) (8.8)	2
12	PSRSGB9187CPM4X25	COTTER PIN (4X25)	1
13	PSRSGB86087FWM20	FLAT WASHER (M20)	1
14	PSRSGBT78131998	BEARING SEAT (PFL205)	2
15	PSRSGB781087	BEARING (CS205-2RS)	1
16	PSRSGB578686M10X20H8-8	BOLT (M10X20) (8.8)	2
17	PSRSYK70605	SLIP CLUTCH MIDDLE PLATE	1
18	PSRSYK70606	SLIP CLUTCH SPROCKET BUSHING	1

# 6. Pickup Drive (cont.)



19	PSRSYK70607	SLIP CLUTCH FRICTION DISC	2
20	PSRSYK70608	PICKUP DRIVE SPROCKET (RS50X19T)	1
21	PSRSYK70609	PICKUP SLIP CLUTCH SPROCKET (RS50X32T) (INCLUDES INNER BUSHING)	1
22	PSRSYK70404	CHAIN TENSION PULLEY WITH BEARING	1
23	PSRSGBT136801992	SQUARE NUT	1
24	PSRSYK70611	BUSHING	1
26	PSRSGB86087FWM12	FLAT WASHER (M12)	1
27	PSRSGBT12432006L59	PICKUP DRIVE CHAIN (10A-59X1)	1
28	PSRSGBT78131992	BEARING SEAT	2
29	PSRSGB781087CS206-2RS	BEARING (CS206-2RS)	1
30	PSRSGB578686M10X20H8-8	BOLT (M10X20) (8.8)	3
32	PSRSYK70626	TRANSPORT HANDLE (NET WRAP BALER ONLY)	1
33	PSRSYK70613	HOOK PLATE FOR PICKUP (TRANSPORT MODE)	1
34	PSRSYK50614	PICKUP TRANSPORT CONNECTING ROD	1
35	PSRSYK70615	PICKUP TRANSPORT CONNECTING ROD YOKE (10X40)	1
36	PSRSGB88286PM10X40	PIN (10X40)	1
37	PSRSGB9187CPM3-2X16	COTTER PIN (3.2X16)	1
38	PSRSGB578686M10X30H8-8	BOLT (M10X30) (8.8)	1
39	PSRSGBT309892002LNM10	NYLON LOCK NUT (M10)	1
40	PSRSJBZ043402006FWM10	WASHER (10mm ID X 20mm OD X 2mm THICKNESS)	2
41	PSRSYK70610	HANDLE CAP	1
42	PSRSYK70617	EXTENSION SPRING (H)	2
43	PSRSYK70622	THREADED EYE BOLT (M10)	2
44	PSRSGB671086M10H8-8	NUT (M10) (8.8)	3
45	PSRSGB97185FWM10	FLAT WASHER (M10)	1
53	PSRSGB86087FWM10	FLAT WASHER FOR SLIP CLUTCH (M10)	4
54	PSRSGBT12432006ML50S	CHAIN MASTER LINK	1
57	PSRSGB9387LWM10	LOCK WASHER (M10)	2
58	PSRSGB9387LWM12	LOCK WASHER (M12)	1
59	PSRSGB9387LWM10	LOCK WASHER (M10)	3
60	PSRSYK70619	SLIP CLUTCH ASSEMBLY	1
61	PSRSYK70624	BUSHING (10mm ID X 22mm OD X 8mm THICKNESS)	1
62	PSRSYK70625FWM8	FLAT WASHER (M8)	2
62	PSRSYK70625FWM8	FLAT WASHER (M8)	2

# 7. Net Wrap Binding



Ref.	Part No.	Description	Qty
2	PSRSYK70M02	WEIGHTED BAR ASSEMBLY	1
3	PSRSYK70M03	EYEBOLT (M8)	2
4	PSRSYK70M04	WEIGHTED BAR LIFT SUPPORT	1
5	PSRSYK70M05	ALLEN HEAD BOLT	1
6	PSRSYK70M06	LOCK NUT	1
7	PSRSYK70M07	NET GUIDE FORK	1
8	PSRSYK70M08	NET GUIDE FORK BRACKET (DRIVER SIDE)	1
9	PSRSYK70M09	NET GUIDE FORK BRACKET (PASSENGER SIDE)	1
10	PSRSYK70M10	TOP COVER MOUNTING BRACKET (DRIVER SIDE)	1
11	PSRSYK70M11	TOP COVER MOUNTING BRACKET (PASSENGER SIDE)	1
12	PSRSYK70M12	NET GUIDE FORK BOLT	8
13	PSRSYK70M13	CURVED UPPER NET GUIDE BAR BOLT	4
14	PSRSYK70M14	WEIGHTED BAR PRESSURE LEVER (PASSENGER SIDE)	1
15	PSRSYK70M15	WEIGHTED BAR PRESSURE LEVER (DRIVER SIDE)	1
16	PSRSYK70M16	WEIGHTED BAR PRESSURE SPRING	2
17	PSRSYK70M17	SLOTTED RETENTION STRIP GUIDE BAR	1

# 7. Net Wrap Binding (cont.)



20	PSRSYK70M20	NET RETENTION STRIP	3
21	PSRSYK70M21	SPRING	2
22	PSRSYK70M22	NET CUTTING BLADE MOUNTING BRACKET	1
23	PSRSYK70M23	NET CUTTING BLADE	19
24	PSRSYK70M24	NET CUTTING BLADE MOUNTING BRACKET TOP PLATE	1
25	PSRSYK70M25	NET FEEDING STEEL ROLLER	1
26	PSRSYK70M26	BEARING (6004-RSR)	2
27	PSRSYK70M27	NET FEEDING RUBBER ROLLER	1
28	PSRSYK70M28	BEARING (SBPFL204)	2
29	PSRSYK70M29	EYEBOLT (M6)	2
30	PSRSYK70M30	ADJUSTABLE CONNECTING ROD	1
31	PSRSYK70M31	NET TENSIONER UPPER PULLEY	1
32	PSRSYK70M32	ONE WAY BEARING (CSK20-PC5)	1
34	PSRSYK70M34	SPRING	2
36	PSRSYK70M36	BELT TENSIONER LEVER	1
37	PSRSYK70M37	BEARING (6203-2RS)	3
38	PSRSYK70M38	BELT TENSION ROLLER	1
39	PSRSYK70M39	NET TENSIONER LOWER PULLEY	1
40	PSRSYK70M40	BELT (Z40)	1
41	PSRSYK70M41	BELT TENSIONER RETURN SPRING	1
42	PSRSYK70M42	MACHINE KEY (6×6×12)	1
43	PSRSYK70M43	THREADED ROD JAM NUT (M16)	1
44	PSRSYK70M44	NET METERING PIVOT BRACKET	1
45	PSRSYK70M45	NET METERING KNIFE ARM	1
46	PSRSYK70M46	NET WRAP METERING KNIFE	1
47	PSRSYK70M47	METERING KNIFE THREADED ROD	1
48	PSRSYK70M48	NET CUTTING BLADE MOUNTING BRACKET ROLL PIN	4
53	PSRSYK70M53	NET WRAP CHAMBER SUPPORT REAR PLATE	1
54	PSRSYK70M54	CURVED UPPER NET GUIDE BAR	1
55	PSRSYK70M55	BUSHING	2
56	PSRSYK70M56	FRONT NET GUIDE BAR	1
57	PSRSYK70M57	NET FEEDING STEEL ROLLER TENSIONER ARM (DRIVER SIDE)	1
58	PSRSYK70M058	NET WRAP BINDING MAIN FRAME	1
66	PSRSYK70M66	NET WRAP FEEDING LEVER	1
67	PSRSYK70M67	NET WRAP BELT BRAKE	1
68	PSRSYK70M68	NET WRAP LOWER GUIDE ROLLER	1
69	PSRSYK70M69	BEARING (6001-2RS)	2
70	PSRSYK70M70	NET FEEDING STEEL ROLLER TENSIONER ARM (PASSENGER SIDE)	1
71	PSRSYK70M71	C CLIP NET TENSION LOWER PULLEY REAR	1
72	PSRSYK70M72	C CLIP NET TENSION LOWER PULLEY FRONT	1

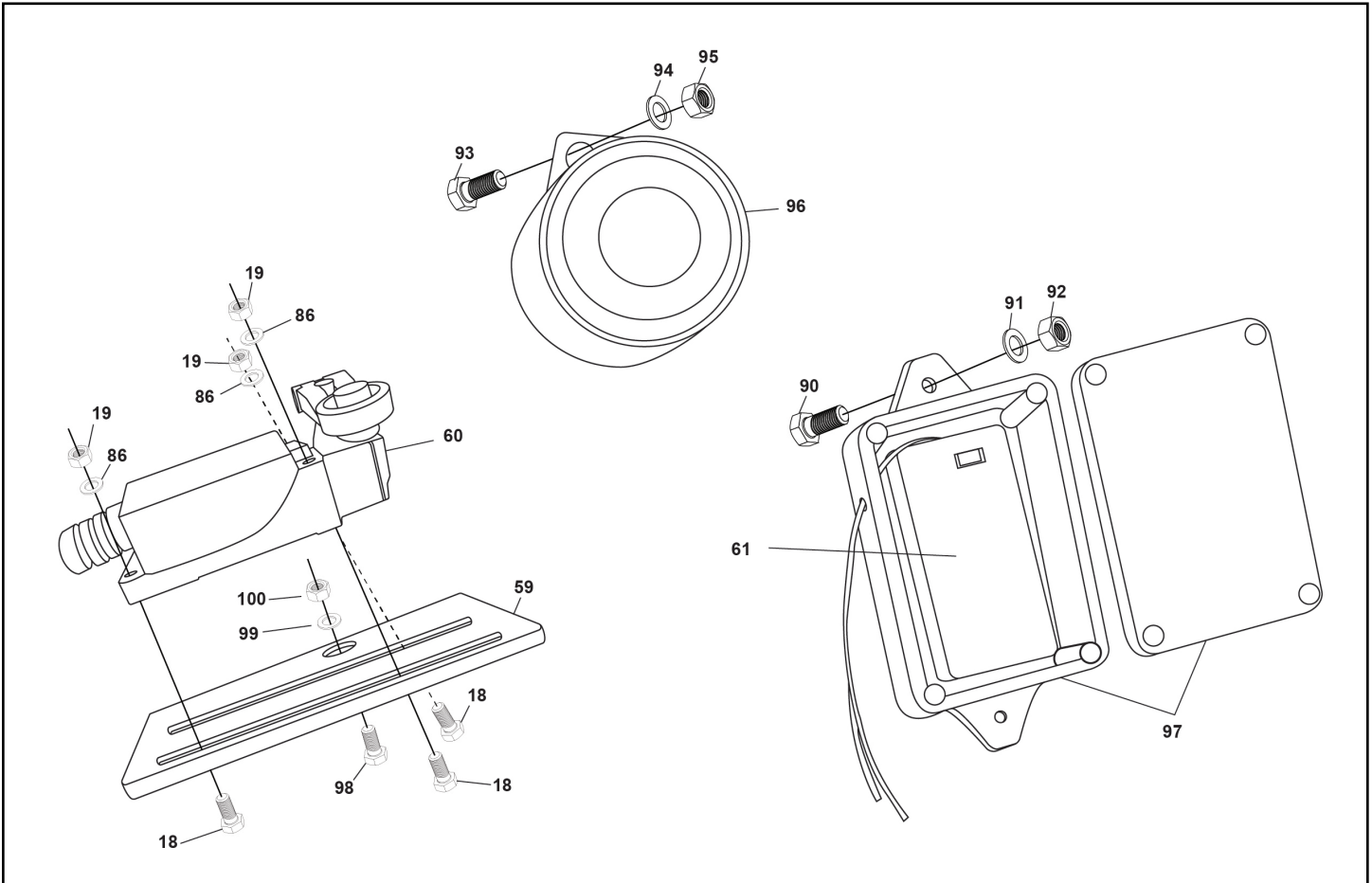
# 7. Net Wrap Binding (cont.)



73	PSRSYK70M73	RETAINING CLIP UPPER PULLEY REAR	1
74	PSRSYK70M74	RETAINING CLIP UPPER PULLEY FRONT	1
75	PSRSYK70M75	WASHER FOR BEARING (NET TENSION UPPER PULLY)	1
76	PSRSYK70M76	BELT TENSIONER ROLLER C CLIP	1
77	PSRSYK70M77	BELT TENSIONER BEARING C CLIP	1
78	PSRSYK70M78	NET BELT BRAKE ADJUSTMENT BOLT	1
79	PSRSYK70M79	NET BELT BRAKE ADJUSTMENT JAM NUT	1
82	PSRSYK70M82	NET GUIDE FORK NUT	8
83	PSRSYK70M83	NET GUIDE FORK BRACKET BOLT	8
87	PSRSYK70M87	NET WRAP LOWER GUIDE ROLLER BOLT	2
88	PSRSYK70M88	BEARING (SBPFL204) BOLT	4
89	PSRSYK70M89	CURVED UPPER NET GUIDE BAR	4
102	PSRSYK70M102	FRONT NET GUIDE BAR FLAT WASHER	2
103	PSRSYK70M103	FRONT NET GUIDE BAR COTTER PIN	2
104	PSRSYK70M104	WEIGHTED BAR ROLL PIN	2
105	PSRSYK70M105	NET METERING PIVOT BRACKET COTTER PIN	1
106	PSRSYK70M106	NET METERING KNIFE ARM BOLT	2
107	PSRSYK70M107	NET METERING KNIFE ARM FLAT WASHER	2
108	PSRSYK70M108	NET METERING KNIFE ARM LOCK NUT	2
109	PSRSYK70M109	NET WRAP METERING KNIFE BOLT	2
110	PSRSYK70M110	NET WRAP METERING KNIFE FLAT WASHER	2
111	PSRSYK70M111	NET WRAP METERING KNIFE LOCK NUT	2
112	PSRSYK70M112	NET TENSIONER UPPER PULLEY WITH ONE WAY BEARING ASSEMBLY	1
113	PSRSYK70M113	NET WRAP CHAMBER SUPPORT FRONT PLATE	1
112	PSRSYK70M112	NET TENSIONER UPPER PULLEY WITH ONE WAY BEARING ASSEMBLY	1
113	PSRSYK70M113	NET WRAP CHAMBER SUPPORT FRONT PLATE	1
102	PSRSYK70M102	FRONT NET GUIDE BAR FLAT WASHER	2
103	PSRSYK70M103	FRONT NET GUIDE BAR COTTER PIN	2
104	PSRSYK70M104	WEIGHTED BAR ROLL PIN	2
105	PSRSYK70M105	NET METERING PIVOT BRACKET COTTER PIN	1
106	PSRSYK70M106	NET METERING KNIFE ARM BOLT	2
107	PSRSYK70M107	NET METERING KNIFE ARM FLAT WASHER	2
108	PSRSYK70M108	NET METERING KNIFE ARM LOCK NUT	2
109	PSRSYK70M109	NET WRAP METERING KNIFE BOLT	2
110	PSRSYK70M110	NET WRAP METERING KNIFE FLAT WASHER	2
111	PSRSYK70M111	NET WRAP METERING KNIFE LOCK NUT	2
112	PSRSYK70M112	NET TENSIONER UPPER PULLEY WITH ONE WAY BEARING ASSEMBLY	1
113	PSRSYK70M113	NET WRAP CHAMBER SUPPORT FRONT PLATE	1

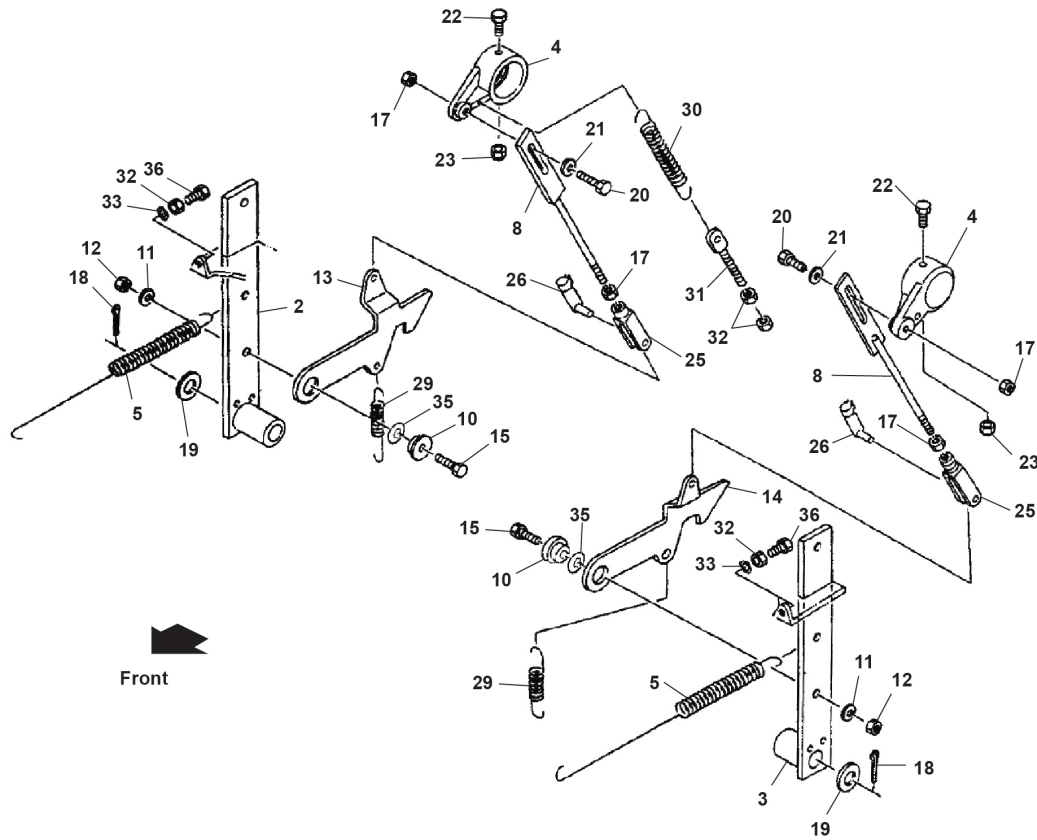


# 8. Bale Full Components



No.	Part No.	Name	Qty
18	PSRSYK70M18	BALE FULL SWITCH BOLT	3
19	PSRSYK70M19	BALE FULL SWITCH NUT	3
59	PSRSYK70M059	BALE FULL SLOTTED SWITCH PLATE	1
60	PSRSYK70M060	BALE FULL SWITCH	1
61	PSRS9VBOX	INTERNAL BATTERY BOX	1
86	PSRSYK70M86	BALE FULL SWITCH FLAT WASHER	3
90	PSRSYK70M90	BATTERY BOX MOUNTING BOLT	1
91	PSRSYK70M91	BATTERY BOX LOCK WASHER	1
92	PSRSYK70M92	BATTERY BOX NUT	1
93	PSRSYK70M93	SIREN MOUNTING BOLT	1
94	PSRSYK70M94	SIREN LOCK WASHER	1
95	PSRSYK70M95	SIREN NUT	1
96	PSRSHORN2	BALE CHAMBER FULL HORN (BLACK & RED CASE)	1
97	PSRSGB9VBOXEXT	EXTERIOR BATTERY BOX	1
98	PSRSYK70M98	BALE FULL SLOTTED SWITCH PLATE BOLT	1
99	PSRSYK70M99	BALE FULL SLOTTED SWITCH PLATE WASHER	1
100	PSRSYK70M100	BALE FULL SLOTTED SWITCH PLATE NUT	1

# 9. Bale Density Linkage



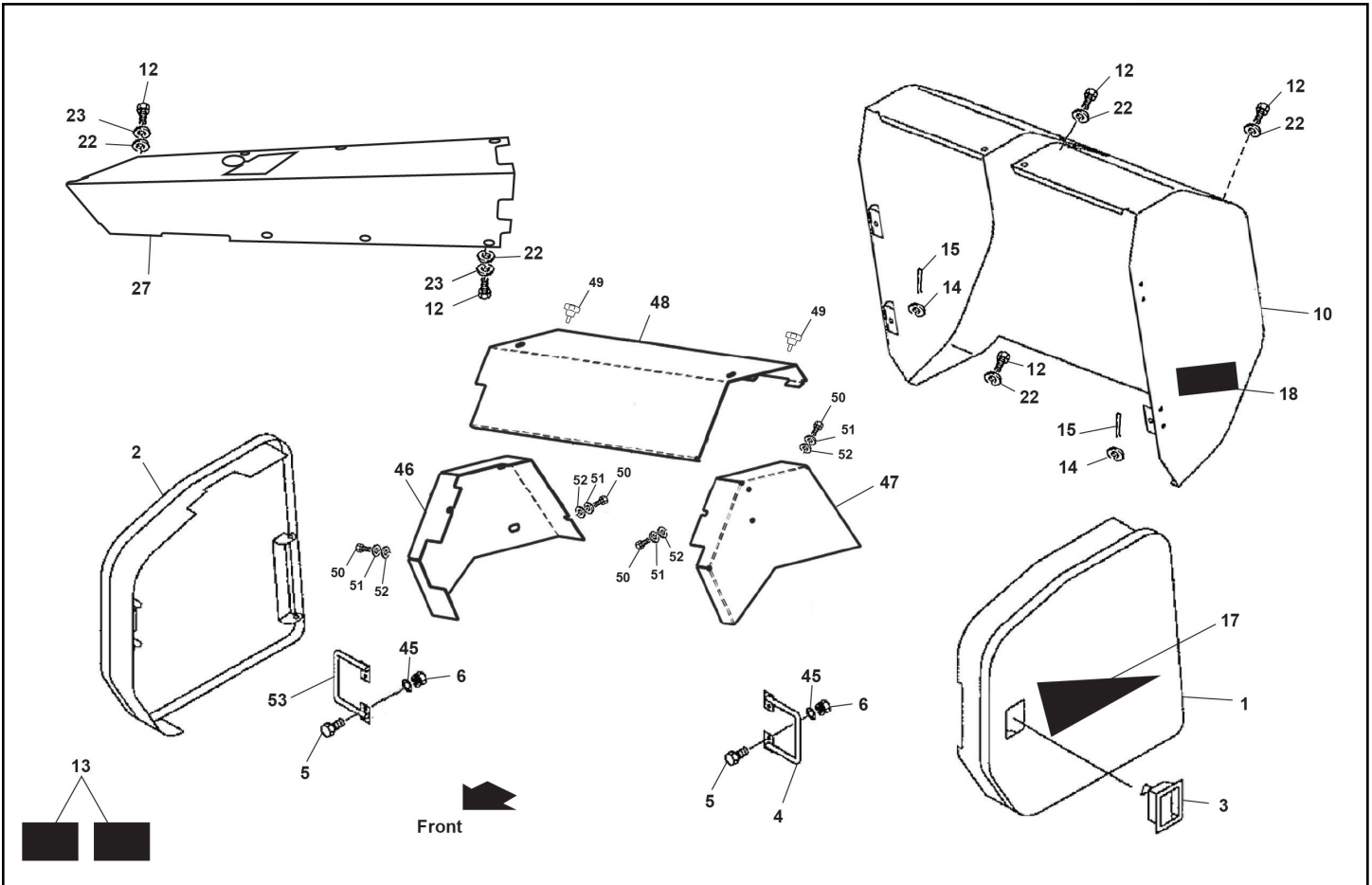
No.	Part No.	Name	Qty
3	PSRSYK70100300	FULCRUM PLATE	2
4	PSRSYK701004	TAILGATE HOOK RESET CAM	2
5	PSRSYK501005	EXTENSION SPRING	2
8	PSRSYK50100800	CONNECTING ROD WITH SLOTTED PLATE	2
10	PSRSYK701009	TAILGATE HOOK PIVOT SLEEVE	2
11	PSRSGB9387LWM10	LOCK WASHER (M10)	2
12	PSRSGB671086M10	NUT (M10)	2
13	PSRSYK701010	TAILGATE HOOK (PASSENGER SIDE, R)	1
14	PSRSYK701011	TAILGATE HOOK (DRIVERS SIDE, L)	1
15	PSRSGB578686M10X35H8-8	BOLT (M10X35) (8.8)	2
17	PSRSPSRSGB671086M8	NUT (M8)	4
18	PSRSGB9187	COTTER PIN	2
19	PSRSGB97185FWM21T1-5	FLAT WASHER (M21X1.5)	2
20	PSRSGB578686M8X25H8-8	BOLT (M8X25) (8.8)	2
21	PSRSGB97185FWM8	FLAT WASHER (M8)	2
22	PSRSGB578686M8X75H8-8	BOLT (M8X75) (8.8)	2
23	PSRSGBT309892002LNM8	NYLON LOCK NUT (M8)	2
25	PSRSYK70713	CONNECTING YOKE (8X32)	2

# 9. Bale Density Linkage (cont.)



26	PSRSYK70714	PIN (8X32)	2
29	PSRSYK701012	EXTENSION SPRING	2
30	PSRSYK701013	GATE LATCH RETURN SPRING	1
31	PSRSYK701014M10	EYEBOLT (M10)	1
32	PSRSGB671086M10	JAM NUT (M10)	4
33	PSRSGB9387FWM10	FLAT WASHER (M10)	2
35	PSRSYK701015M10-5X0-27	SHIM (10.5X0.27)	2
36	PSRSGB578686M10X35H8-8	ADJUSTMENT BOLT (M10X35) (8.8)	2

# 10. Covers



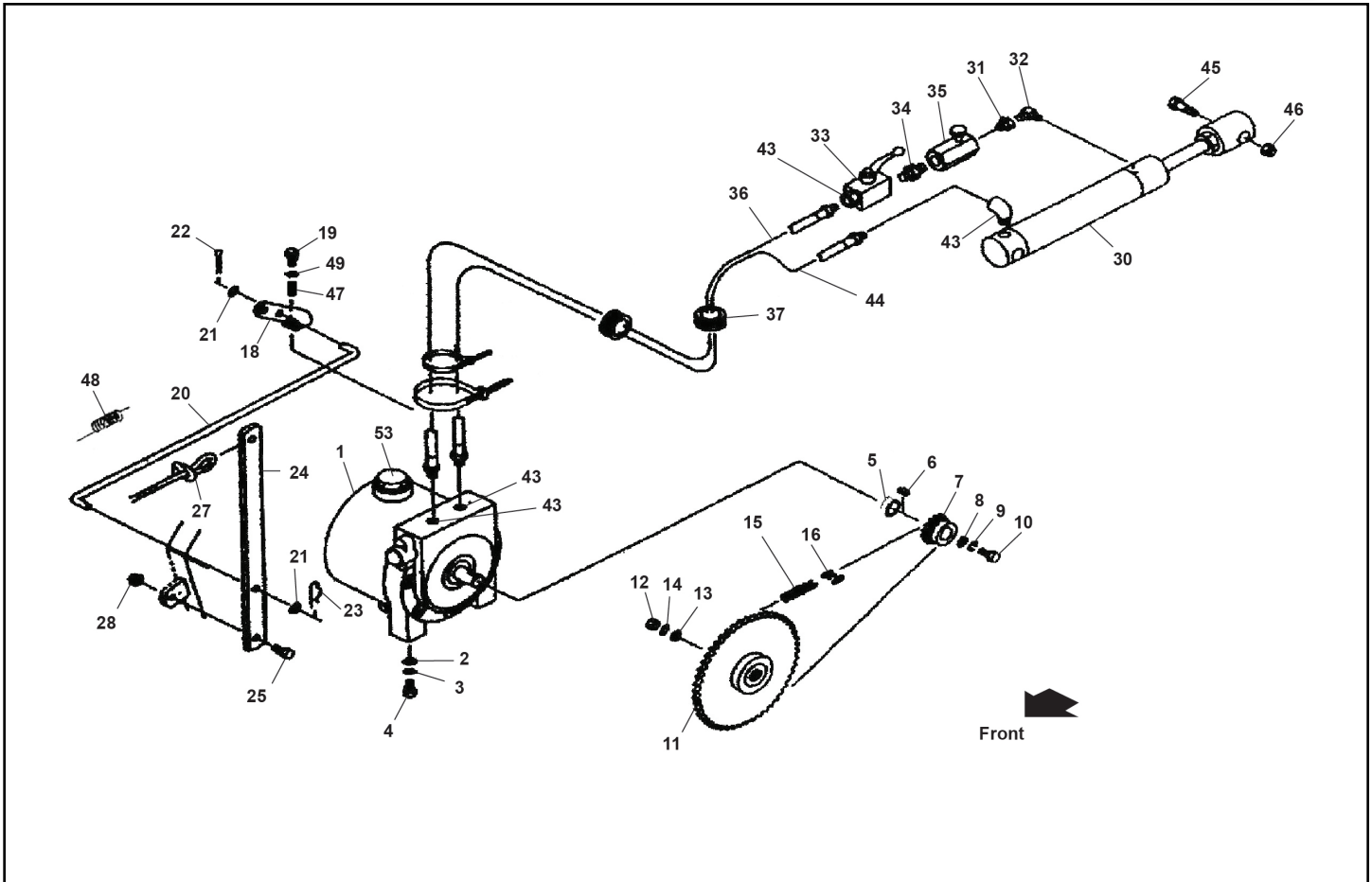
No.	Part No.	Name	Qty
1	PSRSYK50110100A	DOOR (DRIVERS SIDE, L) LATCH DESIGN	1
2	PSRSYK50110200A	DOOR (PASSENGER SIDE, R) LATCH DESIGN	1
3	PSRSDL20	DOOR LATCH (WHITE)	2
4	PSRSYK501140	DOOR LATCH U BRACKET (DRIVER SIDE)	1
53	PSRSYK501153	DOOR LATCH U BRACKET (PASSENGER SIDE)	1
5	PSRSYK501120M8X20H8-8	BOLT (M8X20) (8.8)	4
6	PSRSYK501121M8	NUT (M8)	4
10	PSRSYK50112500A	REAR TAILGATE COVER- 2020+ DESIGN	1
12	PSRSYK501125M8X20H8-8	BOLT (M8X20) (8.8)	14
13	PSRSYK501135	REFLECTOR	2
14	PSRSYK501126FWM8X16T1-5	FLAT WASHER (8mm ID X 16mm OD X 1.5mm THICKNESS)	2
15	PSRSYK501127CPM30T2	COTTER PIN (30mm LONG X 2mm THICKNESS)	2
17	PSRSYK501107	DECAL - IBEX LOGO	2
18	PSRSYK501108	DECAL - TX31	2
22	PSRSYK501128FWM8X22T2	FLAT WASHER (8mm ID X 22mm OD X 2mm THICKNESS)	14
23	PSRSYK501129LWM8	LOCK WASHER (M8)	6
27	PSRSYK501112	TOP COVER	1

# 10. Covers (cont.)



45	PSRSYK501145LWM8	LOCK WASHER (M8)	4
46	PSRSYK501146	TOP SIDE COVER (PASSENGER SIDE)	1
47	PSRSYK501147	TOP SIDE COVER (DRIVER SIDE)	1
48	PSRSYK501148	TOP HINGED COVER	1
49	PSRSYK501149	THUMB SCREW	2
50	PSRSYK501150M6X16H8-8	TOP SIDE COVER BOLT (M6X16) (8.8)	4
51	PSRSYK501151LWM6	TOP SIDE COVER LOCK WASHER (M6)	4
52	PSRSYK501152FWM6X15T1	TOP SIDE COVER FLAT WASHER (M6) (6MM ID X 15MM OD X 1MM THICKNESS)	4

# 11. Hydraulics



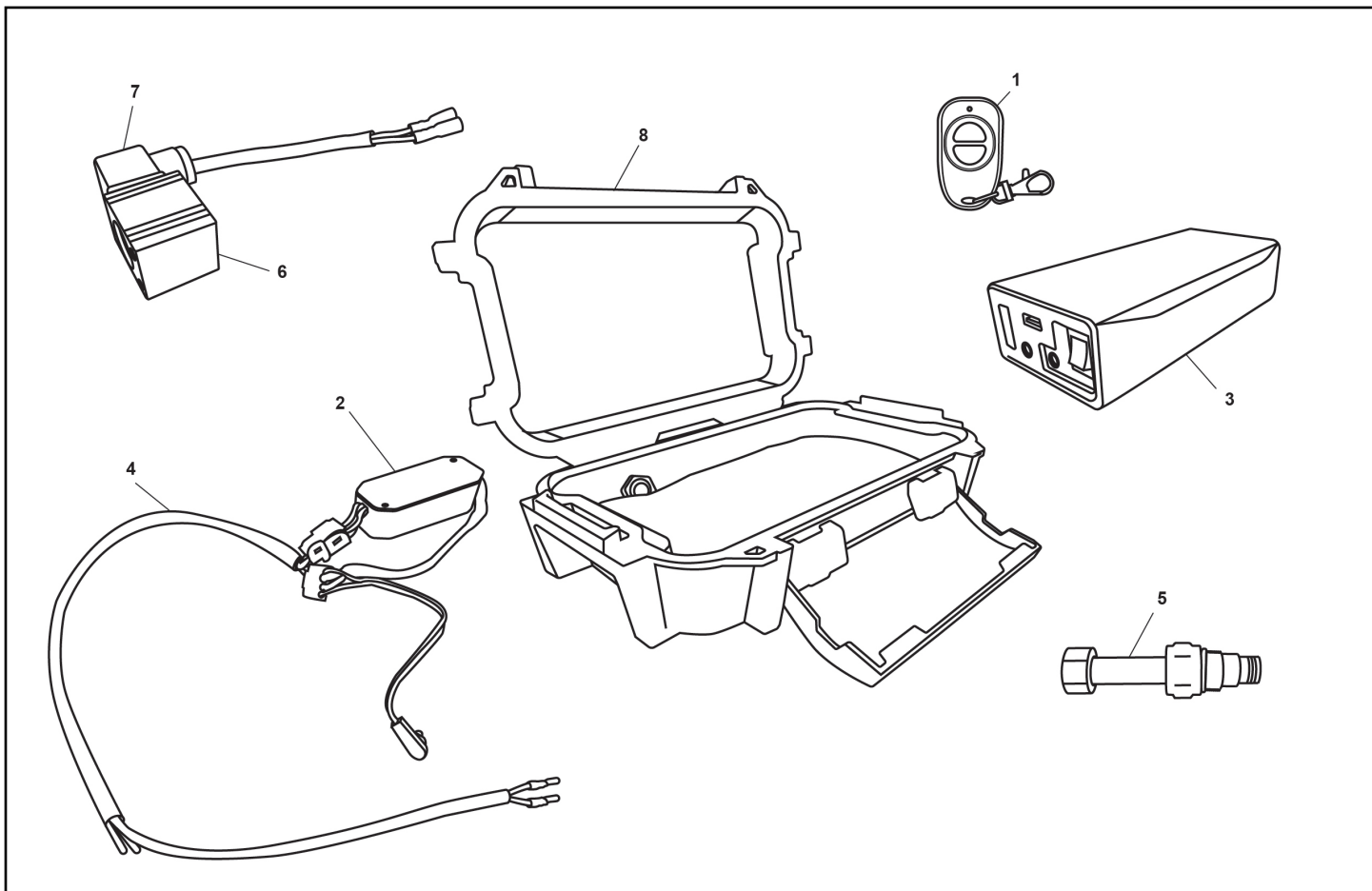
No.	Part No.	Name	Qty
1	PSRSYK70120400	HYDRAULIC PUMP & RESERVOIR ASSEMBLY	1
2	PSRSGB97185FWM10	FLAT WASHER (M10)	2
3	PSRSGB9387LWM10	LOCK WASHER (M10)	2
4	PSRSGB578686M10X25H8-8	BOLT (M10X25) (8.8)	2
5	PSRSYK701201	CHECK SLEEVE	1
6	PSRSGB109679WKM5X5X20	WOODRUFF KEY (5X5X20)	1
7	PSRSYK701202	HYDRAULIC PUMP SMALL SPROCKET	1
8	PSRSGB97185FWM6	FLAT WASHER (M6)	1
9	PSRSGB9387LWM6	LOCK WASHER (M6)	1
10	PSRSGB578686M6X16H8-8	BOLT (M6X16) (8.8)	1
11	PSRSYK701203	LARGE DRIVE SPROCKET	1
12	PSRSGB671086M12	NUT (M12)	1
13	PSRSGB97185FWM13X4-5	FLAT WASHER (M13X4.5)	1
14	PSRSGB9387LWM12	LOCK WASHER (M12)	1
15	PSRSGBT1243200656	HYDRAULIC PUMP DRIVE CHAIN	1
16	PSRSGBT12432006ML50SD	MASTER CHAIN LINK (08A)	1
18	PSRSYK701205	ON/OFF ENGAGEMENT ACTUATOR LEVER FOR 13.25" ROD	1
18	PSRSYK701205A	ON/OFF ENGAGEMENT ACTUATOR LEVER FOR 12.5" ROD	1

# 11. Hydraulics (cont.)



19	PSRSGB578686M8X15H8-8	BOLT (M8X15) (8.8)	1
20	PSRSYK701206	ON/OFF ENGAGEMENT CONNECTING ROD (13.25")	1
20	PSRSYK701206A	ON/OFF ENGAGEMENT CONNECTING ROD (12.5")	1
21	PSRSGB97185FWM8	FLAT WASHER (M8)	1
22	PSRSGB9187	COTTER PIN (3.2X16)	1
23	PSRSGB9187CPM1-8X35	COTTER PIN (1.8T X 35L)	1
24	PSRSYK701207	HYDRAULIC PUMP ON/OFF ENGAGEMENT LEVER	1
25	PSRSGB578686M8X25H8-8	BOLT (M8X25) (8.8)	1
26	PSRSGBT309892002LNM8	NYLON LOCK NUT (M8)	1
27	PSRSYK701208	NYLON ROPE	1
30	PSRSYK70120900	TAILGATE HYDRAULIC CYLINDER (CSH35X210X375)	1
31	PSRSYK701221	HYDRAULIC COUPLER	1
32	PSRSYK701222	90° HYDRAULIC FITTING	1
33	PSRSGBT122232005	SHUT OFF VALVE (RC1/4)	1
34	PSRSYK701223	MALE COUPLER (R1/4)	1
35	PSRSGBT81001987	SINGLE DIRECTION FLOW RESTRICTOR VALVE (RC1/4)	1
36	PSRSGBT127799	HYDRAULIC HOSE	1
37	PSRSYK701210	GROMMET	1
38	PSRSYK701224	PLASTIC COLLAR (2.5X251)	3
39	PSRSYK701225	PLASTIC COLLAR (4.8X251)	2
43	PSRSYK701226	90° CONICAL MALE INSIDE COUPLER (G1/4XR1/4)	4
44	PSRSYK701227	HYDRAULIC HOSE	1
45	PSRSGB578686M16X80H8-8	BOLT (M16X80) (8.8)	2
46	PSRSGBT309892002LNM6	NYLON LOCK NUT (M6)	2
47	PSRSYK701228	HYDRAULIC ACTUATION LEVER	1
48	PSRSYK701212	SPRING FOR HYDRAULIC PULL ROD	1
49	PSRSYK701229LWM8	LOCK WASHER (M8)	1
51	PSRSYK701214	MANUAL HYDRAULIC ACTUATOR VALVE	1
52	PSRSYK701230	MANUAL HYDRAULIC ACTUATOR VALVE RETAINING NUT	1
53	PSRSYK701231	HYDRAULIC PUMP RESERVOIR FILL CAP	1

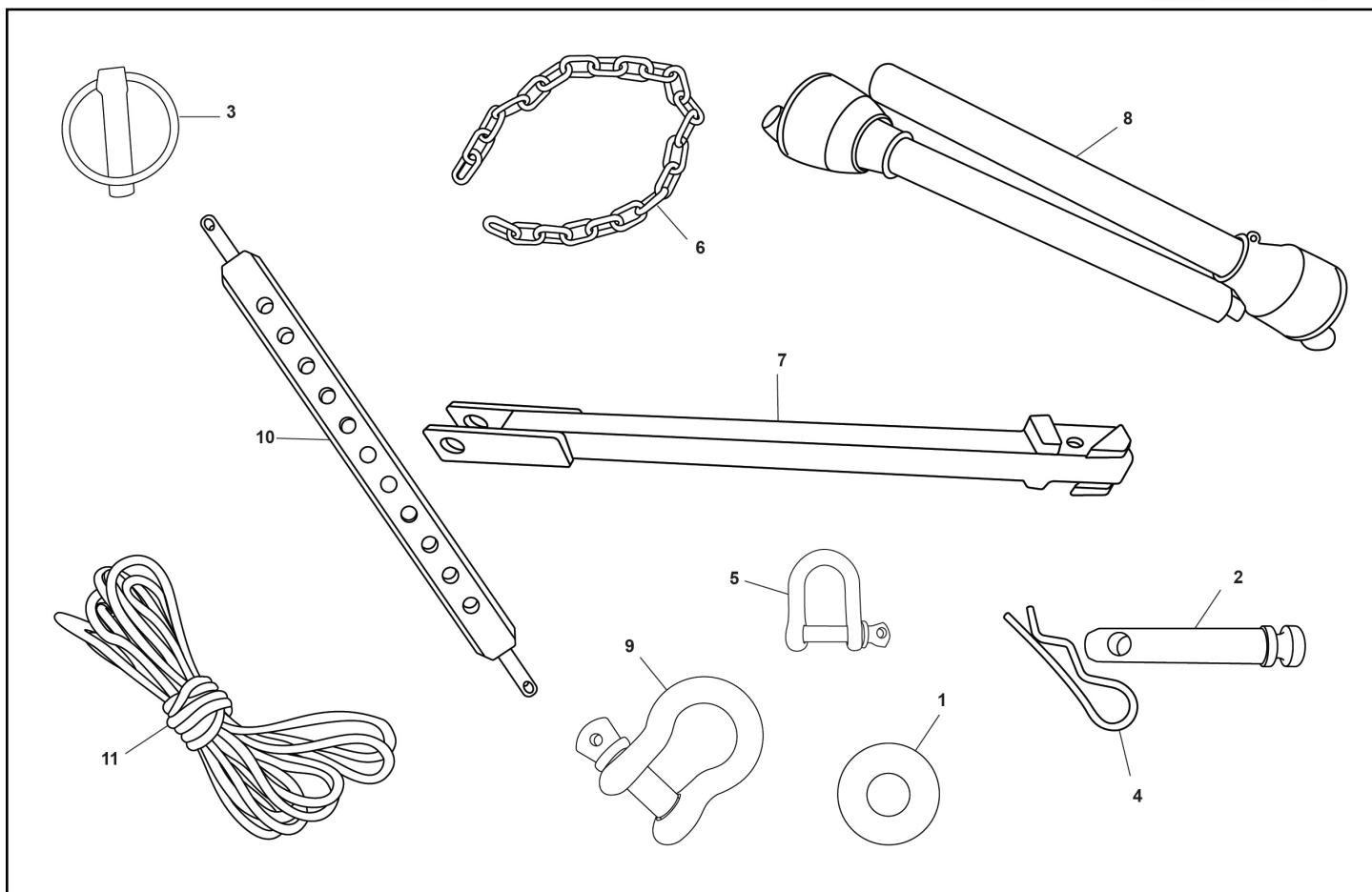
# 12. Push Button Tailgate



No.	Part No.	Name	Qty
1	PSIBYK701301	WIRELESS REMOTE CONTROL TRANSMITTER	1
2	PSIBYK701302	WIRELESS RECIEVER	1
3	PSIBYK701303	WIRELESS PUSH BUTTON KIT - BATTERY	1
4	PSIBYK701304	WIRE HARNESS	1
5	PSIBYK701305	VALVE BODY	1
6	PSIBYK701306	ELECTROMAGNETIC SOLENOID	1
7	PSIBYK701307	RELAY (LED INDICATOR-RESISTOR)	1
8	PSIBYK701308	PROTECTIVE CASE	1



# 13. Drawbar Kit



No.	Part No.	Name	Qty
1	PSIB03041677	LARGE WASHER	2
2	PSIB05512242	TOP LINK PIN	1
3	PSIB05583790	LINCHPIN	2
4	PSIB05924841	HAIRPIN COTTER	1
5	PSIB31230799	SMALL SHACKLE	2
6	PSIB31280220	LOWER LIMIT CHAIN	1
7	PSIB31629826	TX31 DRAWBAR	1
8	PSRSSHAFT110	44" PTO SHAFT	1
9	PSIB31229433	LARGE LOWER LIMIT CHAIN SHACKLE	1
10	PSIB31521095	3 POINT DRAWBAR	1
11	PSIB31316770	LONG PULL ROPE	1