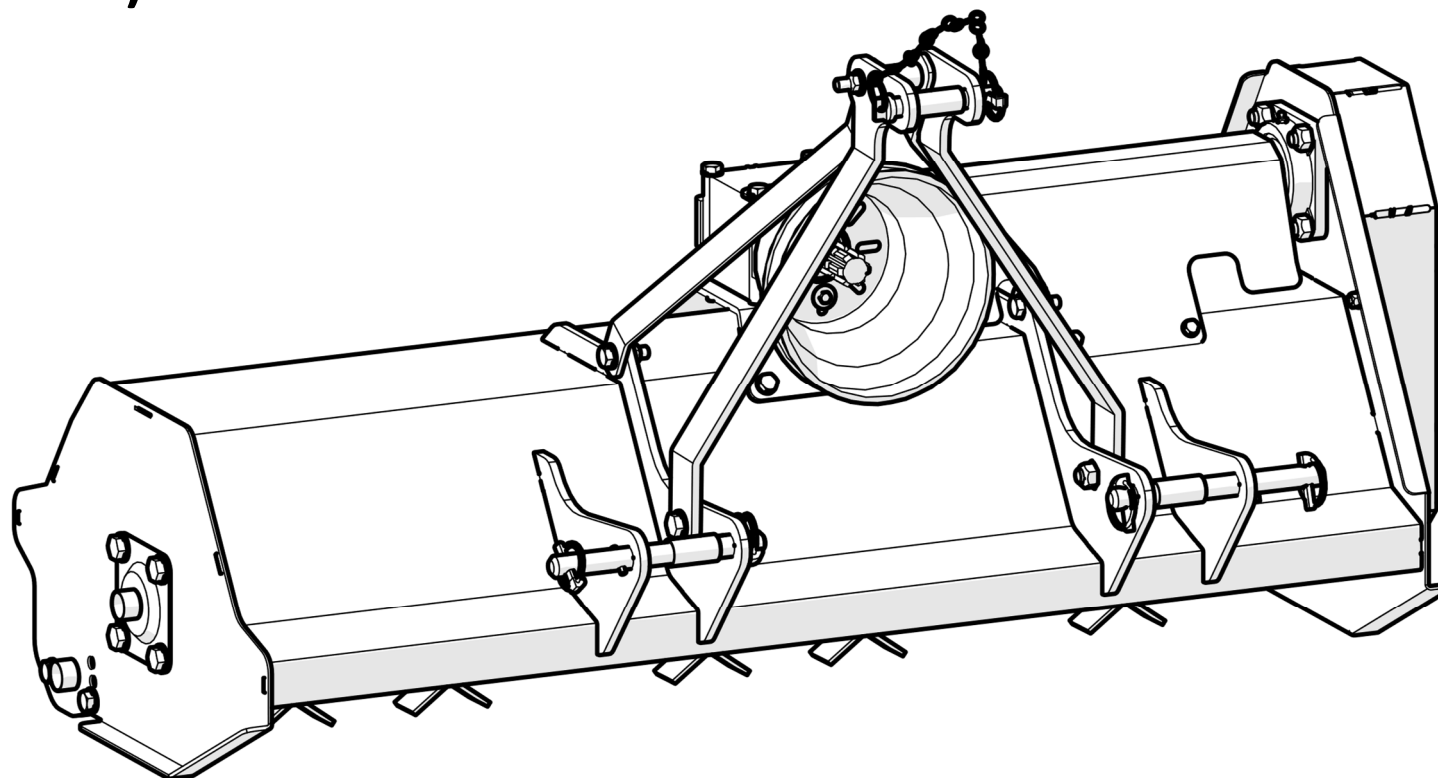




TX49E FLAIL MOWER (GINGER 125)



SPL-GINGER-EN-R2023.01- SPARTE PARTS MANUAL: GINGER

KEY

ZGNG001A	3020	54SA	COLT			A2	
----------	------	------	------	--	--	----	--

ZGNG001A	3020	54SA	COLT	-	-	A2	-
V0	V1	V2	V3	V4	V5	V6	V7

VARIANT LEVEL	LEVEL DESCRIPTION	VARIANT OPTION	OPTION DESCRIPTION
V0	Neutral code of the machine		
V1	Color	3020	Red RAL 3020
V2	Gearbox	540S	Gearbox 540 rpm lefthand aluminum
V3	Rotor	COLT	Rotor with Y-blades
V4	-	-	-
V5	-	-	-
V6	PTO-shaft	A2	Standard PTO-shaft II category
V7	-	-	-



Del Morino
FARM & GARDEN EQUIPMENT
Del Morino srl - Via Caronli di sotto 19
52030 Caprese Michelangelo - Arezzo - Italy
www.delmorino.it

MODEL FUNNY 106 C



0 201422 536782

OPTIONS TOP

SERIAL 204026



CO 18270C

CODE **ZFUT001B540SCOLTA4** ←

SPEED 540

YEAR 2022 WEIGHT kg 122





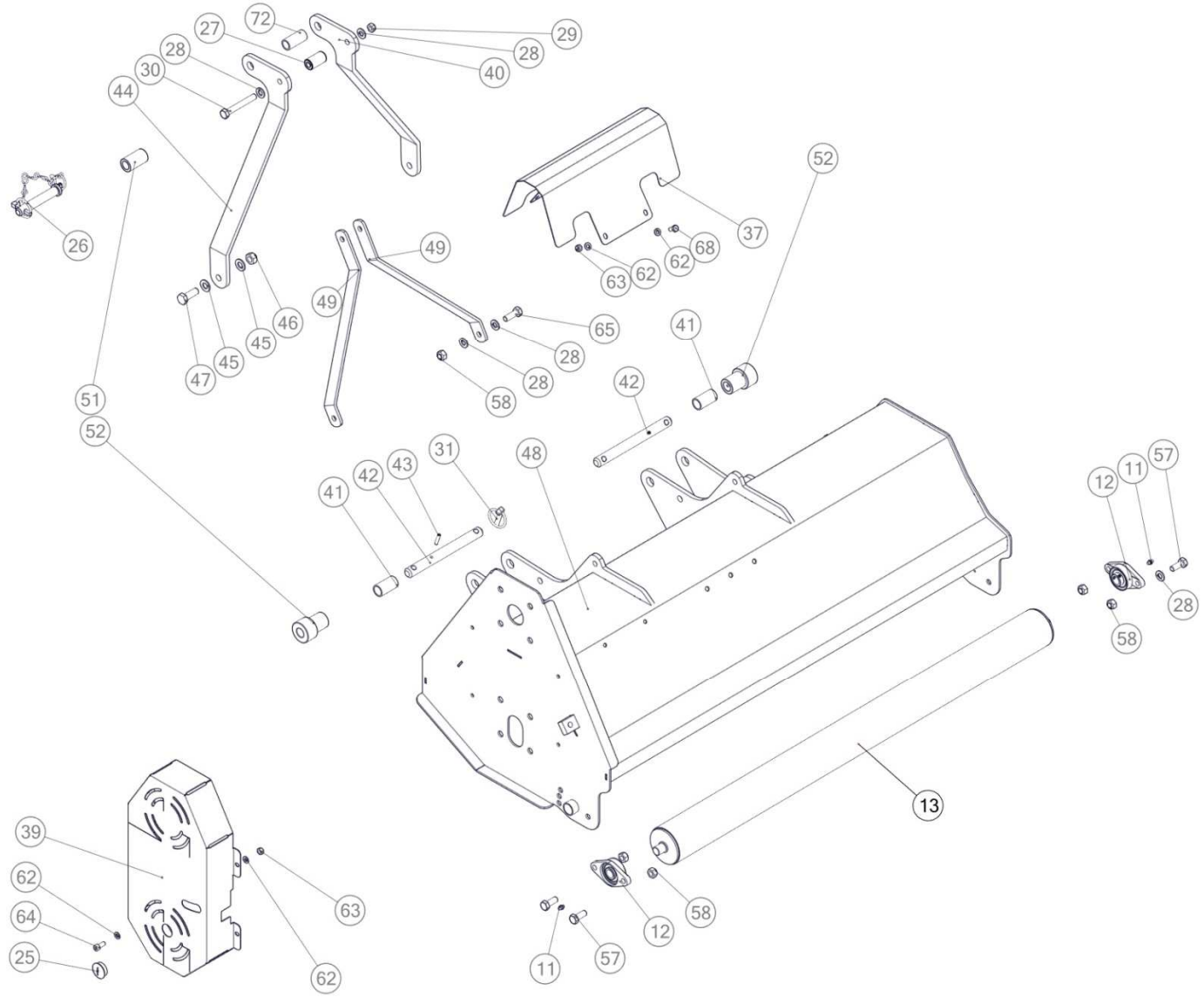
PRODLINE L1NNA01
CUSTOMER 814

CHART OF VARIANT OPTIONS ON EXPLODED-VIEW DRAWINGS

	V1	V2	V3	V4	V5	V6	V7
	COLOR	GEARBOX	ROTOR	-	-	PTO-SHAFT	-
80	-	M01	M01	-	-	M01	-
96	-	M01	M01	-	-	M01	-
106	-	M01	M01	-	-	M01	-
125	-	M01	M01	-	-	M01	-

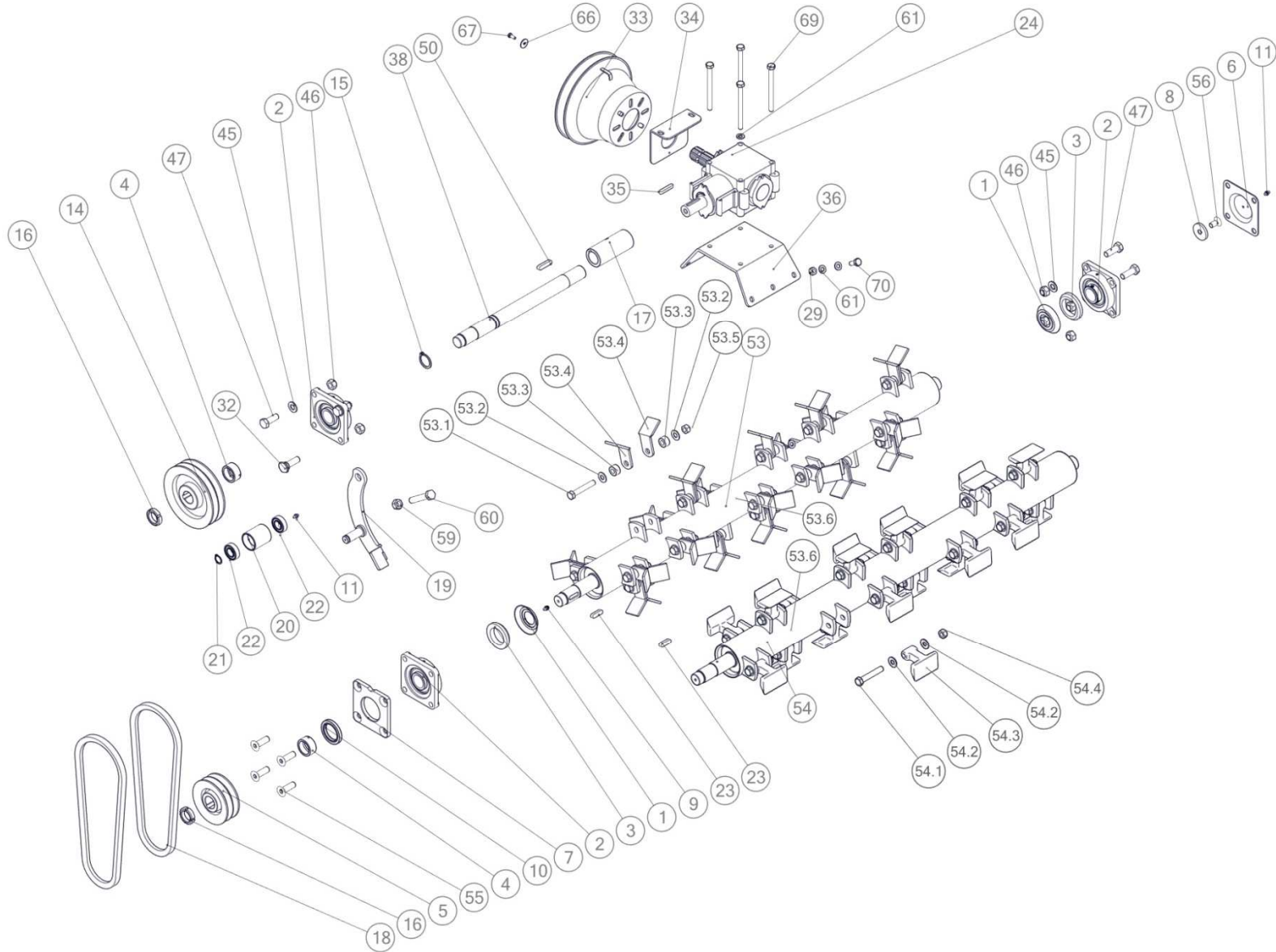
L01

METAL SHEETS



M01

MECHANISMS



	L01/M01	FLAIL MOWER GINGER	80	96	106	125
ID BOM	P/N	Description	Q.TY	Q.TY	Q.TY	Q.TY
1	41000026S	DUST COVER GE 45	2	2	2	2
2	URC090D	SUPPORT UCF 207	3	3	3	3
3	41100048	NYLON SEAL Ø 71,5	2	2	2	2
4	URC165D	SPACER FLIPPER FUNNY	2	2	2	2
5	URC281D	PULLEY 120/2B FUNNY	1	1	1	1
6	URC178ZD	LEFT SIDE PLUG	1	1	1	1
7	URC824SD	OIL SEAL PLATE	1	1	1	1
8	HOL179D	ROTOR LEFT LOCK	1	1	1	1
9	40600003	GREASER UNI 7663 A-M8 ZN	1	1	1	1
10	41100007	OIL SEAL 45x65x8	1	1	1	1
11	40600001	GREASER M6	5	5	5	5
12	42400005	PULLEY 120/2B FUNNY	2	2	2	2
13	URC058AVD	LEVELING ROLLER FUNNY 80	1			
13	URC058FVD	LEVELING ROLLER FUNNY 93		1		
13	URC058BVD	LEVELING ROLLER FUNNY 106			1	
13	URC058GVD	LEVELING ROLLER FUNNY 119				1
14	URC166D	PULLEY 170/2B FLIPPER FUNNY	1	1	1	1
15	40400013	SEEGER E 35X2.5 UNI 7436	1	1	1	1
16	40700001	METAL RING GUK M30X1,5	2	2	2	2
17	URC280D	SHAFT HOSE FUNNY	1	1	1	1

	L01/M01	FLAIL MOWER GINGER	80	96	106	125
ID BOM	P/N	Description	Q.TY	Q.TY	Q.TY	Q.TY
18	42800016	TRAPEZOIDAL BELT B38-1/2	2	2	2	2
19	URC080VD	BELT TENSIONER FLIPP FUNY 80-106-132	1	1	1	1
20	URC286D	BELT TENSIONER FLIP-FUNNY 80-106-132	1	1	1	1
21	40400009	SEEGER E20 UNI 7435	1	1	1	1
22	41000007	BEARING 6004 2RS	2	2	2	2
23	40500004	KEY UNI 6604 A 10X8X35	2	2	2	2
24	42000032	GEARBOX T281J 9.281.874	1	1	1	1
25	42500049	BLACK PVC PLUG	1	1	1	1
26	43700012	SPRING PIN WITH CHAIN	1	1	1	1
27	URC304ZD	TIE-ROD BUSH FUNNY	1	1	1	1
28	40300004	WASHER D12 UNI 6592 ZN	10	10	10	10
29	40200003	NUT M10 DIN 980 CONELOCK ZN	11	11	11	11
30	40100022	SCREW UNI 5737 M12X90 ZN	1	1	1	1
31	41300001	SPRING PIN D10	4	4	4	4
32	URC297D	TENSIONER SCREW FUNNY	1	1	1	1
33	41900013	PLASTIC PROTECTION	1	1	1	1
34	URC185VD	PLASTIC PROTECTION SUPPORT FUNNY	1	1	1	1
35	40500008	KEY UNI 6604 A 8x7x45	1	1	1	1
36	GNG156VD	GINGER-GEARBOX SUPPORT	1	1	1	1
37	GNG155BVD	GINGER- GEARBOX SHAFT CARTER	1			
37	GNG155CVD	GINGER-GEARBOX SHAFT CARTER		1		

	L01/M01	FLAIL MOWER GINGER	80	96	106	125
ID BOM	P/N	Description	Q.TY	Q.TY	Q.TY	Q.TY
37	GNG155DVD	GINGER-GEARBOX SHAFT CARTER			1	
37	GNG155DVD	GINGER-GEARBOX SHAFT CARTER				1
38	GNG300VD	GINGER 80-GEARBOX SHAFT	1			
38	URC164EVD	TRANSMISSION SHAFT FUNNY 93		1		
38	URC164BVD	TRANSMISSION SHAFT FLIPPER 106-132			1	
38	URC164BVD	TRANSMISSION SHAFT FLIPPER 106-132				1
39	GNG157VD	GINGER-BELT CARTER	1	1	1	1
40	TNG157VD	TANGO – RIGHT 3-POINT HITCH	1	1	1	1
41	HOL210ZD	HITCH SPACER URT-HOLIDAY	2	2	2	2
42	HOL176ZD	HITCH PIN	2	2	2	2
43	42300001	SPRING PIN 6X30 UNI6873 ZN	2	2	2	2
44	TNG158VD	TANGO – LEFT 3-POINT HITCH	1	1	1	1
45	40300009	WASHER D14 UNI 6592 ZN	11	11	11	11
46	40200011	NUT M14 DIN 980 CONELOCK ZN	14	14	14	14
47	40100018	SCREW UNI 5739 M14X40 ZN	9	9	9	9
48	GNG051AVD	GINGER-FRAME 80	1			
48	GNG051BVD	GINGER-FRAME 96		1		
48	GNG051CVD	GINGER-FRAME 106			1	
48	GNG051DVD	GINGER-FRAME 125				1
49	GNG158VD	GINGER-TIE ROD	2	2	2	2
50	40500006	KEY UNI 6604 A 10X8X45	1	1	1	1

	L01/M01	FLAIL MOWER GINGER	80	96	106	125
ID BOM	P/N	Description	Q.TY	Q.TY	Q.TY	Q.TY
51	TNG301ZD	BUSH 3-POINT HITCH QUICK HITCH	1	1	1	1
52	TNG302ZD	BUSH LOWER HITCH QUICK HITCH	2	2	2	2
53	URC061AVDC	ROTOR FUNNY 80Y-BLADES	1			
53	URC061EVDC	ROTOR FUNNY 96 Y-BLADES		1		
53	URC061BVDC	ROTOR FUNNY 106 Y-BLADES			1	
53	URC061FVDC	ROTOR FUNNY 119 Y-BLADES				1
53.1	40100148	SCREW UNI 5738-M12X75 PF GR	12	16	16	20
53.2	40300065	WASHER CONTACT D12X27X1.8	24	32	32	40
53.3	URC411D	SPACER Y-BLADE	24	32	32	40
53.4	URC405D	Y-BLADE FUNNY	24	32	32	40
53.5	40200137	NUT MB12 980 CONELOX	12	16	16	20
53.6	URC060AVD	ROTOR FUNNY 80	1			
53.6	URC060EVD	ROTOR FUNNY 93		1		
53.6	URC060BVD	ROTOR FUNNY 106			1	
53.6	URC060FVD	ROTOR FUNNY 119				1
54	URC061AVDM	ROTOR FUNNY 80 HAMMERS	1			
54	URC061EVDM	ROTOR FUNNY 96 HAMMERS		1		
54	URC061BVDM	ROTOR FUNNY 106 HAMMERS			1	
54	URC061FVDM	ROTOR FUNNY 119 HAMMERS				1
54.1	40100148	SCREW UNI 5738-M12X75 PF GR	12	16	16	20
54.2	40300065	WASHER CONTACT D12X27X1.8	24	32	32	40

	L01/M01	FLAIL MOWER GINGER	80	96	106	125
ID BOM	P/N	Description	Q.TY	Q.TY	Q.TY	Q.TY
54.3	URC419D	SPATULE FUNNY	12	16	16	20
54.4	40200137	NUT MB12 980 CONELOX	12	16	16	20
55	40100160	SCREW UNI 5933 M14X45 ZN	4	4	4	4
56	40100020	SCREW UNI 5933 M12X25 ZN	1	1	1	1
57	40100014	SCREW UNI 5739 M12X30 ZN	4	4	4	4
58	40200006	NUT M12 DIN 980 CONELOCK ZN	6	6	6	6
59	40200136	NUT M14 UNI 5588 ZN	1	1	1	1
60	40100180	SCREW UNI 5739 M14X80 ZN	1	1	1	1
61	40300003	WASHER D10 UNI 6592 ZN	20	20	20	20
62	40300002	WASHER D8 UNI 6592 ZN	16	16	16	16
63	40200002	NUT M8 DIN 980 CONELOCK ZN	8	8	8	8
64	40100001	SCREW UNI 5931 M8X20 ZN DIN 912	4	4	4	4
65	40100015	SCREW UNI 5739 M12X35 ZN	2	2	2	2
66	40300014	WASHER D6X24X1.6 ZN	2	2	2	2
67	40100087	SCREW UNI 5739 M6X16 ZN	2	2	2	2
68	40100042	SCREW UNI 5739 M8X16 ZN	4	4	4	4
69	40100108	SCREW UNI 5739 M10X130 ZN	4	4	4	4
70	40100043	SCREW UNI 5739 M10X25 ZN	6	6	6	6
72	URC421ZD	BUSH 3-POINT HITCH II° CATEGORY	1	1	1	1