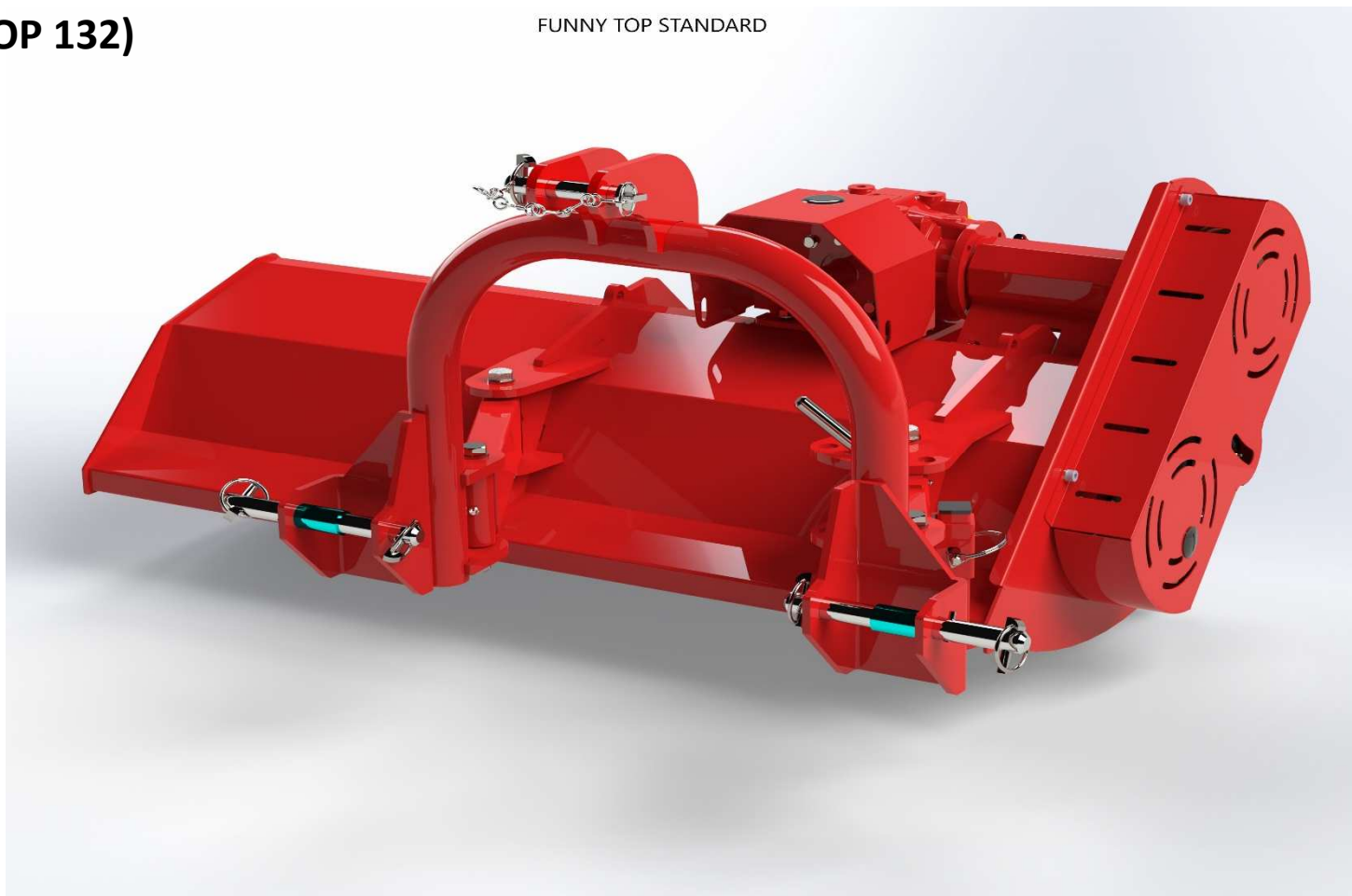




**TS52E SIDE SHIFT FLAIL MOWER
(FUNNY TOP 132)**

FUNNY TOP STANDARD



SPL-FUNNY TOP-EN-R2023.01- SPARE PARTS MANUAL: FUNNY

KEY

| | | | | | | | |
|----------|------|------|------|-----|--|----|---|
| ZURE001A | 3020 | 54SA | COLT | SRU | | A2 | - |
|----------|------|------|------|-----|--|----|---|

| | | | | | | | |
|----------|------|------|------|-----|----|----|----|
| ZFUN102C | 3020 | 54SA | COLT | CRU | | A2 | |
| V0 | V1 | V2 | V3 | V4 | V5 | V6 | V7 |

| VARIANT LEVEL | LEVEL DESCRIPTION | VARIANT OPTION | OPTION DESCRIPTION |
|---------------|-----------------------------|----------------|-----------------------------------|
| V0 | Neutral code of the machine | | |
| V1 | Color | 3020 | Red RAL 3020 |
| V2 | Gearbox | 54SA | Gearbox 540 rpm lefthand aluminum |
| V3 | Rotor | COLT | Rotor with y-blades |
| V4 | Roller extension | CRU | Roller extension kit |
| V5 | | | (no option available) |
| V6 | PTO-shaft | A2 | Standard PTO-shaft II category |
| V7 | | | (no option available) |



Del Morino
FARM & GARDEN EQUIPMENT
Del Morino srl - Via Caronni di sotto 19
52030 Caprese Michelangelo - Arezzo - Italy
www.delmorino.it

MODEL FUNNY 106 C

0 201422 536782

OPTIONS TOP

SERIAL 204026

CODE **ZFUT001B540SCOLTA4** ←

SPEED 540

YEAR 2022 WEIGHT kg 122



CO 18270C



PROLINE LINMA01
CUSTOMER 814

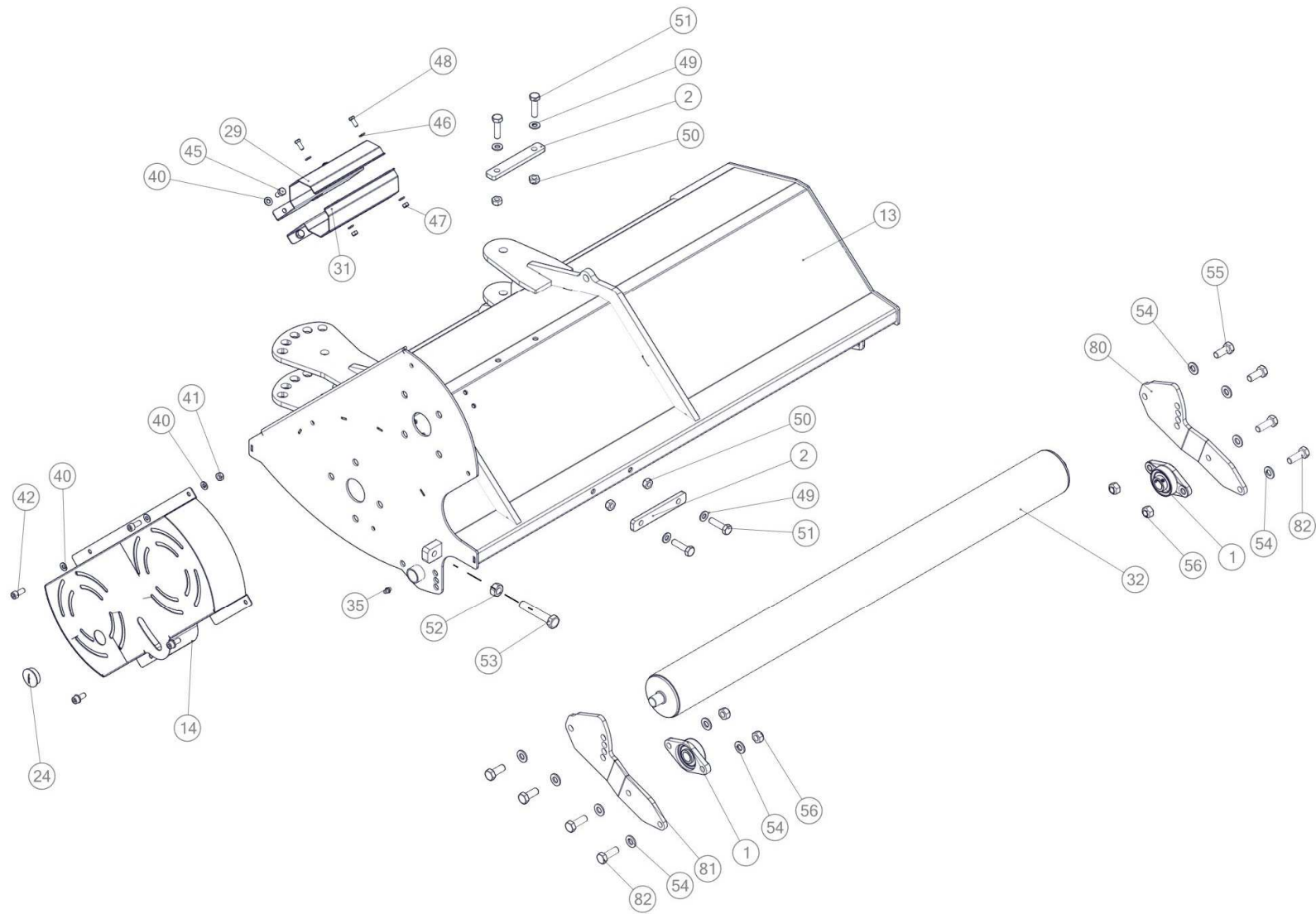


CHART OF VARIANT OPTIONS ON EXPLODED-VIEW DRAWINGS

| | V1 | V2 | V3 | V4 | V5 | V6 | V7 |
|------------|--------------|----------------|--------------|-----------------------------|----|------------------|----|
| | COLOR | GEARBOX | ROTOR | ROLLER EXTENSION | - | PTO-SHAFT | - |
| 96 | - | <i>M01</i> | <i>M01</i> | <i>L01</i> | - | <i>M01</i> | - |
| 114 | - | <i>M01</i> | <i>M01</i> | <i>L01</i> | - | <i>M01</i> | - |
| 132 | - | <i>M01</i> | <i>M01</i> | <i>L01</i> | - | <i>M01</i> | - |
| 150 | - | <i>M01</i> | <i>M01</i> | <i>L01</i> | - | <i>M01</i> | - |
| 168 | - | <i>M01</i> | <i>M01</i> | <i>L01</i> | - | <i>M01</i> | - |

L01

METAL SHEETS

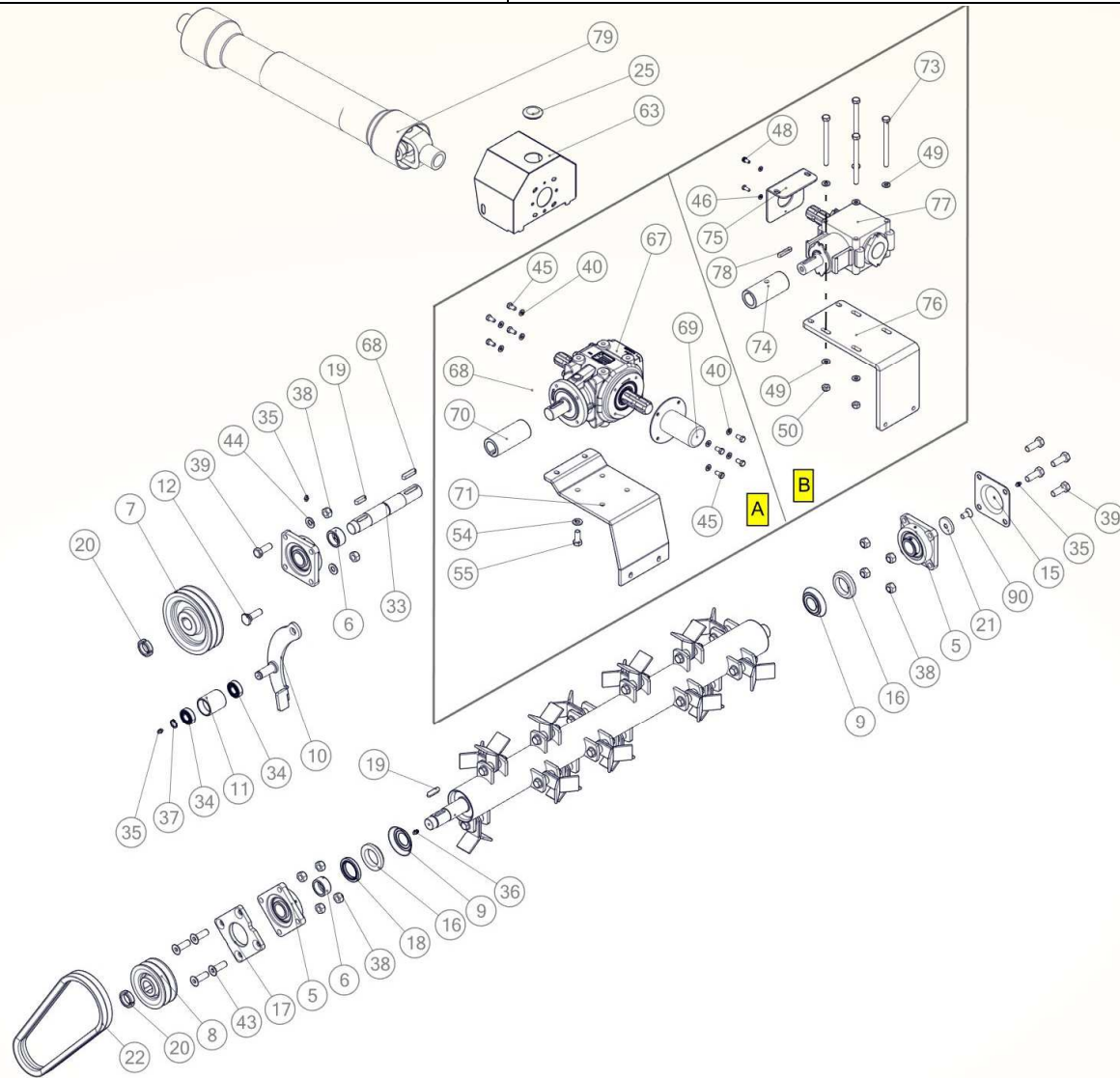


| | L01 | FUNNY TOP | 80 | 106 | 132 | 158 | 93 | 119 |
|---------------|------------|------------------------------|-------------|-------------|-------------|-------------|-------------|-------------|
| ID BOM | P/N | Description | Q.TY | Q.TY | Q.TY | Q.TY | Q.TY | Q.TY |
| 1 | 42400005 | SUPPORT UCFL 204 FK | 2 | 2 | 2 | 2 | 2 | 2 |
| 2 | URC301VD | GEARBOX SUPPORT PLATE FUNNY | 2 | 2 | 2 | 2 | 2 | 2 |
| 13 | URC089IVD | FRAME NW FUNNY TOP 106 | 1 | | | | | |
| 13 | URC089EVD | FRAME NW FUNNY TOP 106 | | 1 | | | | |
| 13 | URC089FVD | FRAME NW FUNNY TOP 106 | | | 1 | | | |
| 13 | URC089GVD | FRAME NW FUNNY TOP 106 | | | | 1 | | |
| 13 | URC089LVD | FRAME NW FUNNY TOP 106 | | | | | 1 | |
| 13 | URC089NVD | FRAME NW FUNNY TOP 106 | | | | | | 1 |
| 14 | URC083VD | BELT CO FUNNY | 1 | 1 | 1 | 1 | 1 | 1 |
| 24 | 42500049 | BLACK PVC PLUG | 1 | 1 | 1 | 1 | 1 | 1 |
| 29 | URC293EVD | FRONT CARTER FUNNY 106 TOP | 1 | 1 | | | 1 | |
| 29 | URC293FVD | FRONT CARTER FUNNY 132 TOP | | | 1 | | | |
| 29 | URC293GVD | FRONT CARTER FUNNY 158 TOP | | | | 1 | | |
| 29 | URC293LVD | FRONT CARTER FUNNY 119TOP | | | | | | 1 |
| 31 | URC313EVD | REAR CARTER FUNNY 106 TOP | 1 | 1 | | | 1 | |
| 31 | URC313FVD | REAR CARTER FUNNY 132 TOP | | | 1 | | | |
| 31 | URC313GVD | REAR CARTER FUNNY 158 TOP | | | | 1 | | |
| 31 | URC313LVD | REAR CARTER FUNNY 119 TOP | | | | | | 1 |
| 32 | URC058AVD | ROLLER FUNNY 80 | 1 | | | | | |
| 32 | URC058BVD | ROLLER FUNNY 106 | | 1 | | | | |
| 32 | URC058CVD | ROLLER FUNNY 132 | | | 1 | | | |
| 32 | URC058DVD | ROLLER FUNNY 158 | | | | 1 | | |
| 32 | URC058FVD | ROLLER FUNNY 93 | | | | | 1 | |
| 32 | URC058GVD | ROLLER FUNNY 119 | | | | | | 1 |
| 35 | 40600001 | GREASER M6 | 10 | 10 | 10 | 10 | 10 | 10 |
| 40 | 40300002 | WASHER D8 UNI 6592 | 28 | 28 | 28 | 28 | 28 | 28 |
| 41 | 40200002 | NUT M8 DIN 980 CONELOCK | 8 | 8 | 8 | 8 | 8 | 8 |
| 42 | 40100001 | SCREW UNI 5931 M8X20 DIN 912 | 4 | 4 | 4 | 4 | 4 | 4 |

| | L01 | FUNNY TOP | 80 | 106 | 132 | 158 | 93 | 119 |
|---------------|------------|---|-------------|-------------|-------------|-------------|-------------|-------------|
| ID BOM | P/N | Description | Q.TY | Q.TY | Q.TY | Q.TY | Q.TY | Q.TY |
| 45 | 40100042 | SCREW UNI 5739 M8X16 | 12 | 12 | 12 | 12 | 12 | 12 |
| 46 | 40300035 | WASHER D6 UNI 6592 | 8 | 8 | 8 | 8 | 8 | 8 |
| 47 | 40200138 | NUT M6 DIN 980 CONELOCK | 2 | 2 | 2 | 2 | 2 | 2 |
| 48 | 40100087 | SCREW UNI 5739 M6X16 | 6 | 6 | 6 | 6 | 6 | 6 |
| 49 | 40300003 | WASHER D10 UNI 6592 | 12 | 12 | 12 | 12 | 12 | 12 |
| 50 | 40200003 | NUT M10 DIN 980 CONELOCK | 8 | 8 | 8 | 8 | 8 | 8 |
| 51 | 40100189 | SCREW UNI 5739 M10X40 | 4 | 4 | 4 | 4 | 4 | 4 |
| 52 | 40200136 | NUT M14 UNI 5588 | 1 | 1 | 1 | 1 | 1 | 1 |
| 53 | 40100180 | SCREW UNI 5739 M14X80 | 1 | 1 | 1 | 1 | 1 | 1 |
| 54 | 40300004 | WASHER D12 UNI 6592 | 17 | 17 | 17 | 17 | 17 | 17 |
| 55 | 40100014 | SCREW UNI 5739 M12X30 | 8 | 8 | 8 | 8 | 8 | 8 |
| 56 | 40200006 | NUT M12 DIN 980 CONELOCK | 8 | 8 | 8 | 8 | 8 | 8 |
| 62 | 41400001 | SPLIT PIN D3 | 1 | 1 | 1 | 1 | 1 | 1 |
| 64 | 40400013 | SEEGER E 35X2.5 UNI 7436 | 1 | 1 | 1 | 1 | 1 | 1 |
| 80 | URC812VD | ROLLER RIGHT EXTENSION FUNNY-FUNNY TOP/SUPER | 1 | 1 | 1 | 1 | 1 | 1 |
| 81 | URC811VD | ROLLER LEFT EXTENSION FUNNY-FUNNY TOP/SUPER | 1 | 1 | 1 | 1 | 1 | 1 |
| 82 | 40100015 | SCREW UNI 5739 M12X35 | 4 | 4 | 4 | 4 | 4 | 4 |

M01

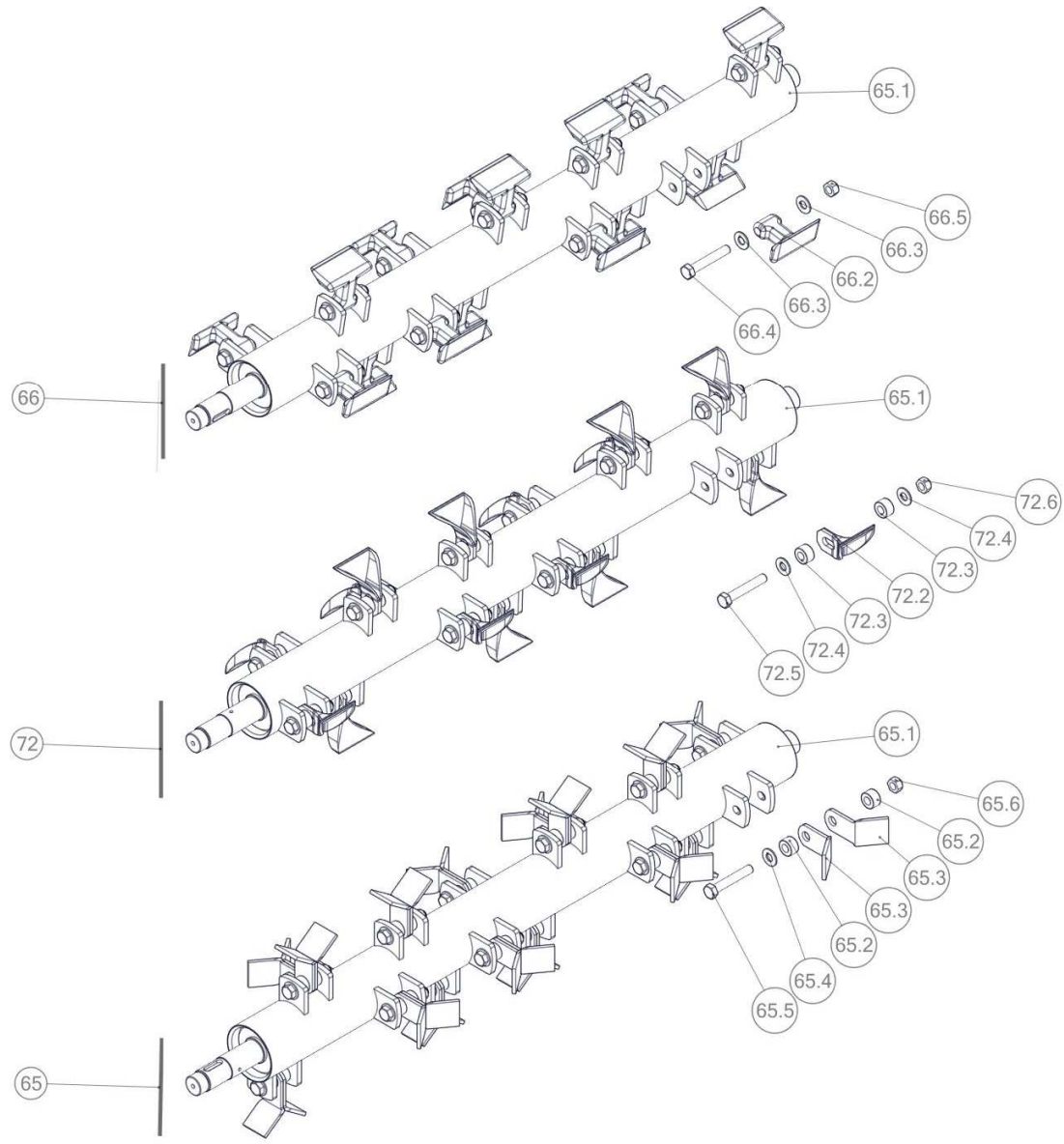
MECHANISMS



| | M01 | FUNNY TOP | 80 | 106 | 132 | 158 | 93 | 119 |
|---------------|--------------------|---|-------------|-------------|-------------|-------------|-------------|-------------|
| ID BOM | P/N | Description | Q.TY | Q.TY | Q.TY | Q.TY | Q.TY | Q.TY |
| | VERSION "A" | VERSION CAST IRON GEARBOX | | | | | | |
| | VERSION "B" | VERSION ALUMINUM GEARBOX | | | | | | |
| 5 | URC090D | SUPPORT UCF 207 | 3 | | | | | |
| 6 | URC165D | SPACER FLIPPER FUNNY | 2 | | | | | |
| 7 | URC166D | PULLEY 170/2B FLIPPER FUNNY | 1 | | | | | |
| 8 | URC281D | PULLEY 120/2B FUNNY | 1 | | | | | |
| 9 | 41000026S | DUST CO GE 45 | 2 | | | | | |
| 10 | URC080VD | BELT TENSIONER FLIP-FUNNY 80-106-132 | 1 | | | | | |
| 11 | URC286D | BELT TENSIONER ROLLER FLIP-FUNNY 80-106-132 | 1 | | | | | |
| 12 | URC297D | SCREW FOR BELT TENSIONER FUNNY | 1 | | | | | |
| 15 | URC178ZD | LEFT SIDE CO | 1 | | | | | |
| 16 | 41100048 | NYLON SEAL D.71.5 | 2 | | | | | |
| 17 | URC824SD | OIL SEAL PLATE | 1 | | | | | |
| 18 | 41100007 | OIL SEAL 45x65x8 | 1 | | | | | |
| 19 | 40500004 | KEY UNI 6604 A 10X8X35 | 2 | | | | | |
| 20 | 40700001 | METAL RING GUK M30X1,5 | 2 | | | | | |
| 21 | HOL179D | ROTOR LEFT LOCK | 1 | | | | | |
| 22 | 42800016 | CINGHIA TRAPEZOIDALE B38-1/2 | 2 | | | | | |
| 25 | 42500022 | PLUG TNC 45 | 1 | | | | | |
| 33 | URC164FVD | TRANSMISSION SHAFTFUNNY 106 TOP | 1 | 1 | | | 1 | |
| 33 | URC164GVD | TRANSMISSION SHAFTFUNNY 132TOP | | | 1 | | | |
| 33 | URC164HVD | TRANSMISSION SHAFTFUNNY 158 TOP | | | | 1 | | |
| 33 | URC164MVD | TRANSMISSION SHAFTFUNNY 119 TOP | | | | | | 1 |
| 34 | 41000007 | BEARING 6004 2RS | 2 | | | | | |
| 35 | 40600001 | GREASER M6 | 10 | | | | | |
| 36 | 40600003 | GREASER UNI 7663 A-M8 | 1 | | | | | |
| 37 | 40400009 | SEEGER E20 UNI 7435 | 1 | | | | | |
| 38 | 40200011 | NUT M14 DIN 980 CONELOCK | 12 | | | | | |

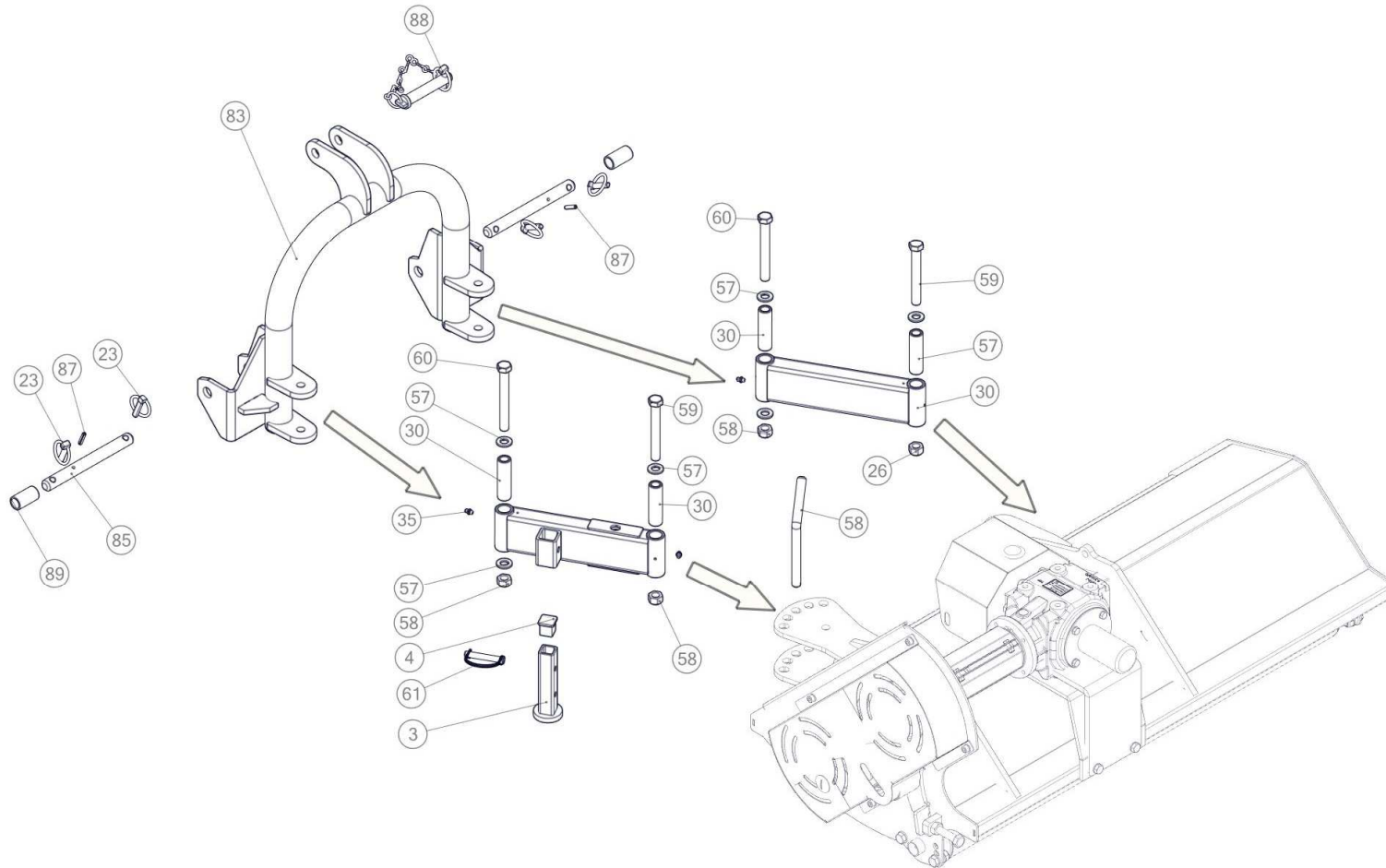
| | M01 | FUNNY TOP | 80 | 106 | 132 | 158 | 93 | 119 |
|---------------|------------|-----------------------------------|-------------|-------------|-------------|-------------|-------------|-------------|
| ID BOM | P/N | Description | Q.TY | Q.TY | Q.TY | Q.TY | Q.TY | Q.TY |
| 39 | 40100018 | SCREW UNI 5739 M14X40 | 8 | | | | | |
| 40 | 40300002 | WASHER D8 UNI 6592 | 28 | | | | | |
| 43 | 40100160 | SCREW UNI 5933 M14X45 | 4 | | | | | |
| 44 | 40300009 | WASHER D14 UNI 6592 | 4 | | | | | |
| 45 | 40100042 | SCREW UNI 5739 M8X16 | 12 | | | | | |
| 46 | 40300035 | WASHER D6 UNI 6592 | 8 | | | | | |
| 48 | 40100087 | SCREW UNI 5739 M6X16 | 6 | | | | | |
| 49 | 40300003 | WASHER D10 UNI 6592 | 12 | | | | | |
| 50 | 40200003 | NUT M10 DIN 980 CONELOCK | 8 | | | | | |
| 54 | 40300004 | WASHER D12 UNI 6592 | 17 | | | | | |
| 55 | 40100014 | SCREW UNI 5739 M12X30 | 8 | | | | | |
| 63 | URC296VD | PROTECTION FUNNY | 1 | | | | | |
| 65 | URC061BVDC | ROTOR Y-BLADES FUNNY 106 | 1 | | | | | |
| 65.1 | URC060BVD | ROTOR 106 | 1 | | | | | |
| 65.2 | URC411D | Y-BLADE SPACER FLIPPER 80-106-132 | 32 | | | | | |
| 65.3 | URC405D | Y-BLADE DELM 0005 FUNNY | 32 | | | | | |
| 65.4 | 40300065 | WASHER CONTACT 12X27X1.8 UNI 7604 | 32 | | | | | |
| 65.5 | 40100148 | SCREW UNI 5738 M12X75 PF GR | 16 | | | | | |
| 65.6 | 40200137 | NUT MB12 DIN 980 CONELOCK | 16 | | | | | |
| 67 | 42000031 | GEARBOX 9.310.870.10 540PT | 1 | | | | | |
| 68 | 40500006 | KEY UNI 6604 A 10X8X45 | 1 | | | | | |
| 69 | 41900007 | YELLOW PDF PROTECTION-MEC 17/501 | 1 | | | | | |
| 70 | STZURC163D | SHAFT HOSE FLIPPER | 1 | | | | | |
| 71 | URC393VD | FUNNY CAST IRON-SUPPORT GEARBOX | 1 | | | | | |
| 73 | 40100024 | SCREW UNI 5739 M10X140 | 4 | | | | | |
| 74 | STZURC280D | EMBOSSSED SHAFT HOSE FUNNY | 1 | | | | | |
| 75 | URC185VD | PROTECTION SUPPORT FUNNY | 1 | | | | | |
| 76 | URC123VD | GEARBOX BRACKET FUNNY/TOP | 1 | | | | | |

| | M01 | FUNNY TOP | 80 | 106 | 132 | 158 | 93 | 119 |
|---------------|------------|---------------------------------------|-------------|-------------|-------------|-------------|-------------|-------------|
| ID BOM | P/N | Description | Q.TY | Q.TY | Q.TY | Q.TY | Q.TY | Q.TY |
| 77 | 42000032 | GEARBOX T281J 9.281.874 SX | 1 | | | | | |
| 78 | 40500008 | KEY UNI 6604 A 8x7x45 | 1 | | | | | |
| 79 | 42600012 | STANDARD PTO-SHAFT II CATEGORY L=1000 | 2 | | | | | |
| 90 | 40100020 | SCREW UNI 5933 M12X25 | 1 | | | | | |

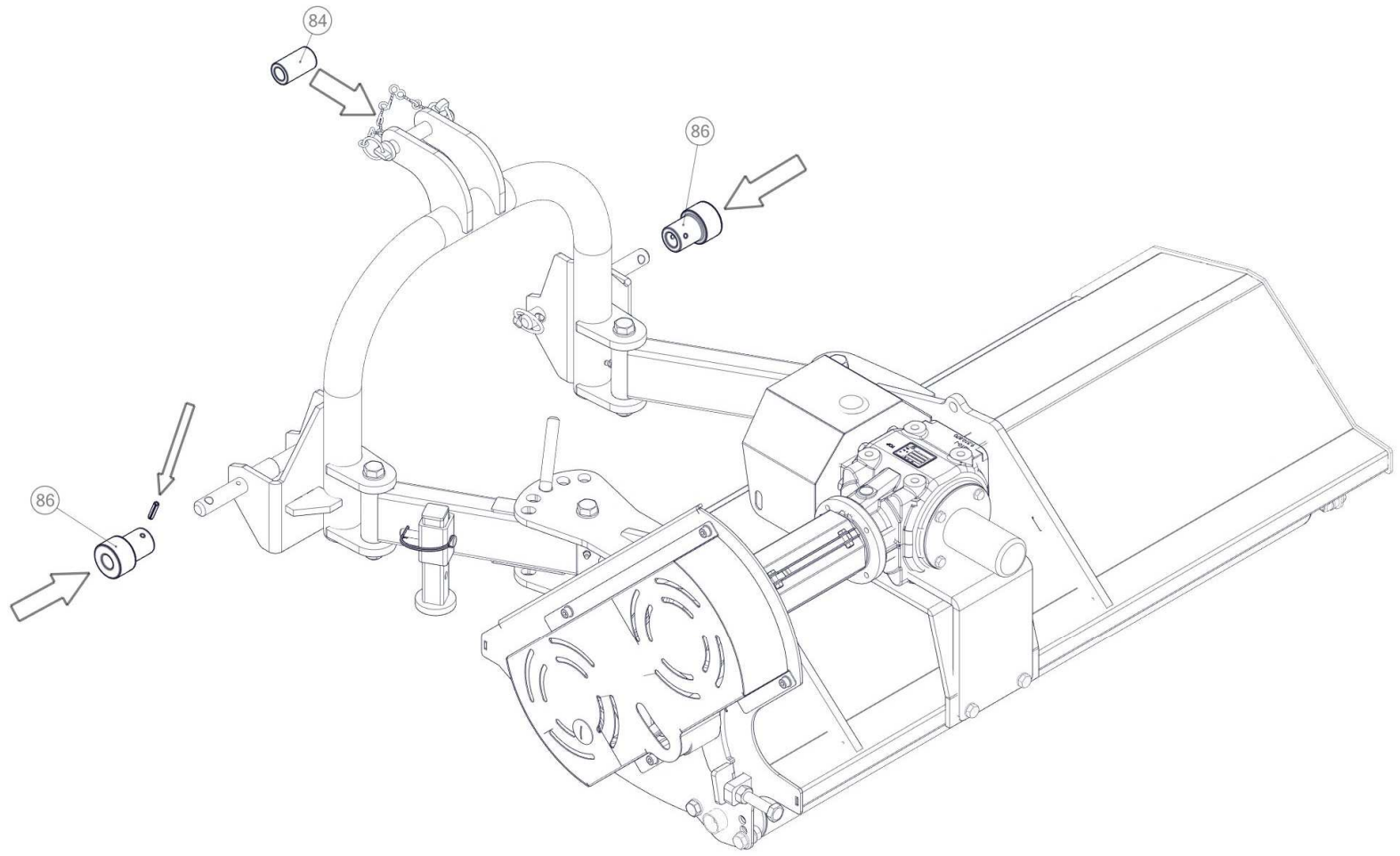


| | M02 | FUNNY TOP | 80 | 106 | 132 | 158 | 93 | 119 |
|---------------|------------|-----------------------------------|-------------|-------------|-------------|-------------|-------------|-------------|
| ID BOM | P/N | Description | Q.TY | Q.TY | Q.TY | Q.TY | Q.TY | Q.TY |
| 65 | URC061AVDC | ROTOR FUNNY 80 WITH Y-BLADES | 1 | | | | | |
| 65 | URC061BVDC | ROTOR FUNNY 106 WITH Y-BLADES | | 1 | | | | |
| 65 | URC061CVDC | ROTOR FUNNY 132 WITH Y-BLADES | | | 1 | | | |
| 65 | URC061DVDC | ROTOR FUNNY 158 WITH Y-BLADES | | | | 1 | | |
| 65 | URC061EVDC | ROTOR FUNNY 93 WITH Y-BLADES | | | | | 1 | |
| 65 | URC061FVDC | ROTOR FUNNY 119 WITH Y-BLADES | | | | | | 1 |
| 65.1 | URC060AVD | ROTOR 80 | 1 | | | | | |
| 65.1 | URC060BVD | ROTOR 106 | | 1 | | | | |
| 65.1 | URC060CVD | ROTOR 132 | | | 1 | | | |
| 65.1 | URC060DVD | ROTOR 158 | | | | 1 | | |
| 65.1 | URC060EVD | ROTOR 93 | | | | | 1 | |
| 65.1 | URC060FVD | ROTOR 119 | | | | | | 1 |
| 65.2 | URC411D | Y-BLADE SPACER FLIPPER 80-106-132 | 32 | | | | | |
| 65.3 | URC405D | Y-BLADE DELM 0005 FUNNY | 32 | | | | | |
| 65.4 | 40300065 | WASHER CONTACT 12X27X1.8 UNI 7604 | 32 | | | | | |
| 65.5 | 40100148 | SCREW UNI 5738 M12X75 PF GR | 16 | | | | | |
| 65.6 | 40200137 | NUT MB12 DIN 980 CONELOCK | 16 | | | | | |
| 66 | URC061AVDM | ROTOR FUNNY 80 HAMMERS | 1 | | | | | |
| 66 | URC061BVDM | ROTOR FUNNY 106 HAMMERS | | 1 | | | | |
| 66 | URC061CVDM | ROTOR FUNNY 132 HAMMERS | | | 1 | | | |
| 66 | URC061DVDM | ROTOR FUNNY 158 HAMMERS | | | | 1 | | |
| 66 | URC061EVDM | ROTOR FUNNY 93 HAMMERS | | | | | 1 | |
| 66 | URC061FVDM | ROTOR FUNNY 119 HAMMERS | | | | | | 1 |
| 66.2 | URC419D | HAMMERS 0071-FUNNY | 16 | | | | | |
| 66.3 | 40300065 | WASHER CONTACT 12X27X1.8 UNI 7604 | 32 | | | | | |
| 66.4 | 40100148 | SCREW UNI 5738 M12X75 PF GR | 16 | | | | | |
| 66.5 | 40200137 | NUT MB12 DIN 980 CONELOCK | 16 | | | | | |

| | M02 | FUNNY TOP | 80 | 106 | 132 | 158 | 93 | 119 |
|---------------|------------|-----------------------------------|-------------|-------------|-------------|-------------|-------------|-------------|
| ID BOM | P/N | Description | Q.TY | Q.TY | Q.TY | Q.TY | Q.TY | Q.TY |
| 72 | URC061AVDS | ROTOR FUNNY 80 SPATULES | 1 | | | | | |
| 72 | URC061BVDS | ROTOR FUNNY 106 SPATULES | | 1 | | | | |
| 72 | URC061CVDS | ROTOR FUNNY 132 SPATULES | | | 1 | | | |
| 72 | URC061DVDS | ROTOR FUNNY 158 SPATULES | | | | 1 | | |
| 72 | URC061EVDS | ROTOR FUNNY 93 SPATULES | | | | | 1 | |
| 72 | URC061FVDS | ROTOR FUNNY 119 SPATULES | | | | | | 1 |
| 72.2 | URC401D | SPATULE SICM 0049 FLIPPER- FUNNY | 16 | | | | | |
| 72.3 | URC411D | Y-BLADE SPACER FLIPPER 80-106-132 | 32 | | | | | |
| 72.4 | 40300065 | WASHER CONTACT 12X27X1.8 UNI 7604 | 32 | | | | | |
| 72.5 | 40100148 | SCREW UNI 5738 M12X75 PF GR | 16 | | | | | |
| 72.6 | 40200137 | NUT MB12 DIN 980 CONELOCK | 16 | | | | | |



| | L02 | FUNNY TOP | |
|---------------|------------|--------------------------|-------------|
| ID BOM | P/N | Description | Q.TY |
| 3 | URC079VD | STAND SUPPORT FUNNY | 1 |
| 4 | 42500002 | PLUG 30x30 | 1 |
| 23 | 41300001 | SPRING PIN D10 | 4 |
| 26 | URC092VD | RIGHT ARM FUNNY TOP | 1 |
| 27 | URC093SD | LEFT HARM FUNNY TOP | 1 |
| 28 | AS185ZD | HITCH PIN CATEGORY 1 | 1 |
| 30 | URC321D | ARM WASHER TOP | 4 |
| 35 | 40600001 | GREASER M6 | 10 |
| 57 | 40300006 | WASHER D16 UNI 6592 | 6 |
| 58 | 40200008 | NUT M16 DIN 980 CONELOCK | 4 |
| 59 | 40100113 | SCREW UNI 5737 M16X130 | 2 |
| 60 | 40100247 | SCREW UNI 5737 M16X140 | 2 |
| 61 | 41500001 | HOES PIN D10 L70 | 1 |
| 83 | DIV055VD | 3-POINT HITCH TOP NA | 1 |
| | | | |
| 85 | HOL176ZD | HITCH PIN | 2 |
| | | | |
| 87 | 42300001 | SPRING PIN 6X30 UNI6873 | 2 |
| 88 | 43700012 | SPRING PIN WITH CHAIN | 1 |
| 89 | HOL210ZD | HITCH SPACER URT-HOLIDAY | 2 |



| | ATT.01 | QUICK HITCH FOR NORTH AMERICA | |
|---------------|---------------|--------------------------------------|-------------|
| ID BOM | P/N | Description | Q.TY |
| 84 | TNG301ZD | 3-POINT HITCH WASHER - QUICK HITCH | 1 |
| 86 | TNG302ZD | LOWE HITCH WASHER - QUICK HITCH | 2 |

