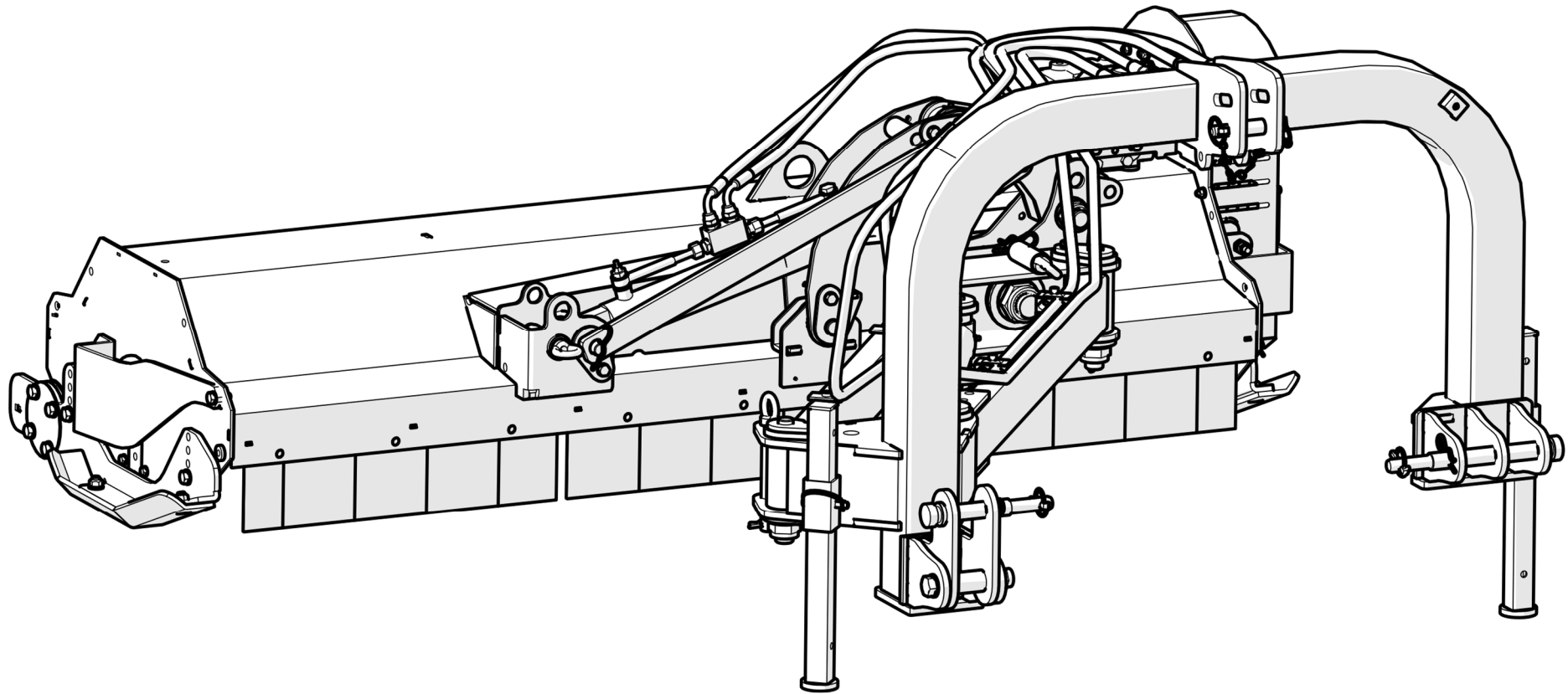




TL73 HYDRAULIC OFFSET FLAIL MOWER



CONTENTS

METAL SHEETS	4
SIDE-SHIFT	8
3-BELT TRANSMISSION MECHANISMS	12
4-BELT TRANSMISSION MECHANISMS	16
ROTORS	20
HYDRAULIC SYSTEM	22

REFERENCE TABLE L01

METAL SHEETS

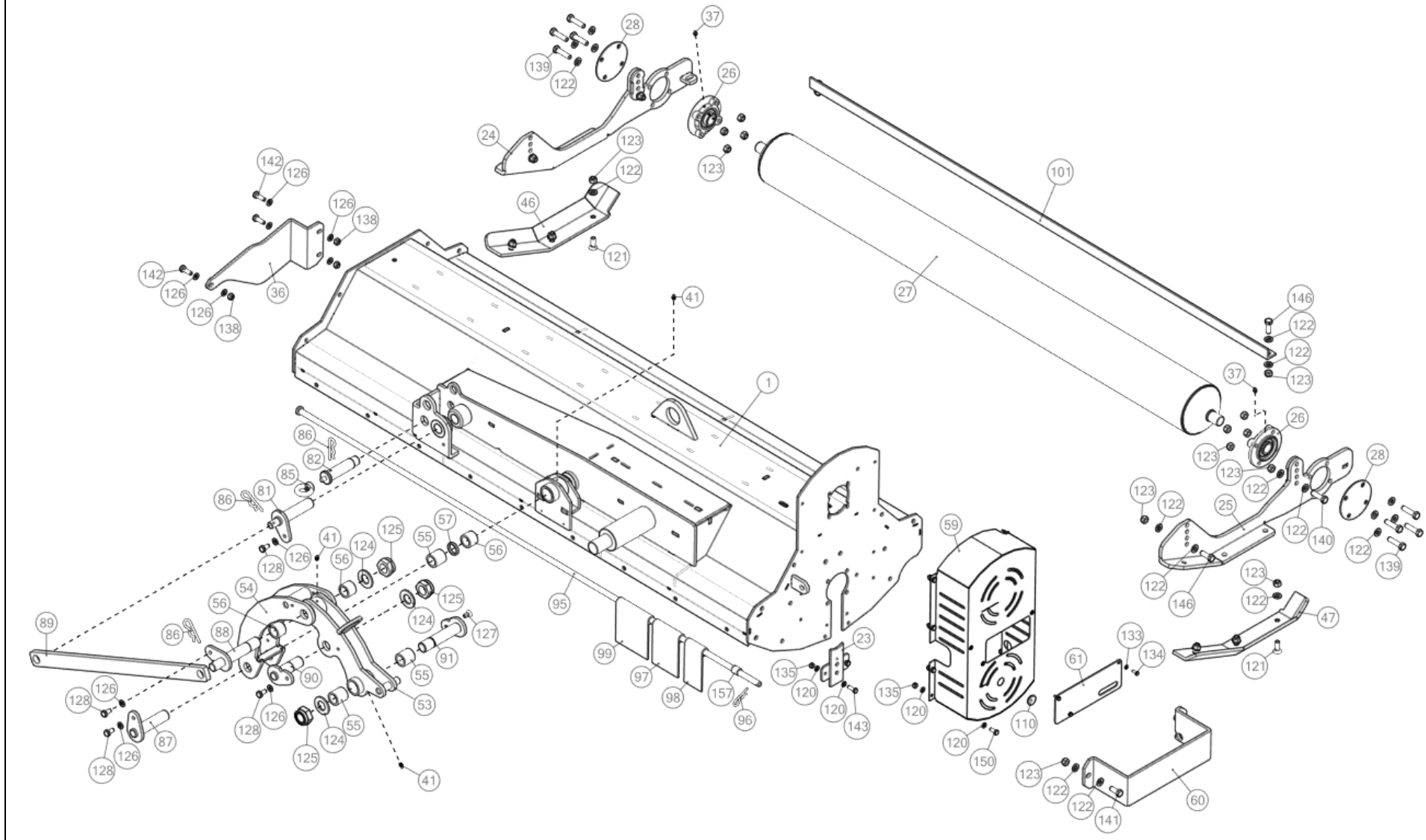


TABLE L01				
ID	P/N	DESCRIPTION		QTY
1	NFS050AVD	FRAME		-
1	NFS050BVD	FRAME		-
1	NFS050CVD	FRAME		1
23	NFS064VD	PLUG		2
24	NFS060VD	SKID		1
25	NFS061VD	SKID		1
26	42400008	SUPPPORT WITH BEARING		2
27	URC144CVD	ROLLER		-
27	URC144DVD	ROLLER		-
27	URC144EVD	ROLLER		1
28	URC669VD	PLUG		2
36	NFS194VD	PROTECTION		1
37	40600001	GREASER		2
41	40600003	GREASER		3
46	NFS205VD	SLIDING BLOCK		1
47	NFS206VD	SLIDING BLOCK		1
53	NFS055VD	CONNECTING ROD		1
54	NFS056VD	CONNECTING ROD		1
55	41000072	BUSH		3
56	41000073	BUSH		3
57	NFS218D	BUSH		1
59	NFS054VD	CARTER		1
60	NFS225VD	PROTECTION		1
61	NFS187VD	PLUG		1
81	LEV063ZD	PIN		1
82	LEV224ZD	PIN		1
85	40100444	EYEBOLT		1
86	41400002	SPLIT PIN		3
87	LEV073ZD	PIN		1

TABLE L01				
ID	P/N	DESCRIPTION		QTY
88	NFS059ZD	PIN		1
89	NFS188VD	BRACKET		1
90	NFS068ZD	PIN		1
91	NFS066ZD	PIN		1
95	NFS057AVD	AXLE		-
95	NFS057BVD	AXLE		-
95	NFS057CVD	AXLE		1
96	41400003	SPLIT PIN		1
97	URC217VD	PROTECTION L= 105		3
98	URC215VD	PROTECTION L=70		2
99	URC214VD	PROTECTION L=130		10
101	NFS182AVD	SCRAPER		1
101	NFS182BVD	SCRAPER		1
101	NFS182CVD	SCRAPER		1
110	42500048	PLUG		1
120	40300002	WASHER		24
121	40100313	SCREW		6
122	40300004	WASHER		30
123	40200006	NUT		22
124	40300016	WASHER		3
125	40200056	NUT		3
126	40300003	WASHER		10
127	40100217	SCREW		1
128	40100030	SCREW		4
133	40300035	WASHER		3
134	40100087	SCREW		3
135	40200002	NUT		12
138	40200003	NUT		3
139	40100083	SCREW		8

TABLE L01				
ID	P/N	DESCRIPTION		QTY
140	40100061	SCREW		2
141	40100014	SCREW		2
142	40100012	SCREW		3
143	40100076	SCREW		4
146	40100015	SCREW		4
150	40100077	SCREW		8
157	URC218VD	BUSH		2

REFERENCE TABLE L02

SIDE-SHIFT

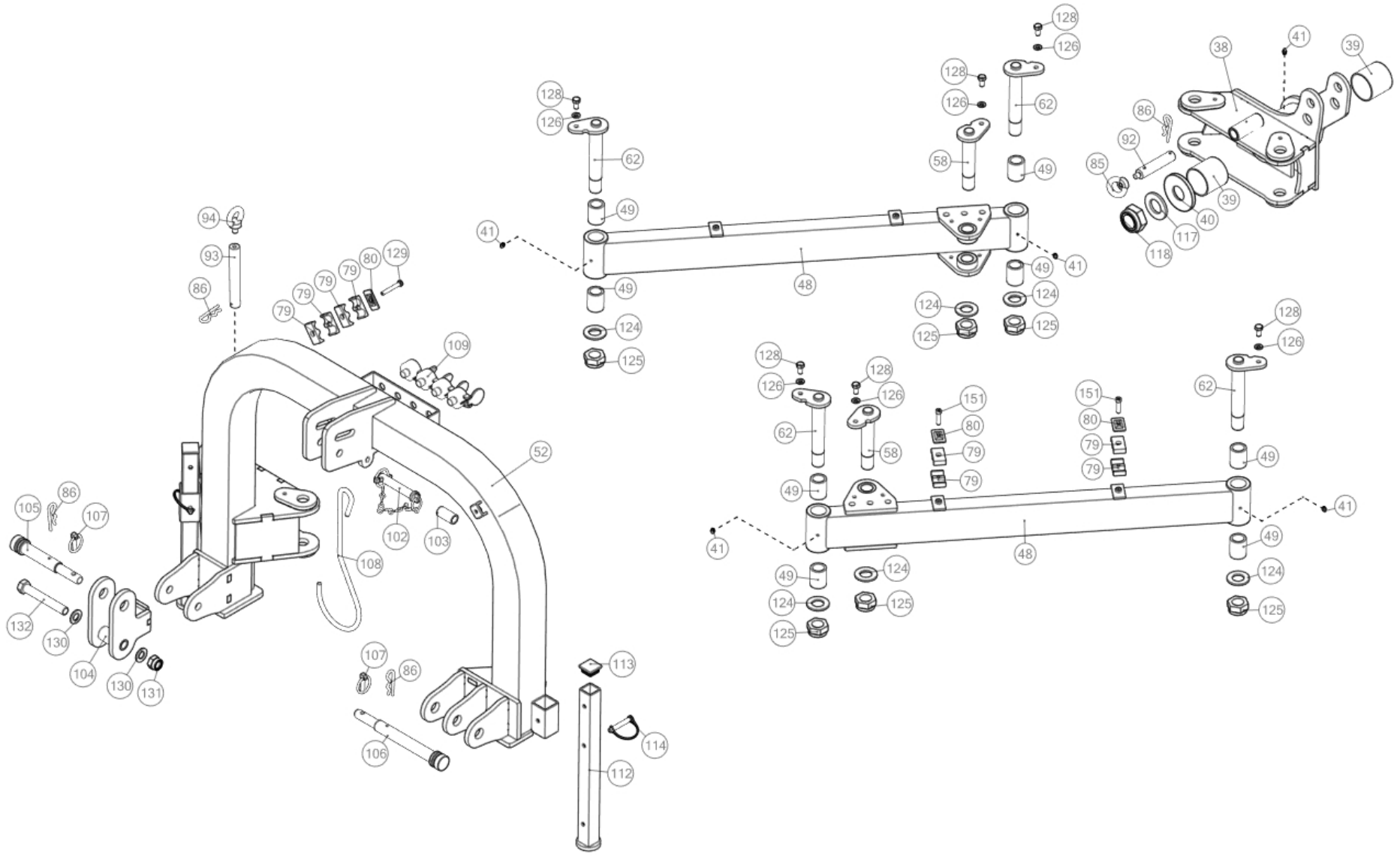


TABLE L02			
ID	P/N	DESCRIPTION	QTY
38	NFS052VD	HINGE	1
39	41000057	BUSH	2
40	LEV222VD	WASHER	1
41	40600003	GREASER	5
48	NFS053VD	ARM	2
49	41000074	BUSH	8
52	NFS051VD	3 POINT HITCH	1
58	NFS062ZD	PIN	2
62	NFS058ZD	PIN	4
71	URC765VD	SUPPORT	1
79	43600304	SUPPORT	8
80	43600303	PLATE	3
85	40100444	EYEBOLT	1
86	41400002	SPLIT PIN	4
92	LEV227ZD	PIN	1
93	LEV226ZD	PIN	1
94	40100201	EYEBOLT	1
102	43700012	CHAIN SPLIT PIN	1
103	URC421ZD	BUSH	1
104	NFS065VD	CONNECTING ROD	1
105	NFS328ZD	PIN	1
106	NFS329ZD	PIN	1
107	41300001	SPRING PIN	2
108	41800022	SUPPORT	1
109	43600223	SUPPORT	4
112	LEV075VD	SUPPORT STAND	2
113	42500043	PLUG	2
114	41500001	PIN	2
117	40300034	WASHER	1

TABLE L02			
ID	P/N	DESCRIPTION	QTY
118	40200183	NUT	1
124	40300016	WASHER	6
125	40200056	NUT	6
126	40300003	WASHER	7
128	40100030	SCREW	6
129	40100227	SCREW	1
130	40300007	WASHER	2
131	40200017	NUT	1
132	40100242	SCREW	1
151	40100003	SCREW	2
152	40300089	WASHER	2
153	40300031	WASHER	2
154	40100346	SCREW	2

REFERENCE TABLE M01

3-BELT TRANSMISSION MECHANISMS

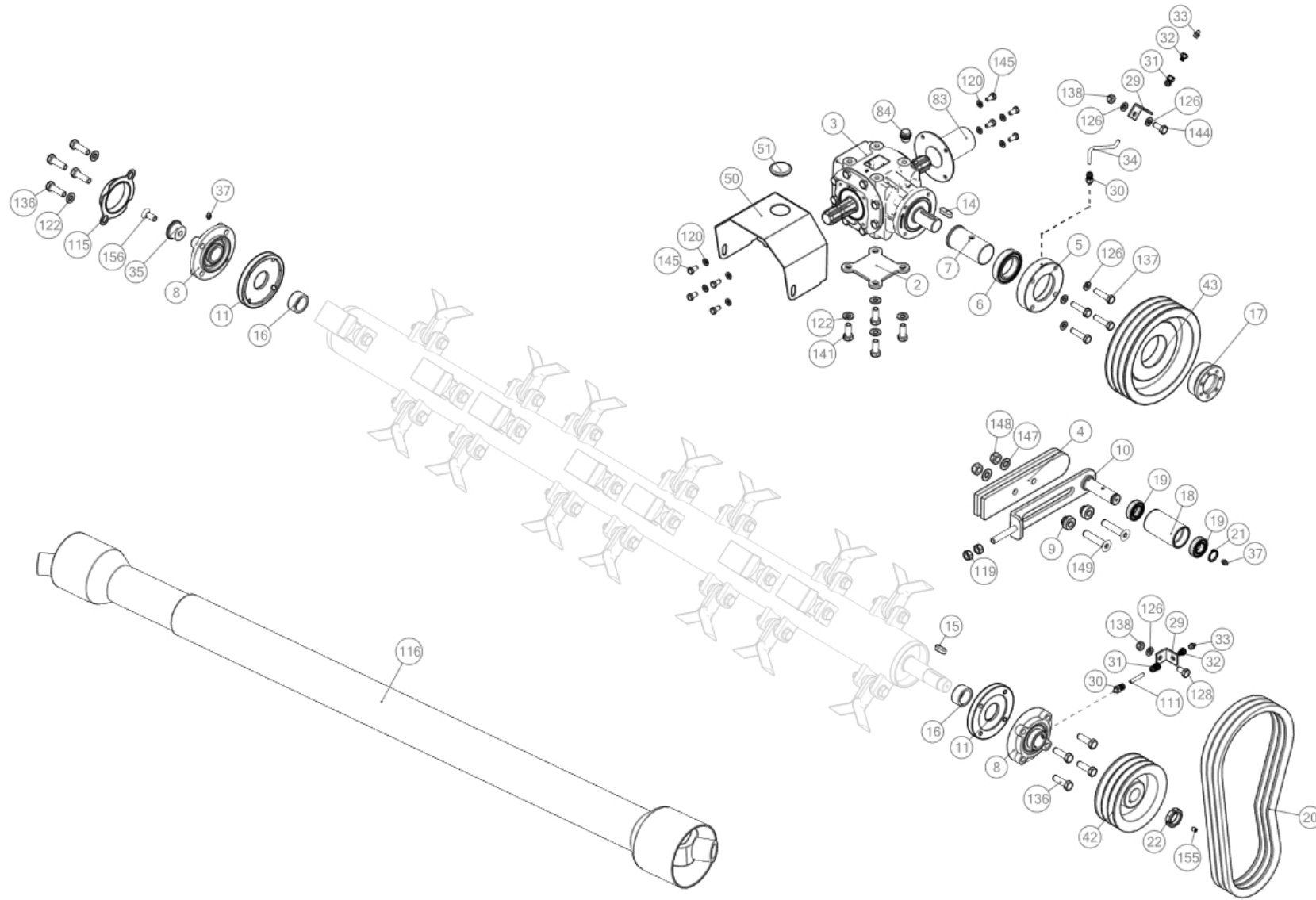


TABLE M01			
ID	P/N	DESCRIPTION	QTY
2	NFS230VD	GAUGE	1
3	42000031	GEARBOX	1
4	NFS185VD	SPACER	2
5	NFS313VD	FLANGE	1
6	41000076	BEARING	1
7	TTSNFS335D	SHAFT	1
8	42400018	SUPPPORT WITH BEARING	2
9	TTSURC412D	BUSH	2
10	NFS070VD	TENSIONER	1
11	NFS314VD	FLANGE	2
14	40500004	KEY	1
15	40500017	KEY	1
16	DIV174D	BUSH	2
17	43700049	KEYLESS LOCKING DEVICE	1
18	NFS332D	ROLLER	1
19	41000030	BEARING	2
20	42800046	BELT	3
21	40400007	SEEGER	1
22	40700001	METAL RING	1
29	LEV326VD	SUPPORT	2
30	43000022	FITTING	2
31	43000002	FITTING	2
32	43000003	NIPPLE	2
33	40600002	GREASER	2
34	43000025	PIPE	1
35	NFS316D	LOCK	1
37	40600001	GREASER	2
42	URC205D	PULLEY	1
43	URC348D	PULLEY	1

TABLE M01			
ID	P/N	DESCRIPTION	QTY
50	URC296VD	PROTECTION	1
51	42500022	PLUG	1
83	41900007	PROTECTION	1
84	43600354	PLUG	1
111	43000013	PIPE	1
115	NFS063VD	PLUG	1
116	42600129	STANDARD PTO-SHAFT	1
116	42600132	HOMOKINETIC PTO-SHAFT	1
119	40200012	NUT	2
120	40300002	WASHER	8
122	40300004	WASHER	6
126	40300003	WASHER	7
128	40100030	SCREW	1
136	40100023	SCREW	8
137	40100197	SCREW	4
138	40200003	NUT	2
141	40100014	SCREW	4
144	40100043	SCREW	1
145	40100042	SCREW	8
147	40300009	WASHER	2
148	40200011	NUT	2
149	40100171	SCREW	2
155	43200003	SET SCREW	1
156	40100312	SCREW	1

REFERENCE TABLE R01

ROTORS

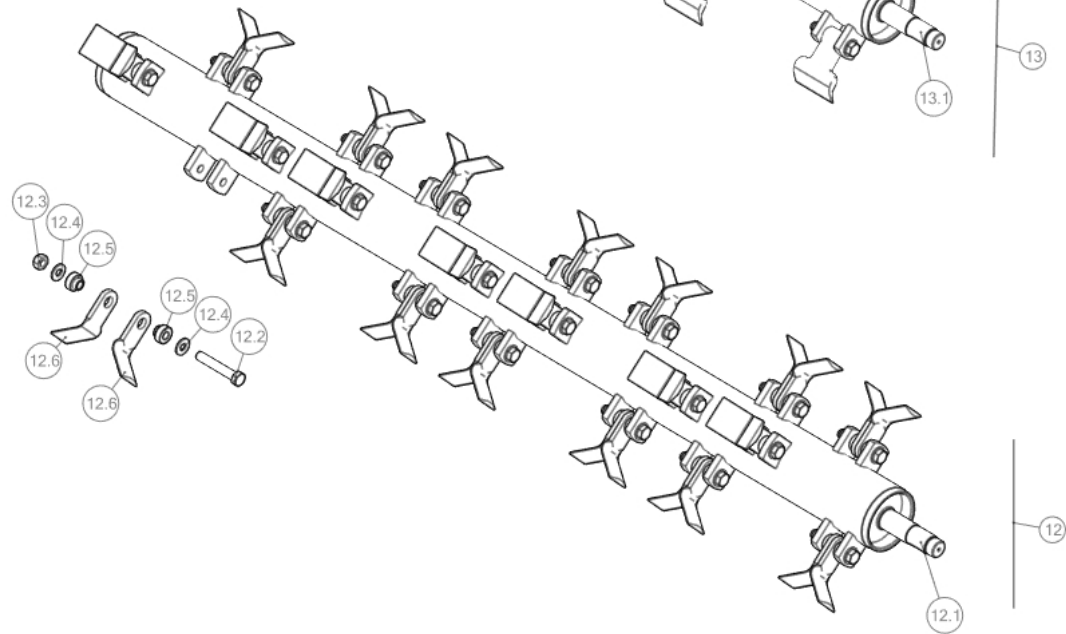
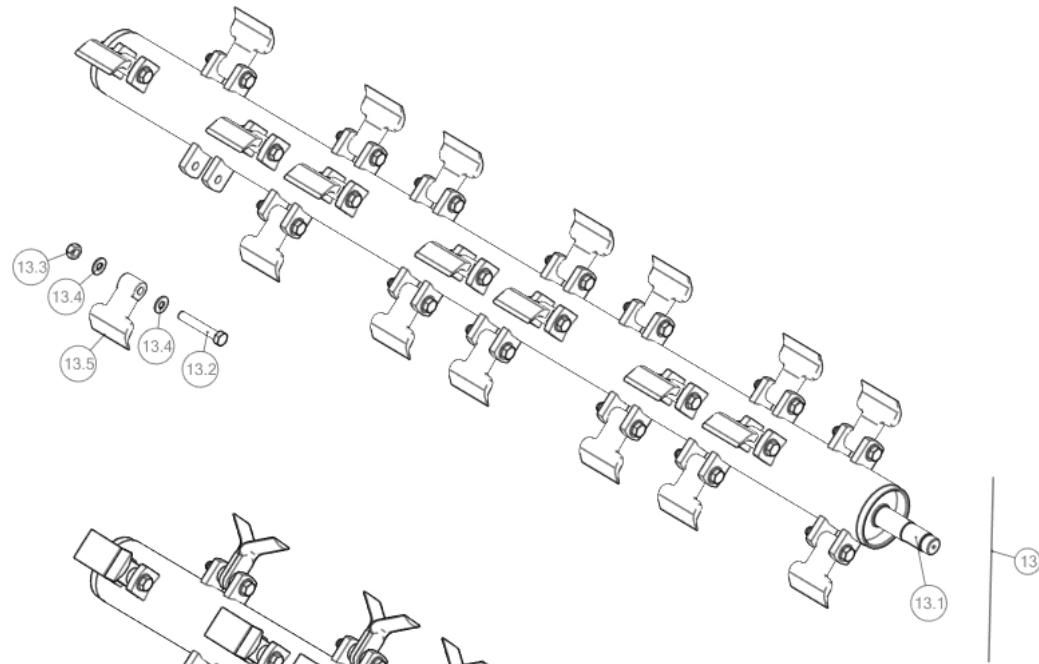


TABLE R01			
ID	P/N	DESCRIPTION	QTY
12	URC087CVDC	ROTOR WITH Y-BLADES	-
12	URC087DVDC	ROTOR WITH Y-BLADES	-
12	URC087EVDC	ROTOR WITH Y-BLADES	1
12.1	URC087CVD	ROTOR	-
12.1	URC087DVD	ROTOR	-
12.1	URC087EVD	ROTOR	1
12.2	40100204	SCREW	28
12.3	40200011	NUT	28
12.4	40300064	WASHER	56
12.5	TTSURC412D	SPACER	56
12.6	URC404D	Y-BLADE	56
13	URC087CVDM	ROTOR WITH HAMMERS	-
13	URC087DVDM	ROTOR WITH HAMMERS	-
13	URC087EVDM	ROTOR WITH HAMMERS	1
13.1	URC087CVD	ROTOR	-
13.1	URC087DVD	ROTOR	-
13.1	URC087EVD	ROTOR	1
13.2	40100204	SCREW	28
13.3	40200011	NUT	28
13.4	40300064	WASHER	56
13.5	URC400D	HAMMER	28

REFERENCE TABLE H01

HYDRAULIC SYSTEM

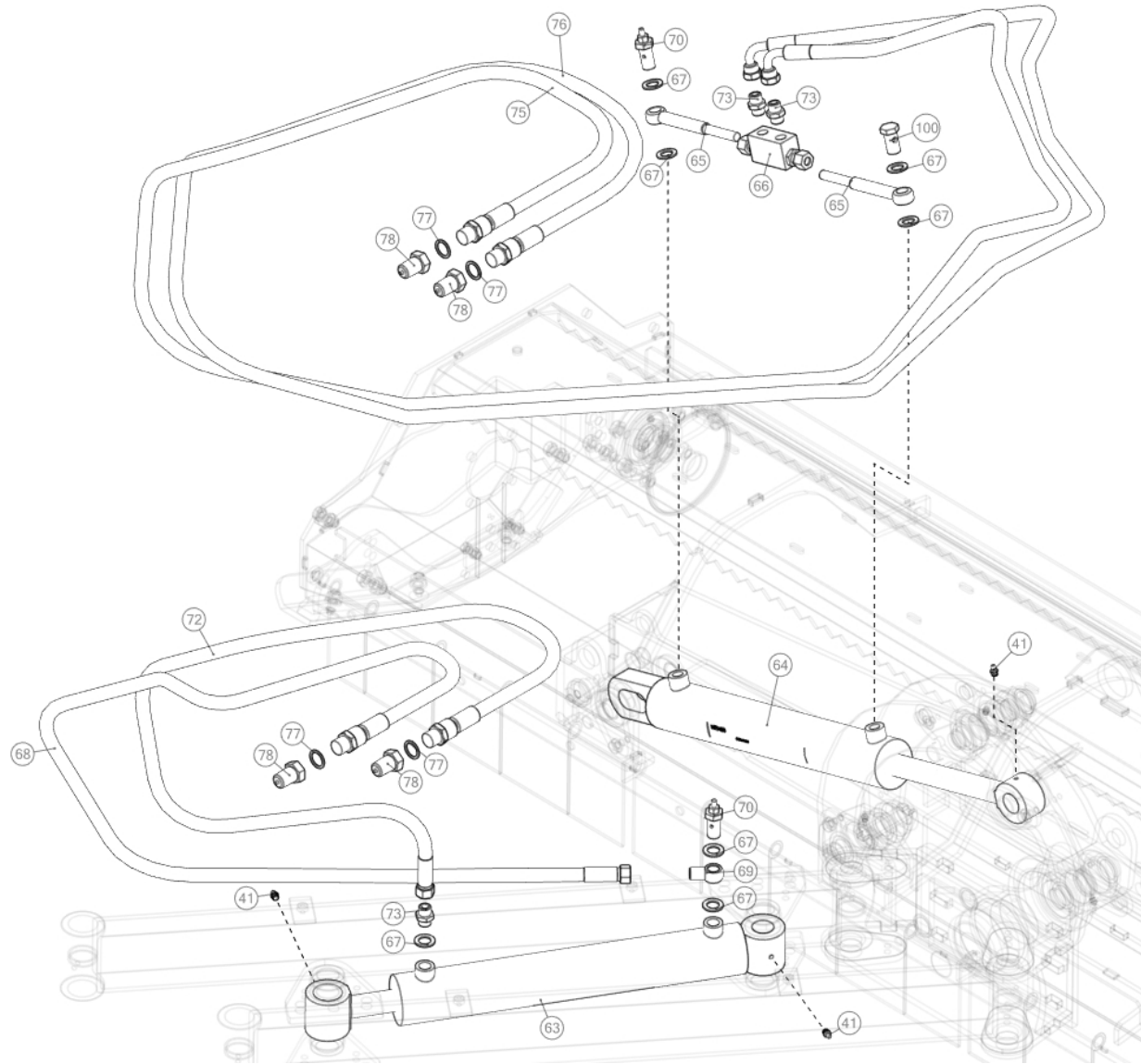


TABLE H01			
ID	P/N	DESCRIPTION	QTY
41	40600003	GREASER	3
63	LEV153D	CYLINDER	1
64	NFS450D	CYLINDER	1
65	43600307	EYEBOLT	2
66	43600306	VALVE	1
67	40300049	WASHER	7
68	43600299	PIPE	1
69	43600032	EYEBOLT	1
70	43600305	VALVE	2
72	43600299	PIPE	1
73	43600011	NIPPLE	3
75	43600301	PIPE	1
76	43600301	PIPE	1
77	40300001	WASHER	4
78	43600012	CONNECTION	4
100	43600049	EYE SCREW	1